

A3

FLEXFLO® Peristaltic Metering Pump



Features

- > Self priming chemical metering pump delivers smooth chemical feed
- > Tube Failure Detection (TFD) senses tube rupture
- > Signal inputs include: 4-20mA, Pulse Inputs, Frequency Inputs
- > Signal outputs include: 4-20mA Output, Frequency Output, one 250V/6 AMP relay output, three 115V/1A

Video link: 



Highlights

Flow range

.001 – 33.3 GPH
.003 – 126 LPH

Pressures

125 PSI
(8.6 bar)

Turndown ratio

2,500 : 1

Exclusive

Tube Failure Detection
(TFD)

Motor

Brushless
DC Motor

Warranty

2 Years

Control Methods

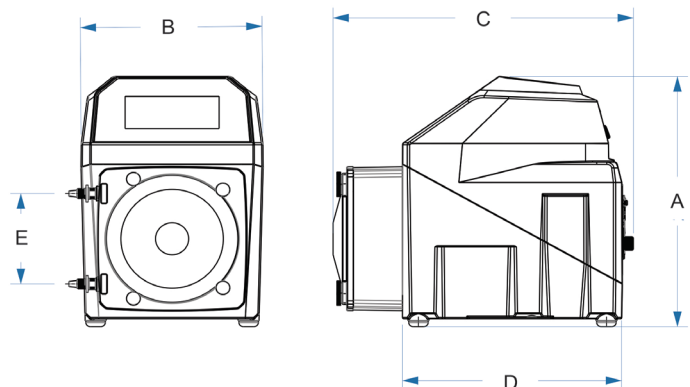
Control Methods	Manual Control	4-20mA Input	Remote Start/Stop	Pulse Input	Frequency Input	Ethernet/IP	Modbus TCP/IP	Profibus	Alarm Outputs	FVS	Relay Output
A3V	•	•	•	•	•	•	•	•	•	•	•



Maximum Working Pressure (excluding pump tubes)	125 psig (8.6 bar) NOTE: see individual pump tube assembly max. pressure ratings.
Maximum Fluid Temperature (excluding pump tubes)	185 °F (85 °C) NOTE: see individual pump tube assembly max. temperature ratings.
Ambient Operating Temperature	14 °F to 115 °F (-10 °C to 46 °C)
Ambient Storage Temperature	-40 °F to 158 °F (-40 °C to 70 °C)
Maximum Viscosity	12,000 Centipoise
Maximum Suction Lift	30 ft. Water, 0 psig (9.14 m, 0 bar)
Operating Voltage	115VAC/60Hz, 1ph (2.0 Amp Maximum)
	230VAC/60Hz, 1ph (1.0 Amp Maximum)
	220VAC/50Hz, 1ph (1.0 Amp Maximum)
	240VAC/50Hz, 1ph (1.0 Amp Maximum)
	230VAC/50Hz, 1ph (1.0 Amp Maximum)
Power Cord Options	115V60Hz = NEMA 5/15 (USA)
	230V60Hz = NEMA 6/15 (USA)
	220V50Hz = CEE 7/VII (EU)
	240V50Hz = AS 3112 (Australia/New Zealand)
	230V50Hz = BS 1363/A (UK)
Motor	Brushless DC
Motor Speed Adjustment Range	2,500:1 (0.04% – 100%) Max rpm = 125 rpm
Motor Speed Adjustment Resolution	0.1% increments > 1% motor speed and < 100%
	0.01% increments < 1% motor speed
Display	5" touchscreen color LCD, UV resistant
Display Languages	English, Spanish, French, German, and Portuguese selectable
Security	Programmable 6-digit password
Maximum Overall Dimensions	8-1/4"W x 11-3/4"H x 13-1/4"D (20.9W x 29.8H x 34.5D cm)
Product Weight	25.4lb. (11.5 Kg)
Approximate Shipping Weight	30 lb. (13.6 Kg)
Enclosure	NEMA 4X (IP66), Polyester powder coated aluminum & Noryl
RoHS Compliant	Yes
Standards	cETLus, CE

Dimensions

Dim	Inch	cm	Dim	Inch	cm
A	11-3/4"	29.8	D	10-1/2"	26.5
B	8-1/4"	20.9	E	4-1/4"	10.8
C	13-1/2"	34.5			



Non-wetted Components:

Enclosure: 413 Aluminum (Polyester powder coated) & Noryl

Pump Head: Valox® (PBT) thermoplastic

Pump Head Cover: Polycarbonate

Permanently lubricated sealed motor shaft support ball bearing.

Cover Screws: Stainless steel, polypropylene cap

Roller Assembly:

Rotor: Valox® (PBT)

Rollers: Nylon

Roller Bearings: SS Ball bearings

Motor Shaft: Chrome plated steel

TFD System Sensor: Hastelloy C-276

Power Cord: 3 conductor, SJTW-A water-resistant

Tube Installation Tool: GF nylon

Mounting Brackets and Hardware: 316 Stainless steel

Wetted Components:

Pump Tube Assembly:

Tubing: Flex-A-Prene®, Flex-A-Chem or Flex-A-Thane®

Adapter Fittings: PVDF

Body & Insert: PVDF

Check Ball: Ceramic

Injection / Back-Flow Check Valve:

Spring: Hastelloy C-276

Ball Seat O-Ring: TFE/P (optional EPDM)

Static Seal O-Ring: TFE/P (optional EPDM)

Ancillary Items Provided:

Suction Tubing: 3/8" OD x 1/4" ID x 10' Clear PVC

With "S" Tubing Type Only:

Discharge Tubing: 3/8" OD x 1/4" ID x 10' Polyethylene

Suction Strainer: PVDF

(Available for ND, NKL, NGG, NEE, G2G)

Suction Strainer:

Body: PVDF

With "B" Tubing and "M" M/NPT Connections Only:

Check Ball: Ceramic

Ball Seat O-Ring: TFE/P (Optional EP)

(Available on ND, NKL, NGG, NEE, and G2G only)

With "C" Tri-clamp

Suction Strainer: PVDF

With "Q" Quick Disconnect Connections* Only:

(Available on G2G, ND, NEE, NGG, NKL only)

Output Specifications

Tube Material / Size	Feed Rate			Max Pressure	Max Temperature
	GPH	LPH	mL/min	PSI (bar)	°F (°C)
Flex-A-Prene®					
ND	.001 - 2.1	.003 - 7.8	.06 - 132	125 (8.6)	185 (85)
NEE	.002 - 4.76	.007 - 18.0	.12 - 300	110 (7.6)	185 (85)
NGG	.007 - 19.02	.026 - 72.0	.48 - 1200	110 (7.6)	185 (85)
NHL	.006 - 17.39	.022 - 65.8	.38 - 1097	65 (4.5)	185 (85)
NJ	.010 - 25.3	.038 - 96.0	.63 - 1596	125 (8.6)	185 (85)
NK	.013 - 33.3	.050 - 126.0	.82 - 2100	125 (8.6)	185 (85)
NKL	.013 - 33.3	.050 - 126.0	.82 - 2100	30 (2.1)	185 (85)
Flex-A-Chem®					
TH	.006 - 15.06	.022 - 57.0	.38 - 950	50 (3.4)	130 (54)
TK	.011 - 28.5	.043 - 108	.72 - 1800	50 (3.4)	130 (54)
Flex-A-Thane®					
GE	.002 - 4.60	.007 - 17.4	.13 - 290	65 (4.5)	130 (54)
GG	.004 - 10.1	.015 - 38.4	.25 - 637	65 (4.5)	130 (54)
GH	.010 - 24.9	.038 - 94.2	.63 - 1570	65 (4.5)	130 (54)
GK	.011 - 28.5	.043 - 108.0	.72 - 1800	65 (4.5)	130 (54)
G2G	.007 - 18.23	.03 - 69.0	.46 - 1150	65 (4.5)	130 (54)

FLEXFLO® Model Number

A3	FLEXFLO® A3 Peristaltic Metering Pump								
Power Cord (operating voltage requirement 96VAC to 264VAC)									
4	115V / 60HZ, power cord NEMA 5/15 plug (US)								
5	230V / 60HZ, power cord NEMA 6/15 plug (US)								
6	220V / 50HZ, power cord CEE 7/VII plug (EU)								
8	240V / 50HZ, power cord AS 3112 plug (AU/New Zealand)								
9	230V / 50HZ, power cord BS 1363 plug (UK)								
X	No Power Cord								
Inlet/Outlet Connection Size, Connection Type, Connection Material									
S	3/8" OD x 1/4" ID Tube Compression Fitting, Natural PVDF (Kynar)								
M	1/2" Male NPT Fitting, Natural PVDF (Kynar)								
B	1/2" ID Tubing Barb Fitting, Natural PVDF (Kynar), available for ND, NKL, NEE, NGG, and G2G								
C	1/2"-3/4" Tri-clamp connections, Natural PVDF (Kynar), available for ND, NKL, NEE, NGG, and G2G only								
Q	Quick Disconnect, Natural PVDF (Kynar): ND, NKL, NEE, NGG, and G2G only. (Valves sold separately)								
MB	1/2" Male BSPT Fitting, Natural PVDF (Kynar)								
Pump Tube Material, Pump Tube Size									
ND	Flex-A-Prene® .075 ID .001-2.1 GPH 125 PSI	GE	Flex-A-Thane® .125 ID .002-4.60 GPH 65 PSI						
NEE*	Flex-A-Prene® .093 ID .002-4.76 GPH 110 PSI	GG	Flex-A-Thane® .187 ID .004-10.1 GPH 65 PSI						
NGG*	Flex-A-Prene® .187 ID .007-19.02 GPH 110 PSI	GH	Flex-A-Thane® .312 ID .010-24.9 GPH 65 PSI						
NJ	Flex-A-Prene® .312 ID .010-25.3 GPH 125 PSI	GK	Flex-A-Thane® .375 ID .011-28.5 GPH 65 PSI						
NK	Flex-A-Prene® .375 ID .013-33.3 GPH 125 PSI	G2G*	Flex-A-Thane® .187 ID .007-18.23 GPH 65 PSI						
NKL	Flex-A-Prene® .375 ID .013-33.3 GPH 30 PSI	TH	Flex-A-Chem® .250 ID .006-15.06 GPH 50 PSI						
NHL	Flex-A-Prene® .250 ID .006-17.39 GPH 65 PSI	TK	Flex-A-Chem® .375 ID .011-28.5 GPH 50 PSI						
Options (leave this blank for standard model with left facing head)									
1	TI40-6V Threadless injection check valve, replaces A-014NK-6A threaded check valve								
2	C340A Foot valve, replaces standard C-342 inlet strainer (no check valve)								
R	Right facing pump head, input / output (Left facing fluid input / output is standard)								
D	Down facing pump head, input / output (Left facing fluid input / output is standard)								
E	EP O-Rings								
A3	S	V	2	4	-	S	ND	1	Sample Model Number

NOTE: *Dual Tube