



Your Partner in Safety

Emergency Chlorine & SO2 Ton Container & Cylinder Valve Shutoff System

ECLIPSE™ ELECTRIC EMERGENCY VALVE ACTUATOR

Bulletin: 703

Features

- Confirms proper closing torque has been achieved - not just that the system activated
- Allows full manual operation of the valve with a standard chlorine wrench while actuator is installed
- Meets Chlorine Institute torque recommendations for *both* test & emergency closures
- Battery powered for a minimum of 3 days if AC power lost, followed by fail-safe automatic emergency close
- Still allows access to valve packing nut while in place
- Fire code approved alternative to a scrubber



The Eclipse™ emergency valve actuator automatically closes chlorine or sulfur dioxide ton container and 150 lb cylinder valves in the event of a system leak or emergency. The actuator and its controller are DC powered, with AC power only used for keeping the controller's internal battery optimally charged. In the event of a loss of AC charging power, the system continues to protect for three days or more. If AC power remains off for an extended period of time, the system will auto-initiate an emergency close while sufficient battery power is still available for proper shutoff.

When the controller receives a signal from a gas detector, emergency shutoff switch or other device, an emergency shutoff activation is initiated and the Eclipse actuator rapidly closes the ton container or cylinder valve. The controller measures the torque applied to the valve stem and confirms proper closing torque was achieved. This provides the operator with assurance that all valves are properly closed.

Two Eclipse actuators can be controlled by the Duplex II™ controller, and up to six Eclipse actuators can be controlled by the Hexacon III™ controller. Each controller includes a standard low voltage 24VDC relay output for remote indication of emergency close activation, with additional output relay and RS232 communication options available.

The Eclipse is compatible with standard valves meeting Chlorine Institute specifications and requires no tools or adapters for quick and easy installation on a CGA820 yoke connection. The Eclipse actuator can also be installed alongside all brands of direct mount vacuum regulators.



www.halogenvale.com



Your Partner in Safety

Emergency Chlorine & SO2 Ton Container & Cylinder Valve Shutoff System

ECLIPSE™ ELECTRIC EMERGENCY VALVE ACTUATOR

Bulletin: 703

Specifications

Materials

Drive Bushing:	Aluminum-Silicon Bronze C-642
Clamp Rod and Knob:	Aluminum-Silicon Bronze C-642
Shaft Bearings:	Aluminum-Silicon Bronze C-642
Drive Shaft:	Monel®
Clamp Rod Spring:	Hastelloy C-276
Seals:	Double O-ring, Teflon®/Viton®

Coating: 2-Part Epoxy Powder Coat

Standard Cable: 12 ft (3.7m), 4-Conductor
UL62, CSA Standard 22.2 No. 49
Optional lengths up to 40 ft (12.2m)

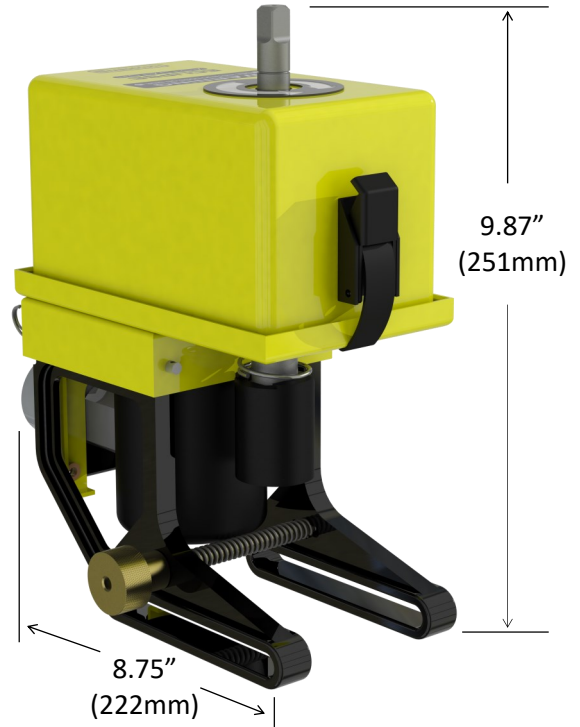
Power: 12 VDC (*provided via controller*)

Emergency Close Torque: 40-50 ft-lbs

Test Close Torque: 20-30 ft-lbs

Valve Compatibility: Chlorine Institute DWG's 110, 113

Yoke Compatibility: Chlorine Institute DWG's 189, 131



Model Information

Image	Model	Description
	6503.14	Duplex II Controller with: (1) Eclipse Actuator
	6504.14	(2) Eclipse Actuators
All systems come standard with Storage Bracket(s), Emergency Shutoff Switch, and Chlorine Valve Wrench		
	6603.03	Hexacon III Controller with: (3) Eclipse Actuators
	6604.03	(4) Eclipse Actuators
	6605.03	(5) Eclipse Actuators
	6606.03	(6) Eclipse Actuators
All systems come standard with Storage Brackets, Emergency Shutoff Switch and Chlorine Valve Wrench		

Options/Accessories

Part No.	Description
4101.01	Long Cable, Up to 40 ft (12.2m)
2202.00	Auxiliary Valve Adapter
6303.00	V-R Extension, for Direct Mount Vacuum Regulators
5151.00	Open Style Yoke
6888.00	Yoke to Pigtail Adapter
2196.00	Additional Actuator Storage Bracket

NOTE: Eclipse actuators require the Duplex II or Hexacon III controller for a complete emergency valve shutoff system. Actuators cannot operate stand alone.