



Your Partner in Safety

Emergency Chlorine

Cylinder Valve Shutoff System

ECLIPSE XP™ ELECTRIC EMERGENCY SHUTDOWN SYSTEMS

Bulletin: 803

For Low Torque Hand Wheel Style Chlorine And SO2 Valves



Features

- All electric / battery powered operation
- Experience: Over 7000 shutdown systems installed since 1996
- Torque Sense Technology*: Knows when valve is closed
- No Pneumatics: Maintenance free/very low power use
- Simplifies Installation: No separate storage kiosk required
- Closes valve in 1 second
- Up to 3 days of built-in battery backup
- Independent test buttons for each cylinder
- Shutdown via gas detectors, panic buttons or PLC
- 3-year warranty

**Patented Torque Sense Technology detects torque on the valve seat which allows operators to know that the valve is closed.*

The ECLIPSE XP™ electric emergency shutdown system uses a unique and modern approach to instantly stop the flow of chlorine or SO2 at the tank valve. In contrast to traditional pneumatic systems, the ECLIPSE XP electric actuators operate off of a 12 VDC battery located in the controller that is continuously charged via line voltage. Should the plant ever lose AC power to the controller, the battery has enough power to safely operate the system for up to 3 days and multiple

valve closures. Because the system can detect a spike in electrical current to the motor, the actuator is able to detect the torque that is generated as the valve begins to engage the valve seat. This unique and patented feature allows the operators to know that not only did they activate their system, but that the valve is actually closed. No other actuator on the market is able to make this claim.



Use with Duplex II
2 station Controller



Use with Hexacon III
6 station Controller



Use with Hand wheel style
Chlorine and SO2 Valves

Halogen Valve Systems, Inc.
1342 Bell Avenue, Suite 3C
Tustin, CA 92780 USA

www.halogenvalve.com



Your Partner in Safety

Emergency Chlorine Cylinder Valve Shutoff System

ECLIPSE XP™ ELECTRIC EMERGENCY SHUTDOWN SYSTEMS Bulletin: 803

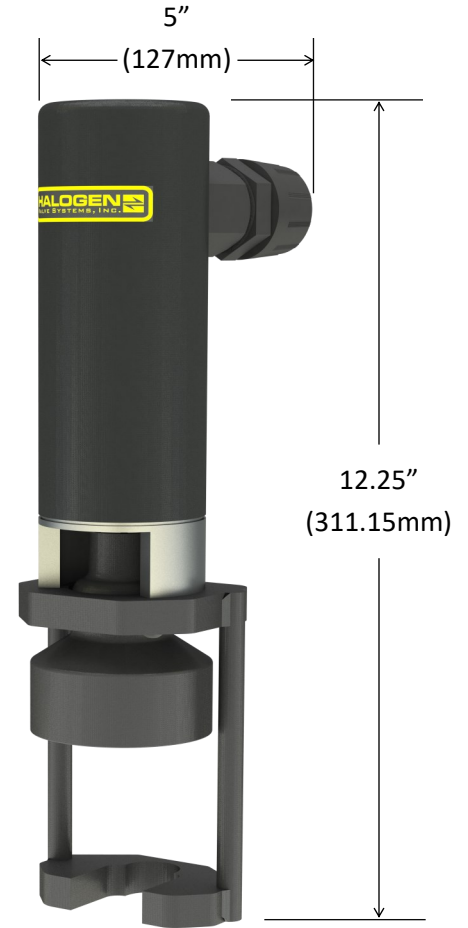
Specifications

Actuator Enclosure:	Epoxy Coated Aluminum, IP67/ NEMA 4X
Controller Enclosure:	Fiberglass, IP67/NEMA 4X
Cable:	3.6 m (12 ft) standard, 12 m (40 ft) max
Closing Torque:	11 N·m (8 ft-lb)
Battery Type:	12 VDC, 8.0 Amp-Hour, High Rate
Power Consumption:	Bulk Charge - 0.5 A @ 220 VAC max Idle - 100 mA @ 220 VAC max
Battery Backup Time:	Up to 3 days for multiple closures
Certifications:	

Model Information

Model	Description*
XPDS-1G	One (1) Eclipse XP Electric Actuator, One (1) Duplex II Controller
XPDS-2G	Two (2) Eclipse XP Electric Actuators, One (1) Duplex II Controller
XPHS-3G	Three (3) Eclipse XP Electric Actuators, One (1) Hexacon III Controller
XPHS-4G	Four (4) Eclipse XP Electric Actuators, One (1) Hexacon III Controller
XPHS-5G	Five (5) Eclipse XP Electric Actuators, One (1) Hexacon III Controller
XPHS-6G	Six (6) Eclipse XP Electric Actuators, One (1) Hexacon III Controller

*All systems come with one (1) Emergency Close button per controller and one(1) wall storage bracket



Options/Accessories

Part No.	Description
6430.00	Additional Emergency Close Button
4500.14-S	Relay Module, (3) Dry Contact Relays, choose from 10+ diagnostics
4502.01	SCADA Output, RS232 Serial port, 10+ Diagnostics