

SpillSafe LX™ DRUM SCALE

WITH INTEGRAL SECONDARY CONTAINMENT

HELPS YOU COMPLY
WITH EPA REGULATION
40 CFR 264.175

SAFELY TRACK
CHEMICAL USAGE
AND TANK LEVEL

CONTAINS SPILLS
AND LEAKS

66 GALLON
CONTAINMENT
CAPACITY

The SpillSafe LX™ Drum Scale monitors chemical usage and remaining inventory while providing total containment in case of a leak or spill. This combined system eliminates the headache of mixing and matching one manufacturer's scale with another's secondary containment system.

An epoxy powder coated steel platform securely holds the polyethylene spill containment pallet and four IP67 rated shear beam load cells located outside the spill containment vessel provide the highest accuracy weight measurement possible. The load cells are located under the platform and are further protected by removable polyethylene splash guards.

The initial 11 gallons of a leak or spill is contained directly beneath the drum in the polyethylene basin. A replaceable double layer polyethylene roll-out bladder deploys for larger spills and allows total containment of up to 66 gallons while keeping overall scale height at 6 inches for easy drum loading and unloading.

The SpillSafe LX™ Drum Scale comes with the exclusive Force Flow Performance Guarantee™ and 5-Year Warranty to insure your investment continues to meet your chemical monitoring needs.



**FLUORIDE
HYPO
POLYMER
CAUSTIC
ALUM
AMMONIA**



WIZARD 4000®
(1 TO 4 CHANNEL)
Bulletin 400



SOLO G2®
(1 OR 2 CHANNEL)
Bulletin 516

The SpillSafe LX can be used with either our Wizard 4000® advanced indicator or our SOLO G2® weight display

FORCE FLOW

CHECK. CONTROL. COMPLY.

SpillSafe LX™ DRUM SCALE

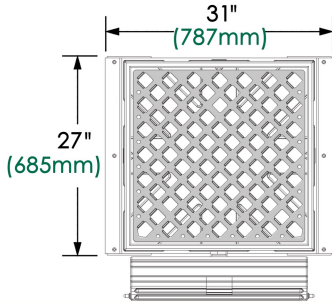
WITH INTEGRAL SECONDARY CONTAINMENT

MODELS & ORDERING INFORMATION

- MODEL: 26-SC6-HA4**
High Accuracy Scale Platform
With 66 Gallon Spill Containment

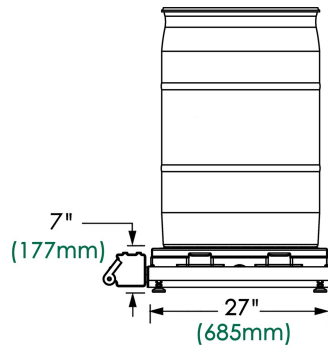
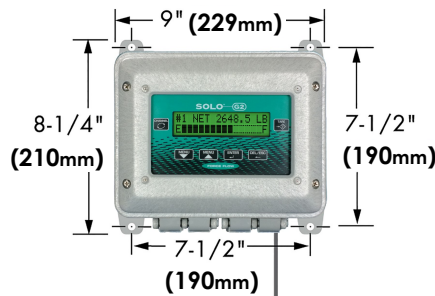
INDICATOR MODEL: SOLO G2 DIGITAL INDICATOR with 4-20mA Output

- SRG2-1** One Channel, (1) 4-20mA Output
- SRG2-2** Two Channels, (2) 4-20mA Outputs



CONTAINMENT
BLADDER
STORAGE

66" x 58" BLADDER FULLY DEPLOYED



OPTION

Wizard 4000
Advanced Multi
Channel Weight
Indicator may also
be used with the
SpillSafe LX

TYPICAL SPECIFICATIONS

A quantity of ____ drum scales of 1000 lbs (500 kg) capacity shall be provided and shall be of the digital readout/electronic load cell type. Scale shall be sized to accept up to a 24" (60cm) diameter drum. Platform shall have integral secondary containment with capacity of 66 gallons. Overall platform height shall be no more than 6" (152mm) to permit easy loading and unloading of drums. Platform shall be epoxy powder coated steel and containment shall be polyethylene with rollout bladder.

Scale platform shall have (4) shear beam, strain gauge load cells with polyethylene protective shields. Flexible cable shall connect scale platform to indicator to allow easy remote installation of the readout. Cable length shall be ____ (20ft/6m standard).

A remote mounted 32-character LCD indicator shall be housed in a NEMA 4X, UL approved enclosure. LCD indicator shall be back lit with 0.5" characters for ease of readability in low light conditions. Tare weight and level alarm set point values shall be entered via a keypad. Indicator shall output net weight via a 4-20mA signal for remote monitoring. Indicator shall have adjustable set points for alarms or liquid level control.

Scale shall carry a full five (5) Year Factory Warranty. Limited warranties shall be considered unacceptable. Full scale accuracy shall be better than 1/10 of 1%. Scale shall be SpillSafe model 26-SC6-HA4 and Solo G2 digital display Model SRG2-____ (1 or 2 channel), as manufactured by FORCE FLOW, 2430 Stanwell Dr., Concord, California 94520 USA. www.forceflow.com



CHECK. CONTROL. COMPLY.