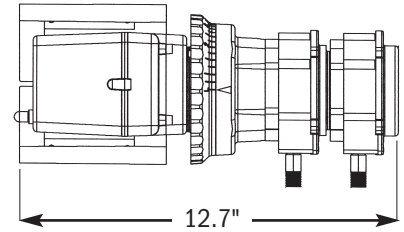
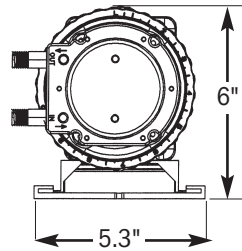
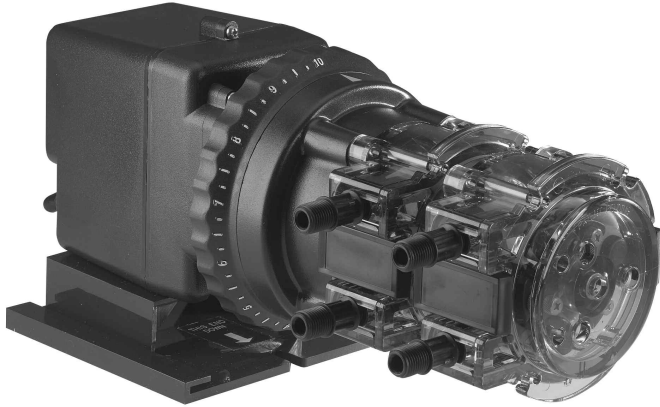


CLASSIC SERIES DOUBLE HEAD ADJUSTABLE SPECIFICATIONS

STENNER PUMPS®



Shipping Weight 10 lbs (4.5 kg)

METERING PUMP



METERING PUMP
LR79585



THIS PUMP IS TESTED AND
CERTIFIED BY WQA ACCORDING TO
NSF/ANSI 61 FOR CONTACT WITH
SODIUM HYPOCHLORITE AND
WATER ONLY AND NSF/ANSI 372.



Intertek
94247

**CONFORMS TO
ANSI/NSF STD. 50**

Equipment for swimming pools,
spas, hot tubs and other
recreational water facilities.

Listings vary by model

FEATURES

- Manually adjustable flow rate output
- Self-priming, does not lose prime or vapor lock
- Pumps off-gassing solutions and can run dry
- 3-point roller design assists with anti-siphon
- Tube replacement without tools
- Output reproducibility
- Tube lubrication not required
- Foot valve not required to prime
- Output volume not affected by back pressure
- Tubes and pump heads interchangeable between models
- Installation accessories included

CLASSIC SERIES DOUBLE HEAD ADJUSTABLE SPECIFICATIONS

STENNER PUMPS®

SPECIFICATIONS

Flow Rate Output Control

Adjustable Model: External dial ring

Maximum Working Pressure

25 psi (1.7 bar), 100 psi (6.9 bar)

Maximum Operating Temperature

125°F (52°C)

Maximum Suction Lift

25 ft (7.6 m) vertical lift, based on water

Motor Type

1/30 HP, shaded pole, class B

Shaft RPM (average maximum)

26 or 44

Duty Cycle

Continuous

Motor Voltage (Amp Draw)

120V 60Hz 1PH (1.7)

220V 60Hz 1PH (0.9)

230V 50Hz 1PH (0.9)

250V 50Hz 1PH (0.9)

Power Cord Type

120V 60Hz, 220V 60Hz: SJTOW,

230V 50Hz, 250V 50Hz: H05VV-F

Power Cord Plug End

120V 60Hz NEMA 5-15P

220V 60Hz NEMA 6-15P

230V 50Hz CEE7/7

250V 50Hz CEE7/7

MATERIALS OF CONSTRUCTION

All Housings Polycarbonate

Pump Tube

Santoprene** (FDA approved) or Versilon***

Check Valve Duckbill

Santoprene** (FDA approved) or Pellethane†

Pump Head Rollers Polyethylene

Roller Bushings Oil impregnated bronze

Suction/Discharge Tubing, Ferrules

Polyethylene (FDA approved)

Tube and Injection Fittings

PVC or Polypropylene (both NSF listed)

Connecting Nuts

PVC or Polypropylene (both NSF listed)

3/8" Adapter

PVC or Polypropylene (both NSF listed)

Suction Line Strainer and Cap

PVC or Polypropylene (both NSF listed); ceramic weight

All Fasteners Stainless steel

Pump Head Latches Polypropylene

ACCESSORIES

6 Connecting nuts 1/4" or 3/8"

6 Ferrules 1/4" or 6 mm *Europe*

2 Duckbill check valves 100 psi (6.9 bar) max.
OR **1** Injection fitting 25 psi (1.7 bar) max.

2 Weighted suction line strainers
1/4", 3/8" or 6 mm *Europe*

2 20' Rolls suction/discharge tubing
1/4" or 3/8", white or UV black
OR 6 mm White *Europe*

2 Additional pump tubes

2 Additional latches

1 Mounting bracket

1 Manual

* Santoprene® is a registered trademark of Exxon Mobil Corporation.

**Versilon® is a registered trademark of Saint-Gobain Performance Plastics.

† Pellethane® is a registered trademark of Lubrizol Advanced Materials, Inc.

FLOW RATE OUTPUT CHART

Double Head Adjustable 25 psi (1.7 bar) maximum

Approximate 20:1 turndown, 2.5% increments

	Model	Item Number Prefix	Pump Tube	Gallons per Day	Gallons per Hour	Ounces per Minute	Liters per Day	Liters per Hour	Milliliters per Minute	Liters per Day	Liters per Hour	Milliliters per Minute		
100 SERIES	100DM1	100JL1	1	0.3 to 6.0	0.01 to 0.25	0.03 to 0.53	1.1 to 22.7	0.05 to 0.95	0.76 to 15.76	0.9 to 18.2	0.04 to 0.76	0.61 to 12.64		
	100DM2	100JL2	2	1.0 to 20.0	0.04 to 0.83	0.09 to 1.78	3.8 to 75.7	0.16 to 3.15	2.64 to 52.57	3.0 to 60.6	0.13 to 2.53	2.11 to 42.06		
	100DM3	100JL3	3	2.2 to 44.0	0.09 to 1.83	0.19 to 3.91	8.3 to 166.5	0.35 to 6.94	5.76 to 115.63	6.6 to 133.2	0.28 to 5.55	4.58 to 92.50		
	100DM4	100JL4	4	3.5 to 70.0	0.15 to 2.92	0.31 to 6.22	13.2 to 265.0	0.55 to 11.04	9.17 to 184.03	10.6 to 212.0	0.44 to 8.83	7.36 to 147.22		
	100DM5	100JL5	5	5.0 to 100.0	0.21 to 4.17	0.44 to 8.88	18.9 to 378.5	0.79 to 15.77	13.13 to 262.88	15.1 to 302.8	0.63 to 12.61	10.49 to 210.28		
170 SERIES	170DM1	170JL1	1	0.5 to 10.0	0.02 to 0.42	0.04 to 0.89	1.9 to 37.9	0.08 to 1.58	1.32 to 26.32	1.5 to 30.3	0.06 to 1.26	1.04 to 21.04		
	170DM2	170JL2	2	1.7 to 34.0	0.07 to 1.42	0.15 to 3.02	6.4 to 128.7	0.27 to 5.36	4.44 to 89.38	5.1 to 102.6	0.21 to 4.29	3.54 to 71.55		
	170DM3	170JL3	3	4.0 to 80.0	0.17 to 3.33	0.35 to 7.11	15.1 to 302.8	0.63 to 12.62	10.49 to 210.28	12.1 to 242.2	0.50 to 10.09	8.40 to 168.22		
	170DM4	170JL4	4	6.0 to 120.0	0.25 to 5.00	0.53 to 10.66	22.7 to 454.2	0.95 to 18.93	15.76 to 315.42	18.2 to 363.4	0.76 to 15.14	12.64 to 252.36		
	170DM5	170JL5	5	8.5 to 170.0	0.35 to 7.08	0.76 to 15.10	32.2 to 643.5	1.34 to 26.80	22.36 to 446.88	25.7 to 514.8	1.07 to 21.45	17.92 to 357.50		
									Approximate Output @ 60Hz			Approximate Output @ 50Hz		

Double Head Adjustable 100 psi (6.9 bar) maximum

Approximate 20:1 turndown, 2.5% increments

	Model	Item Number Prefix	Pump Tube	Gallons per Day	Gallons per Hour	Ounces per Minute	Liters per Day	Liters per Hour	Milliliters per Minute	Liters per Day	Liters per Hour	Milliliters per Minute		
100	100DMHP5	100JH1	1	0.3 to 6.0	0.01 to 0.25	0.03 to 0.53	1.1 to 22.7	0.05 to 0.95	0.76 to 15.76	0.9 to 18.2	0.04 to 0.76	0.61 to 12.64		
	100DMHP20	100JH2	2	1.0 to 20.0	0.04 to 0.83	0.09 to 1.78	3.8 to 75.7	0.16 to 3.15	2.64 to 52.57	3.0 to 60.6	0.13 to 2.53	2.11 to 42.06		
170	170DMHP9	170JH1	1	0.5 to 10.0	0.02 to 0.42	0.04 to 0.89	1.9 to 37.9	0.08 to 1.58	1.32 to 26.32	1.5 to 30.3	0.06 to 1.26	1.04 to 21.04		
	170DMHP34	170JH2	2	1.7 to 34.0	0.07 to 1.42	0.15 to 3.02	6.4 to 128.7	0.27 to 5.36	4.44 to 89.38	5.1 to 102.6	0.21 to 4.29	3.54 to 71.55		
									Approximate Output @ 60Hz			Approximate Output @ 50Hz		

NOTICE: The information within this chart is solely intended for use as a guide. The output data is an approximation based on pumping water under a controlled testing environment. Many variables can affect the output of the pump. Stenner Pump Company recommends that all metering pumps undergo field calibration by means of analytical testing to confirm their outputs. The information contained in this flyer is not intended for specific application purposes. Stenner Pump Company reserves the right to make changes to prices, products, and specifications at any time without prior notice.