

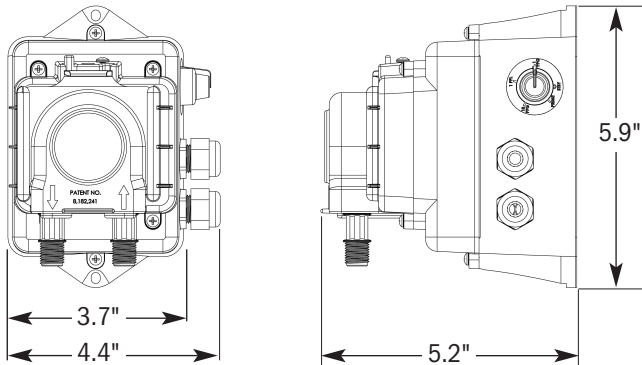
ECON STENNICATOR SERIES SPECIFICATIONS

STENNER PUMPS®



Listings vary by model

Shipping Weight 4 lbs (1.6 kg)



SPECIFICATIONS

Output Control On/off switch, fixed output

Reproducibility ±2%

Maximum Working Pressure 80 psi (5.5 bar)

Maximum Operating Temperature 104°F (40°C)

Maximum Suction Lift 25 ft (7.6 m) vertical lift, based on water

Motor Type 24VDC, brushless

Shaft RPM (average maximum) 60

Duty Cycle Continuous

Maximum Viscosity 50 Centipoise

Motor Voltage 120V 60Hz (0.25A), 230V 60Hz (0.17A), 24VDC (0.5A)

Power Cord Type 120V 60Hz, 230V 60Hz: SJTOW, 24VDC pigtail

Power Cord Plug End 120V 60Hz NEMA 5-15P,

230V 60Hz NEMA 6-15P, 24VDC pigtail

Power Cord Length 10 ft (3.05 m) or 24VDC Pigtail 1 ft (30.5 cm)

Classification Indoor & outdoor

MATERIALS OF CONSTRUCTION

All Housings Polycarbonate

Pump Tube & Check Valve Duckbill Santoprene® (FDA approved)

Pump Head Rollers Polyethylene

Suction/Discharge Tubing, Ferrules Polyethylene (FDA approved)

Tube and Injection Fittings PVC or Polypropylene (both NSF listed)

Connecting Nuts PVC or Polypropylene (both NSF listed)

Suction Line Strainer and Cap

PVC or Polypropylene (both NSF listed); ceramic weight

All Fasteners Stainless steel

ACCESSORIES

3 Connecting nuts 1/4"

3 Ferrules 1/4"

1 Duckbill check valve

1 Weighted suction line strainer 1/4"

1 20' Roll suction/discharge tubing 1/4" white

OR 6 mm White *Europe*

1 Additional pump tube

1 Manual

* Santoprene® is a registered trademark of Exxon Mobil Corporation.

FEATURES

- Injection of solutions at 1:128 ratio
- Accepts pulse rates of 1 PPG, 10 PPG and 1 PPL
- Enclosed housing
- Self-priming, does not lose prime or vapor lock
- Pumps off-gassing solutions and can run dry
- 3-point roller design assists with anti-siphon
- Tube replacement without tools
- Output reproducibility
- Tube lubrication not required

FLOW RATE OUTPUTS

80 psi (5.5 bar) maximum

Item Number Prefix	Pump Tube	Roller Assembly	Ounces per Minute	Milliliters per Minute
E20MH	H	Black	2.7	74.0

—Approximate Outputs @ 50/60Hz—

NOTICE: The information within this chart is solely intended for use as a guide. The output data is an approximation based on pumping water under a controlled testing environment. Many variables can affect the output of the pump. Stenner Pump Company recommends that all metering pumps undergo field calibration by means of analytical testing-confirm their outputs.