

# MUNICIPAL CATALOG 2023



**Blue-White**<sup>®</sup>

# Table of Contents

<b>POLICY</b>	<b>4</b>
<hr/>	
<b>PERISTALTIC PUMPS</b>	<b>5</b>
M1	6
M2	8
M3	10
M4	12
M5	14
Peristaltic Pump Warranty	16
<hr/>	
<b>DIAPHRAGM PUMPS</b>	<b>17</b>
MC2	18
MC3	20
MD1	22
MD3	24
Diaphragm Pump Warranty	26
<hr/>	
<b>SKID SYSTEMS</b>	<b>27</b>
<hr/>	
Plastic	
CFPS-1	28
CFPS-2	30
CFPS-3	32
<hr/>	
Wall	
CFWS-1	34
CFWS-2	36
<hr/>	
Metal	
CFS-1	38
CFS-2	40
Skid System Warranty	42

<b>ULTRASONIC FLOW METER</b>	<b>43</b>
<hr/>	
MS6	44
Flow Meter Warranty	46
<hr/>	
<b>TANKS AND ACCESSORIES</b>	<b>47</b>
STAR III SYSTEM	48
CHEMICAL TANK	49
PUMP ACCESSORIES	50
<hr/>	
<b>REPLACEMENT PARTS</b>	<b>55</b>

# POLICY

## DEALERS

Please contact the factory for the stocking outlet nearest you.

## MINIMUM ORDER

The minimum acceptable order is \$150.00. There are no exceptions.

## TERMS

Terms are NET 30 DAYS on approved credit. We do not ship orders to accounts with past-due balances. If you have not established open account terms with Blue-White, you may prepay your order or pay with a credit card. All major credit cards are accepted.

## PAYMENT POLICY

Net amount of invoice is due in full according to terms. A service charge of 1.5% will be added to outstanding balances beyond the term limit.

Any account over 45 days will be subject to credit hold.

## FREIGHT

For all allowable items, our normal means of shipment is via United Parcel Service. Should you wish an alternate means of shipment, you must advise the factory at the time you place your order. All shipments ship Ex Works. Buyer assumes all responsibilities for transit and delivery.

## RETURNED GOODS

Any merchandise being returned to the factory, regardless of the reason for the return, must have a Returned Merchandise Authorization number. Contact our in-house sales staff for an RMA number. The factory does not accept C.O.D. shipments.

All returns are subject to a restock charge.

Blue-White does not permit the return of products because of overstock, discontinued products, etc. Under no circumstance will the factory consider the return of products over six months old from date of original factory shipment.

## ORDER ADD-ON

Please be certain your order is complete when placed. Since orders are immediately entered into the computer as received, we may not be able to "add-on" later. Your understanding of this situation, and your cooperation are most appreciated. Any changes to a current order may result in extended lead times.

Possession of this catalog does not guarantee the right to purchase directly from the factory. F.O.B. Huntington Beach, CA

See instruction manual at [www.blue-white.com](http://www.blue-white.com) for detailed installation and operating requirements.

## PROCEDURE FOR IN WARRANTY REPAIR

Warranty service must be performed by the factory or an authorized service center. Contact the factory or local repair center to obtain a RMA (Return Material Authorization) number. It is recommended to include foot strainer and injection/check valve fitting since these devices may be clogged and part of the problem. Decontaminate, dry, and carefully pack the product to be repaired. Please enclose a brief description of the problem and proof of purchase. Prepay all shipping and insurance cost. COD shipments will not be accepted. Damage caused by improper packaging is the responsibility of the sender. When In-Warranty repair is completed, the factory pays for return shipping to the dealer or customer.

## PRODUCT USE WARNING

Blue-White products are manufactured to meet the highest quality standards in the industry. Each product instruction manual includes a description of the associated product warranty and provides the user with important safety information. Purchasers, installers, and operators of Blue-White products should take the time to inform themselves about the safe operation of these products. In addition, Customers are expected to do their own due diligence regarding which products and materials are best suited for their intended applications. BLUE-WHITE is pleased to assist in this effort but does not guarantee the suitability of any particular product for any specific application as Blue-White does not have the same degree of familiarity with the application that the customer/end user has. While BLUE-WHITE will honor all of its product warranties according to their terms and conditions, Blue-White shall only be obligated to repair or replace its defective parts or products in accordance with the associated product warranties.

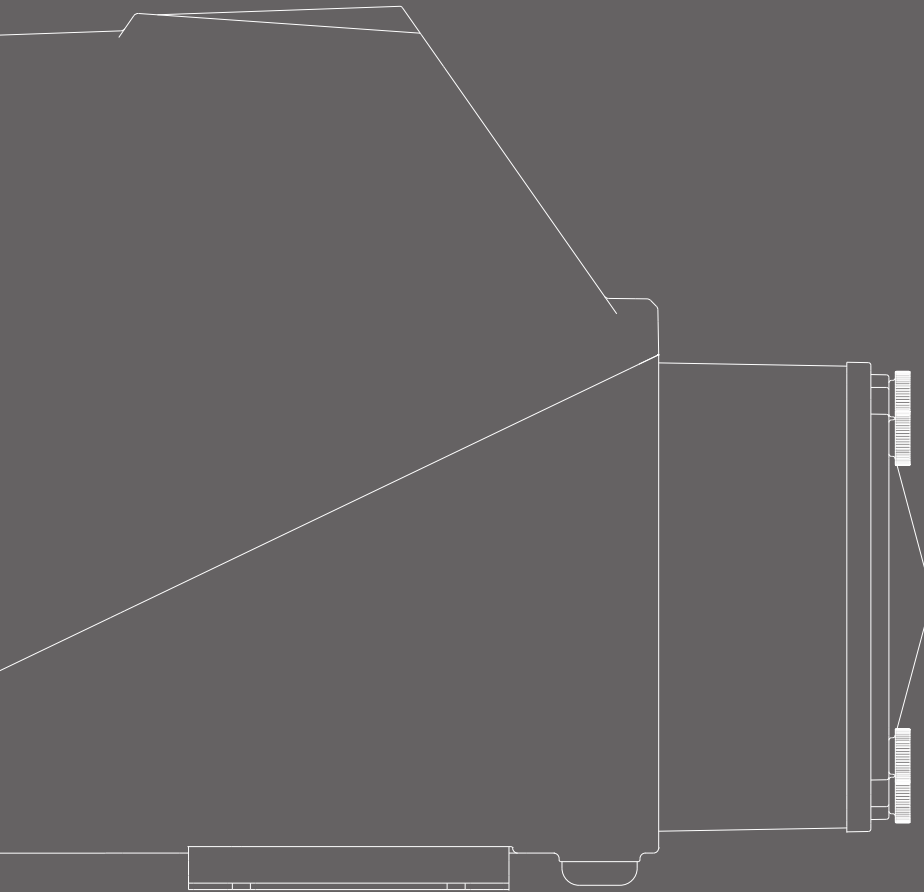
**BLUE-WHITE SHALL NOT BE LIABLE EITHER IN TORT OR IN CONTRACT FOR ANY LOSS OR DAMAGE WHETHER DIRECT, INDIRECT, INCIDENTAL, OR CONSEQUENTIAL, ARISING OUT OF OR RELATED TO THE FAILURE OF ANY OF ITS PARTS OR PRODUCTS OR OF THEIR UNSUITABILITY FOR A GIVEN PURPOSE OR APPLICATION.**

## CHEMICAL RESISTANCE WARNING

BLUE-WHITE offers a wide variety of wetted parts. Purchasers, installers, and operators of Blue-White products must be well informed and aware of the precautions to be taken when injecting or measuring various chemicals, especially those considered to be irritants, contaminants or hazardous. Customers are expected to do their own due diligence regarding which products and materials are best suited for their applications, particularly as it may relate to the potential effects of certain chemicals on Blue-White products and the potential for adverse chemical interactions. Blue-White tests its products with water only. The chemical resistance information included in this instruction manual was supplied to BLUE-WHITE by reputable sources, but Blue-White is not able to vouch for the accuracy or completeness thereof. While BLUE-WHITE will honor all of its product warranties according to their terms and conditions, Blue-White shall only be obligated to repair or replace its defective parts or products in accordance with the associated product warranties.

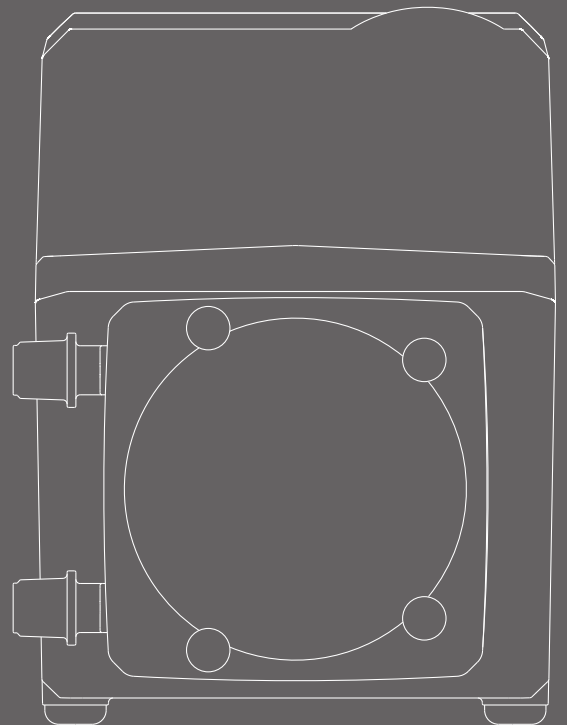
**BLUE-WHITE SHALL NOT BE LIABLE EITHER IN TORT OR IN CONTRACT FOR ANY LOSS OR DAMAGE, WHETHER DIRECT, INDIRECT, INCIDENTAL, OR CONSEQUENTIAL, ARISING OUT OF OR RELATED TO THE USE OF CHEMICALS IN CONNECTION WITH ANY BLUE-WHITE PRODUCTS.**

Users of electrical and electronic equipment (EEE) with the WEEE marking per Annex IV of the WEEE Directive must not dispose of end of life EEE as unsorted municipal waste, but use the collection framework available to them for the return, recycle, recovery of WEEE and minimize any potential effects of EEE on the environment and human health due to the presence of hazardous substances. The WEEE marking applies only to countries within the European Union (EU) and Norway. Appliances are labeled in accordance with European Directive 2002/96/EC. Contact your local waste recovery agency for a Designated Collection Facility in your area.



# MUNICIPAL

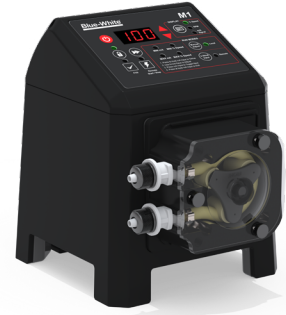
Peristaltic  
Metering Pumps



**Blue-White**<sup>®</sup>

# M1

## FLEXFLO® Peristaltic Metering Pump



- > Tube Failure Detection senses tube rupture, no false triggering
- > Heavy duty display shield protects pump controls
- > Remote Start/Stop, which is one non-powered dry contact closure
- > Relay outputs include a single 250V/3A and a single solid state
- > SCADA Inputs include: 4-20mA input

### Highlights

**Flow range**

.0001 – 5.60 GPH  
.0004 – 21.2 LPH

**Pressures up to**

100 PSI  
(6.89 bar)

**Turndown ratio**

10,000 : 1

**Suction lift**

30 ft.  
(at sea level)

**Exclusive**

Tube Failure Detection  
(TFD+)

**Motor**

Brushless  
DC

**Weight**

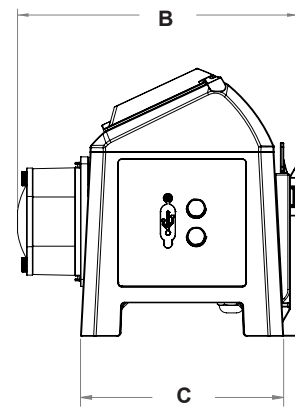
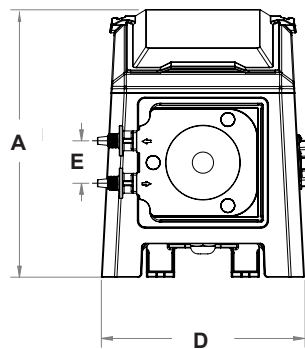
13 lb.  
(5.9 kg)

**Warranty**

5 Years

### Dimensions

Dim	Inch	cm	Dim	Inch	cm
A	9"	22.9	D	7.25"	19.6
B	10"	25.2	E	2.5"	18.5
C	7.75"	19.6			



### What's in the box

M1 Peristaltic Metering Pump w/ removable power cord.  
Two tube assemblies (One installed, one spare)  
Mounting hardware kit / Rear bracket  
Display shield  
Instruction Manual  
**Optional Accessories Not included (ordered separately):** Suction tubing/Discharge tubing, Injection Valves, Suction strainer, M12 communication cables, or Wall Mount Bracket.




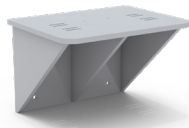






# Model Number Matrix

## FLEXFLO® Model Number

M1

<b>M1</b>	FLEXFLO® Peristaltic Metering Pump				
<b>Power Cord (Operating voltage requirement 96VAC to 264VAC)</b>					
<b>4</b>	115V 50/60Hz, power cord NEMA 5/15 plug (US) (detachable - 6 ft)				
<b>6</b>	220V 50/60Hz, power cord CEE 7/11 plug (EU) (detachable - 6 ft)				
<b>X</b>	No Power Cord				
<b>Pump Tube Size and Material</b>					
<b>1</b>	1/4" OD Flex-A-Thane®   0.0001 - 1.09 GPH   .0069 - 69 mL/Min   65 PSI (4.5 bar)				
<b>3</b>	7/16" OD Flex-A-Thane®   0.0005 - 5.60 GPH   .0353 - 353 mL/Min   50 PSI (3.45 bar)				
<b>4</b>	1/4" OD Flex-A-Prene®   0.0001 - 0.44 GPH   .0028 - 28 mL/Min   100 PSI (6.89 bar)				
<b>6</b>	3/8" OD Flex-A-Prene®   0.0001 - 1.35 GPH   .0085 - 85 mL/Min   100 PSI (6.89 bar)				
<b>7</b>	7/16" OD Flex-A-Prene®   0.0004 - 4.17 GPH   .0263 - 263 mL/Min   50 PSI (3.45 bar)				
<b>8</b>	7/16" OD Flex-A-Chem®   0.0003 - 3.09 GPH   .0195 - 195 mL/Min   50 PSI (3.45 bar)				
<b>Inlet/Outlet Connection Size, Connection Type</b>					
<b>T</b>	3/8" OD x 1/4" ID Tube Compression Fitting				
<b>M</b>	1/2" Male NPT Fitting				
<b>MB</b>	1/2" Male BSPT Fitting, Natural PVDF (Kynar)				
<b>M1</b>	<b>4</b>	<b>-</b>	<b>1</b>	<b>T</b>	<b>Sample Model Number</b>

## Accessories

 <p><b>KIT-S07</b> <b>KIT-S15</b> <b>KIT-S30</b></p> <p>* Includes cover and foot valve</p> <p>KIT-S07 (7 Gallon), KIT-S15 (15 Gallon), KIT-S30 (30 Gallon) STAR III TANKS, PP</p>	 <p><b>KIT-PSM</b> WALL MOUNT BRACKET, HDPE</p>	 <p><b>KIT-MB</b> FLOOR MOUNTING BRACKETS</p>	
<p>90010-663 115V/60Hz NEMA 5/15 90010-664 220V/50Hz CEE 7/11 90010-665 230V/50Hz BS 1363/A 90010-666 240V/50Hz AS 3112 90010-696 230V/60Hz NEMA 6/15</p> <p><b>POWER CABLES - 6 ft</b></p>	 <p><b>CABLE-UAC</b> USB A-C CABLE - 3 ft</p>	 <p><b>KIT-M12</b> TWO M12 CABLES - 9.8 ft</p>	 <p><b>A-014NK-6A</b> PVDF INJECTOR, 1/4" ID tubing</p>
 <p><b>C-334-6 (5 ft)</b> 1/4" x 3/8 clear PVC suct. tubing</p>	 <p><b>C-335-6 (5 ft)</b> 1/4" x 3/8" PE disch. tubing</p>	<p><b>Visit Accessory Pages for More Options</b></p>	

# M2

## FLEXFLO® Peristaltic Metering Pump



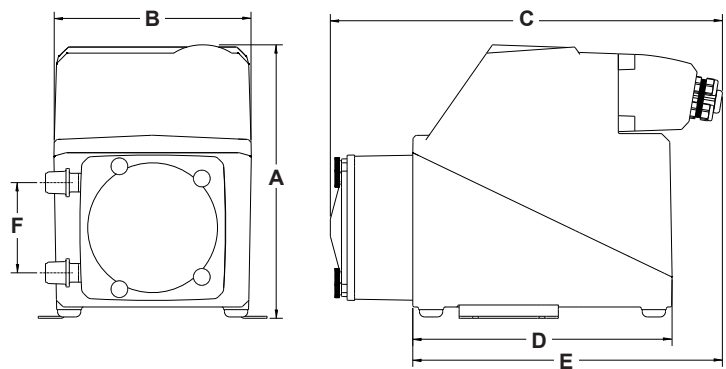
- > Peristaltic pump design does not have valves that can clog requiring maintenance
- > Self priming - even against maximum line pressure
- > Patented Tube Failure Detection (TFD) senses tube failure by detecting chemical in the pump head, no false triggering
- > SCADA Inputs/Outputs include: 4-20mA input, Pulse Input, Frequency Input, 4-20ma output, TFD alarm output

### Highlights

<b>Flow range</b> .0085 - 21.23 GPH .032 - 80.4 LPH	<b>Pressures up to</b> 125 PSI (8.6 bar)	<b>Turndown ratio</b> 200 : 1	<b>Suction lift</b> 30 ft. (at sea level)
<b>Exclusive</b> Tube Failure Detection (TFD)	<b>Motor</b> Brushed DC Motor	<b>Weight</b> 35 lb. (15.9 kg)	<b>Warranty</b> 5 Years

### Dimensions

Dim	Inch	cm	Dim	Inch	cm
A	10-1/4"	26	D	9-1/2"	24.1
B	7-1/2"	19	E	11"	27.9
C	14"	35.6	F	3-3/8"	8.6



### What's in the box

M2 Peristaltic Metering Pump  
 Two tube assemblies (One installed, one spare)  
 Tube installation tool  
 Mounting hardware kit (Includes Standard and Extended Mounting Brackets)  
 USB Drive (Operating Manual)  
**Optional Accessories Not included (ordered separately):** Suction tubing/Discharge tubing, Injection Valves, Suction strainer, Quick Disconnect fittings, communication cables, or Wall Mount Bracket.




# Model Number Matrix

M2

## FLEXFLO® Model Number

<b>M2</b> FLEXFLO® Peristaltic metering pump model number						
<b>Power Cord (operating voltage user selectable 115V/240 Vac 50/60Hz)</b>						
<b>4</b>	115V / 60Hz, power cord NEMA 5/15 plug (US)					
<b>5</b>	230V / 60Hz, power cord NEMA 6/15 plug (US)					
<b>6</b>	220V / 50HZ, power cord CEE 7/VII plug (EU)					
<b>8</b>	240V / 50HZ, power cord AS 3112 plug (AU/New Zealand)					
<b>9</b>	230V / 50HZ, power cord BS 1363/A plug (United Kingdom)					
<b>X</b>	No Power Cord					
<b>Inlet/Outlet Connection Size, Connection Type, Connection Material</b>						
<b>S</b>	3/8" OD x 1/4" ID Tube Compression Fitting, Natural PVDF (Kynar)					
<b>M</b>	1/2" Male NPT Fitting, Natural PVDF (Kynar)					
<b>B</b>	1/2" Hose Barb, Natural PVDF (Kynar), available for ND, NEE, NGG, and G2G only					
<b>C</b>	1/2" - 3/4" Tri-clamp connections, Natural PVDF (Kynar), available for ND, NEE, NGG, and G2G only					
<b>Q</b>	Quick Disconnect, Natural PVDF (Kynar), available for NDD, NEE, NGG, and G2G only (valves sold separately)					
<b>MB</b>	1/2" Male BSPT Fitting, Natural PVDF (Kynar)					
<b>Pump Tube Material, Pump Tube Size, Output Range</b>						
<b>ND</b>	Flex-A-Prene® .075 ID   0.01-1.7 GPH   .03-6.5 LPH   .54-108 mL/M   125 PSI					
<b>NEE</b>	Flex-A-Prene® .093 ID   0.022-4.44 GPH   .084-16.8 LPH   1.4-280 mL/M   110 PSI					
<b>NGG</b>	Flex-A-Prene® .187 ID   0.086-17.2 GPH   .325-65.1 LPH   5.4-1085 mL/M   110 PSI					
<b>GE</b>	Flex-A-Thane® .125 ID   0.02-4.0 GPH   .08-15.2 LPH   1-253 mL/M   65 PSI					
<b>GG</b>	Flex-A-Thane® .187 ID   0.05-9.3 GPH   .17-35.2 LPH   3-587 mL/M   65 PSI					
<b>G2G</b>	Flex-A-Thane® .187 ID   0.07-14.98 GPH   .03-56.7 LPH   4.7-945 mL/M   65 PSI					
<b>GH</b>	Flex-A-Thane® .312 ID   0.106-21.23 GPH   .04-80.4 LPH   6.7-1340 mL/M   65 PSI					
<b>TH</b>	Flex-A-Chem® .250 ID   0.07-14.3 GPH   .27-54 LPH   4.5-900 mL/M   50 PSI					
<b>Options</b> (leave this blank for standard model with left facing pump head inlet/outlet)						
<b>R</b>	Right facing pump head, input / output (Left facing fluid input / output is standard)					
<b>D</b>	Down facing pump head, input / output (Left facing fluid input / output is standard)					
<b>M2</b>	<b>2</b>	<b>4</b>	<b>S</b>	<b>ND</b>	<b>R</b>	<b>Sample Model Number</b>

## Accessories



1/4" x 3/8" "S" Fitting  
1/2" Hose Barb "B" Fitting  
1/2" MNPT "M" Fitting

**Quick Disconnects**

*KIT-QSV FKM O-RINGS	*KIT-QBV FKM	*KIT-QMV FKM
*KIT-QSE EP O-RINGS	*KIT-QBE EP	*KIT-QME EP



**KIT-PSM**  
Wall Mount Bracket, HDPE



**A-014NK-6A**  
Injector, PVDF, 1/4" "S" Conn.

Visit Accessory Pages for More Options



# M3

## FLEXFLO® Peristaltic Metering Pump



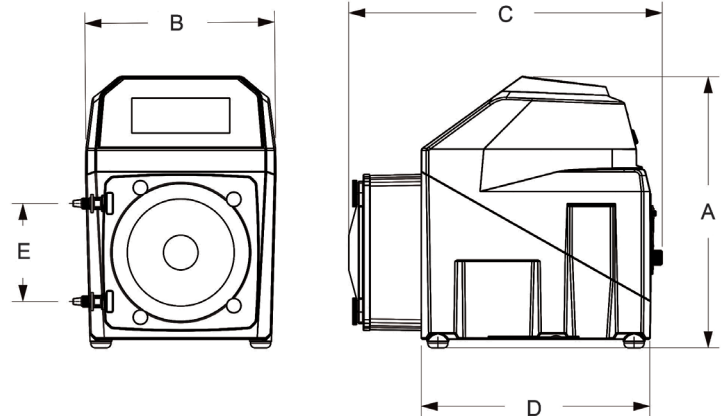
- > 5" touchscreen color LCD display
- > User-friendly configurations
- > Self priming peristaltic metering pump delivers smooth chemical feed
- > Tube Failure Detection (TFD) system senses tube failure
- > Inputs include: 4-20mA, Remote Start/Stop, Pulse Inputs, Industrial Protocols
- > Outputs include: 4-20mA, Frequency, (4) Alarm Outputs, Industrial Protocols

### Highlights

<b>Flow range</b> .0002 - 33.3 GPH .0007 - 126 LPH	<b>Pressures up to</b> 125 PSI (8.6 bar)	<b>Turndown ratio</b> 10,000 : 1	<b>Suction lift</b> 30 ft. (at sea level)
<b>Exclusive</b> Tube Failure Detection (TFD)	<b>Motor</b> Brushless DC Motor	<b>Weight</b> 25.4 lb. (11.5 kg)	<b>Warranty</b> 5 Years

### Dimensions

Dim	Inch	cm	Dim	Inch	cm
A	11-3/4"	29.8	D	10.5"	26.5
B	8-1/4"	20.9	E	4-1/4"	10.8
C	13-1/2"	34.5			



### What's in the box

- M3 Peristaltic Metering Pump w/ removable power cord
- Two tube assemblies (1 installed, 1 spare)
- Tube installation tool
- Mounting hardware kit (Includes Standard and Extended Mounting Brackets)
- USB Drive (Operating Manual)
- Optional Accessories Not included (ordered separately):** Suction tubing/Discharge tubing, Injection Valves, Suction strainer, Quick Disconnect fittings, M12 communication cables, Ethernet/Modbus cables, or Wall Mount Bracket.




# Model Number Matrix

## FLEXFLO® Model Number

<b>M3</b>	FLEXFLO® Peristaltic metering pump							
<b>Power Cord (operating voltage user selectable 115V/240 Vac 50/60Hz)</b>								
<b>4</b>	115V / 60Hz, power cord NEMA 5/15 plug (US)							
<b>6</b>	220V / 50HZ, power cord CEE 7/VII plug (EU)							
<b>X</b>	No Power Cord							
<b>Inlet/Outlet Connection Size, Connection Type, Connection Material</b>								
<b>S</b>	3/8" OD x 1/4" ID Tube Compression Fitting, Natural PVDF (Kynar)							
<b>M</b>	1/2" Male NPT Fitting, Natural PVDF (Kynar)							
<b>B</b>	1/2" Hose Barb, Natural PVDF (Kynar), available for ND, NEE, NGG, NKL, and G2G only							
<b>C</b>	1/2" - 3/4" Tri-clamp connections, Natural PVDF (Kynar), available for ND, NEE, NGG, NKL, and G2G only							
<b>Q</b>	Quick Disconnect, Natural PVDF (Kynar), available for ND, NEE, NGG, NKL, and G2G only. (valves sold separately)							
<b>MB</b>	1/2" Male BSPT Fitting, Natural PVDF (Kynar)							
<b>Pump Tube Material, Pump Tube Size, Output Range</b>								
<b>ND</b>	Flex-A-Prene® .075 ID   .0002–2.10 GPH   125 PSI	<b>GE</b>	Flex-A-Thane® .125 ID   .0004–4.60 GPH   65 PSI					
<b>NEE</b>	Flex-A-Prene® .093 ID   .0004–4.76 GPH   110 PSI	<b>GG</b>	Flex-A-Thane® .187 ID   .0010–10.1 GPH   65 PSI					
<b>NGG</b>	Flex-A-Prene® .187 ID   .0019–19.02 GPH   110 PSI	<b>G2G</b>	Flex-A-Thane® .187 ID   .0018–18.23 GPH   65 PSI					
<b>NHL</b>	Flex-A-Prene® .250 ID   .0017–17.4 GPH   65 PSI	<b>GH</b>	Flex-A-Thane® .312 ID   .0024–24.9 GPH   65 PSI					
<b>NK</b>	Flex-A-Prene® .375 ID   .0033–33.3 GPH   125 PSI	<b>GK</b>	Flex-A-Thane® .375 ID   .0028–28.5 GPH   65 PSI					
<b>NKL</b>	Flex-A-Prene® .375 ID   .0033–33.3 GPH   30 PSI	<b>TH</b>	Flex-A-Chem® .250 ID   .0015–15.06 GPH   50 PSI					
		<b>TK</b>	Flex-A-Chem® .375 ID   .0028–28.5 GPH   50 PSI					
<b>Options</b> (leave this blank for standard model with left facing pump head inlet/outlet)								
<b>R</b>	Right facing pump head, input / output (Left facing fluid input / output is standard)							
<b>D</b>	Down facing pump head, input / output (Left facing fluid input / output is standard)							
<b>M3</b>	<b>S</b>	<b>2</b>	<b>4</b>	<b>-</b>	<b>S</b>	<b>ND</b>	<b>R</b>	<b>Sample Model Number</b>

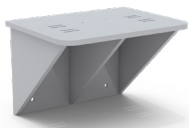
## Accessories



1/4" x 3/8" "S" Fitting  
1/2" Hose Barb "B" Fitting  
1/2" MNPT "M" Fitting

**Quick Disconnects**

*KIT-QSV FKM O-RINGS	*KIT-QBV FKM	*KIT-QMV FKM
*KIT-QSE EP O-RINGS	*KIT-QBE EP	*KIT-QME EP



**KIT-PSM**  
Wall Mount Bracket, HDPE



**KIT-M12**  
Two M12 Cables - 9.8 ft.

90010-663 115V/60Hz NEMA 5/15  
90010-664 220V/50Hz CEE 7/V11  
90010-665 230V/50Hz BS 1363/A  
90010-666 240V/50Hz AS 3112  
90010-696 230V/60Hz NEMA 6/15

**POWER CABLES - 6 ft**



**A-014NK-6A**  
Injector, PVDF, 1/4" "S" Conn.

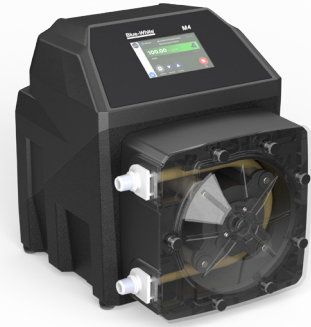


**KIT-DP3**  
Profibus Cable, 3 ft

Visit Accessory Pages for More Options

# M4

## FLEXFLO® Peristaltic Metering Pump



- > 5" touchscreen color LCD display
- > User-friendly configurations
- > Self priming peristaltic metering pump delivers smooth chemical feed
- > Tube Failure Detection (TFD) system senses tube failure
- > Inputs include: 4-20mA, Remote Start/Stop, Pulse Inputs, Industrial Protocols
- > Outputs include: 4-20mA, Frequency, (4) Alarm Outputs, Industrial Protocols

### Highlights

**Flow range**

.0028 - 158.5 GPH  
.0108 - 600 LPH

**Pressures up to**

125 PSI  
(8.6 bar)

**Turndown ratio**

10,000 : 1

**Suction lift**

30 ft.  
(at sea level)

**Exclusive**

Tube Failure Detection  
(TFD)

**Motor**

Brushless  
DC Motor

**Weight**

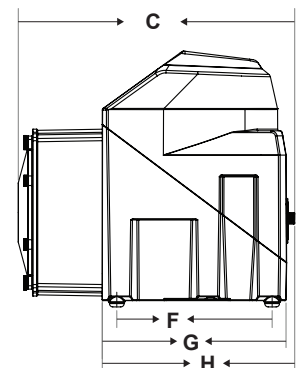
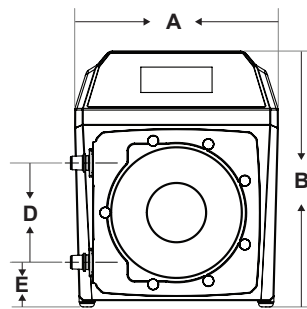
45.5 lb.  
(20.64 kg)

**Warranty**

5 Years

### Dimensions

Dim	Inch	cm	Dim	Inch	cm
A	12.1"	30.8	E	2.7"	6.8
B	15.3"	38.8	F	9.3"	23.5
C	16.5"	41.9	G	11.0"	27.8
D	5.9"	15.0	H	11.5"	29.2



### What's in the box

M4 Peristaltic Metering Pump w/ removable cord  
Two tube assemblies  
Tube installation tool  
Mounting hardware kit (Includes Standard and Extended Mounting Brackets)  
USB Drive (Operating Manual)

**Optional Accessories Not included (ordered separately):** Suction tubing/Discharge tubing, Injection Valves, Suction strainer, Quick Disconnect fittings, M12 communication cables, Ethernet/Modbus cables, or Wall Mount Bracket.


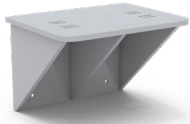





# Model Number Matrix

## FLEXFLO® Model Number

<b>M4</b>	FLEXFLO® M4 Peristaltic Metering Pump							
<b>Power Cord (operating voltage requirement 96VAC to 264VAC)</b>								
<b>4</b>	115V / 60HZ, power cord NEMA 5/15 plug (US)							
<b>6</b>	220V / 50HZ, power cord CEE 7/VI plug (EU)							
<b>X</b>	No Power Cord							
<b>Inlet/Outlet Connection Size, Connection Type, Connection Material</b>								
<b>M</b>	1/2" Male NPT Fitting, Natural PVDF (Kynar)							
<b>B</b>	1/2" ID Tubing Barb Fitting, Natural PVDF (Kynar)							
<b>C</b>	1/2" - 3/4" Tri-clamp connections, Natural PVDF (Kynar)							
<b>Q</b>	Quick Disconnect, Natural PVDF (Kynar), NP flow rate reduced 16.5% with Quick Disconnect connections (Valves sold separately)							
<b>MB</b>	1/2" Male BSPT Fitting, Natural PVDF (Kynar)							
<b>Pump Tube Material, Pump Tube Size</b> NOTE: * = Dual tube								
<b>NH</b>	Flex-A-Prene® .250 ID   .01–28.5 GPH   125 PSI			<b>GH</b>	Flex-A-Thane® .312 ID   .01–39.6 GPH   65 PSI			
<b>NHH*</b>	Flex-A-Prene® .250 ID   .02–54.0 GPH   100 PSI			<b>GHH*</b>	Flex-A-Thane® .312 ID   .03–71 GPH   65 PSI			
<b>NHHL*</b>	Flex-A-Prene® .250 ID   .02–54.0 GPH   65 PSI			<b>GK</b>	Flex-A-Thane® .375 ID   .02–55.5 GPH   65 PSI			
<b>NHL</b>	Flex-A-Prene® .250 ID   .01–28.5 GPH   65 PSI			<b>GKK*</b>	Flex-A-Thane® .375 ID   .04–100 GPH   65 PSI			
<b>NK</b>	Flex-A-Prene® .375 ID   .02–50.7 GPH   80 PSI			<b>TH</b>	Flex-A-Chem® .250 ID   .01–25.4 GPH   30 PSI			
<b>NL</b>	Flex-A-Prene® .500 ID   .04–100.0 GPH   50 PSI			<b>TK</b>	Flex-A-Chem® .375 ID   .02–54.0 GPH   30 PSI			
<b>NP</b>	Flex-A-Prene® .750 ID   .06–158.5 GPH   30 PSI			<b>TKK*</b>	Flex-A-Chem® .375 ID   .05–126 GPH   30 PSI			
<b>Options</b> (leave this blank for standard model with left facing head)								
<b>R</b>	Right facing pump head, input / output							
<b>D</b>	Down facing pump head, input / output							
<b>M4</b>	<b>S</b>	<b>2</b>	<b>4</b>	<b>-</b>	<b>M</b>	<b>NH</b>	<b>R</b>	<b>Sample Model Number</b>

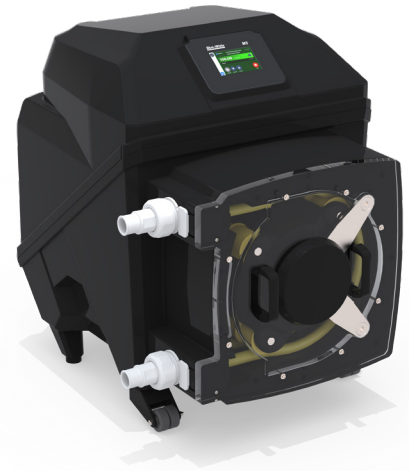
## Accessories

 <p>1/4" x 3/8" "S" Fitting 1/2" Hose Barb "B" Fitting 1/2" MNPT "M" Fitting</p> <p><b>Quick Disconnects</b></p> <ul style="list-style-type: none"> <li>*KIT-QSV FKM O-RINGS</li> <li>*KIT-QBV FKM</li> <li>*KIT-QMV FKM</li> <li>*KIT-QSE EP O-RINGS</li> <li>*KIT-QBE EP</li> <li>*KIT-QME EP</li> </ul>	 <p><b>KIT-PSM</b> Wall Mount Bracket, HDPE</p>	 <p><b>KIT-M12</b> Two M12 Cables - 9.8 ft.</p>
<p>90010-663 115V/60Hz NEMA 5/15 90010-664 220V/50Hz CEE 7/VI 90010-665 230V/50Hz BS 1363/A 90010-666 240V/50Hz AS 3112 90010-696 230V/60Hz NEMA 6/15</p> <p><b>POWER CABLES - 6 ft</b></p>	 <p><b>A-014NK-6A</b> Injector, PVDF, 1/4" "S" Conn.</p>	 <p><b>KIT-DP3</b> Profibus Cable, 3 ft</p>

Visit Accessory Pages for More Options

# M5

## FLEXFLO® Peristaltic Metering Pump



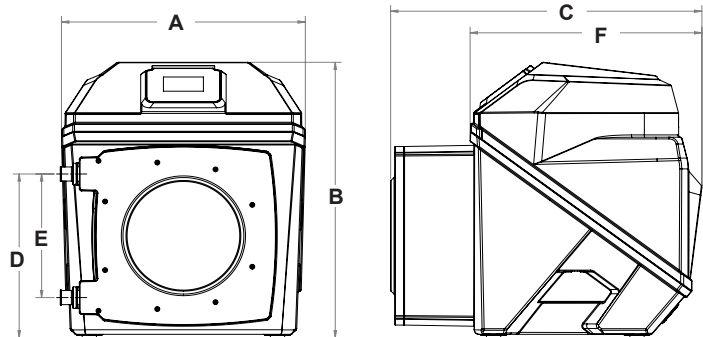
- > 5" touchscreen color LCD display
- > User-friendly configurations
- > Self priming peristaltic metering pump delivers smooth chemical feed
- > Tube Failure Detection (TFD) system senses tube failure
- > Inputs include: 4-20mA, Remote Start/Stop, Pulse Inputs, Industrial Protocols
- > Outputs include: 4-20mA, Frequency, (4) Alarm Outputs, Industrial Protocols

### Highlights

<b>Flow range</b> .02 - 534 GPH .05 - 2041 LPH	<b>Pressures up to</b> 125 PSI (8.6 bar)	<b>Turndown ratio</b> 10,000 : 1	<b>Suction lift</b> 30 ft. (at sea level)
<b>Exclusive</b> Tube Failure Detection (TFD)	<b>Motor</b> Brushless DC Motor	<b>Weight</b> 178 lb. (80.7 kg)	<b>Warranty</b> 5 Years

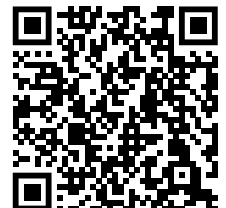
### Dimensions

Dim	Inch	cm	Dim	Inch	cm
A	25.7"	65.2	D	17.9"	45.4
B	30.1"	76.4	E	13.5"	34.3
C	32.8"	83.3	F	24.4"	62.0



### What's in the box

M5 Peristaltic Metering Pump w/ removable cord  
 One complete tube assembly (installed)  
 One Replacement Tube Kit  
 Floor Mounting Brackets  
 USB Drive (Operating Manual)  
**Optional Accessories Not included (ordered separately):** Suction tubing/Discharge tubing, Injection Valves, Suction strainer, M12 communication cables, Ethernet/Modbus cables.



# Model Number Matrix

M5

## Model Number

<b>M5</b>	FLEXFLO® Peristaltic metering pump							
<b>Power Cord (operating voltage user selectable 115V/240 VAC 50/60Hz)</b>								
<b>4</b>	115V / 60Hz, power cord NEMA 5/15 plug (US)							
<b>6</b>	220V / 50HZ, power cord CEE 7/VI plug (EU)							
<b>X</b>	No Power Cord							
<b>Inlet/Outlet Connection Size, Connection Type, Connection Material</b>								
<b>M</b>	1.5" Male NPT Fitting, Polypropylene, FKM O-rings							
<b>B</b>	1.5" Hose Barb, Polypropylene, FKM O-rings							
<b>Pump Tube Material, Pump Tube Size, Output Range, Pressure</b>								
<b>NPP</b>	Flex-A-Prene® .750 ID   .05 - 534 GPH   30 PSI							
<b>NLL</b>	Flex-A-Prene® .500 ID   .03 - 286 GPH   50 PSI							
<b>NHHL</b>	Flex-A-Prene® .250 ID   .01 - 75.6 GPH   65 PSI							
<b>GKK</b>	Flex-A-Thane® .375 ID   .02 - 154 GPH   50 PSI							
<b>Options</b> (leave this blank for standard model with left facing pump head inlet/outlet)								
<b>R</b>	Right facing pump head, input / output (Left facing fluid input / output is standard)							
<b>E</b>	EP O-rings							
<b>M5</b>	<b>S</b>	<b>2</b>	<b>4</b>	<b>-</b>	<b>M</b>	<b>NPP</b>	<b>R</b>	<b>Sample Model Number</b>

## Accessories

90010-663 115V/60Hz NEMA 5/15  
 90010-664 220V/50Hz CEE 7/VI  
 90010-665 230V/50Hz BS 1363/A  
 90010-666 240V/50Hz AS 3112  
 90010-696 230V/60Hz NEMA 6/15

**POWER CABLES - 6 ft**



**CABLE-UAC**  
USB A-C CABLE



**KIT-M12**  
TWO M12 CABLES



**KIT-DP3**  
ONE 3ft PROFIBUS CABLE

\***KIT-M12-3** Three M12 Cables and **KIT-M12-6** Six M12 Cables also available.

Visit Accessory Pages for More Options

# PERISTALTIC PUMP WARRANTY

## LIMITED WARRANTY

Your Blue-White product is a quality product and is warranted for a specific time from date of purchase (proof of purchase is required). The product will be repaired or replaced at our discretion. Failure must have occurred due to defect in material or workmanship and not as a result of operation of the product other than in normal operation as defined in the product manual. Warranty status is determined by the product's serial label and the sales invoice or receipt. The serial label must be on the product and legible. The warranty status of the product will be verified by Blue-White or a factory authorized service center. Pump Head and roller assembly is warranted against damage from chemical attack when proper TFD (Tube Failure Detection) system instructions and maintenance procedures are followed.

FLEXFLO® M1, M2, M3, M4, and M5 pumps are warranted for 5 years from date of purchase (proof of purchase is required). Pumps will be repaired or replaced at our discretion. Pump Head and roller assembly is warranted for 2 years against damage from chemical attack when proper TFD (Tube Failure Detection) system instructions and maintenance procedures are followed.

## WHAT IS NOT COVERED

- FLEXFLO® Pump Tube Assemblies and rubber components. They are perishable and require periodic replacement.
- Pump removal, or re-installation, and any related labor charge.
- Freight to the factory, or service center.
- Products that have been tampered with, or in pieces.
- Damage resulting from misuse, carelessness such as chemical spills on the enclosure, abuse, lack of maintenance, or alteration which is out of our control.
- Damage by faulty wiring, power surges or acts of nature.

BLUE-WHITE does not assume responsibility for any loss, damage, or expense directly or indirectly related to or arising out of the use of its products. Failure must have occurred due to defect in material or workmanship and not as a result of operation of the product other than in normal operation as defined in the pump manual.

Warranty status is determined by the pump's serial label and the sales invoice or receipt. The serial label must be on the pump and legible. The warranty status of the pump will be verified by Blue-White or a factory authorized service center.

## PROCEDURE FOR IN WARRANTY REPAIR

Warranty service must be performed by the factory or an authorized service center. Contact the factory or local repair center to obtain a RMA (Return Material Authorization) number. It is recommended to include foot strainer and injection/check valve fitting since these devices may be clogged and part of the problem. Decontaminate, dry, and carefully pack the product to be repaired. Please enclose a brief description of the problem and proof of purchase. Prepay all shipping and insurance cost. COD shipments will not be accepted. Damage caused by improper packaging is the responsibility of the sender. When In-Warranty repair is completed, the factory pays for return shipping to the dealer or customer.

## PRODUCT USE WARNING

Blue-White products are manufactured to meet the highest quality standards in the industry. Each product instruction manual includes a description of the associated product warranty and provides the user with important safety information. Purchasers, installers, and operators of Blue-White products should take the time to inform themselves about the safe operation of these products. In addition, Customers are expected to do their own due diligence regarding which products and materials are best suited for their intended applications. BLUE-WHITE is pleased to assist in this effort but does not guarantee the suitability of any particular product for any specific application as Blue-White does not have the same degree of familiarity with the application that the customer/end user has. While BLUE-WHITE will honor all of its product warranties according to their terms and conditions, Blue-White shall only be obligated to repair or replace its defective parts or products in accordance with the associated product warranties.

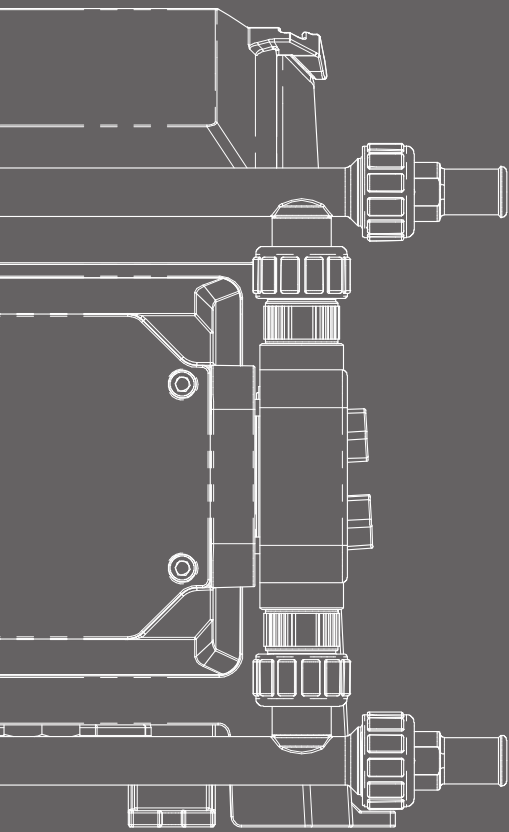
**BLUE-WHITE SHALL NOT BE LIABLE EITHER IN TORT OR IN CONTRACT FOR ANY LOSS OR DAMAGE WHETHER DIRECT, INDIRECT, INCIDENTAL, OR CONSEQUENTIAL, ARISING OUT OF OR RELATED TO THE FAILURE OF ANY OF ITS PARTS OR PRODUCTS OR OF THEIR NONSUITABILITY FOR A GIVEN PURPOSE OR APPLICATION.**

## CHEMICAL RESISTANCE WARNING

BLUE-WHITE offers a wide variety of wetted parts. Purchasers, installers, and operators of Blue-White products must be well informed and aware of the precautions to be taken when injecting or measuring various chemicals, especially those considered to be irritants, contaminants or hazardous. Customers are expected to do their own due diligence regarding which products and materials are best suited for their applications, particularly as it may relate to the potential effects of certain chemicals on Blue-White products and the potential for adverse chemical interactions. Blue-White tests its products with water only. The chemical resistance information included in this instruction manual was supplied to BLUE-WHITE by reputable sources, but Blue-White is not able to vouch for the accuracy or completeness thereof. While BLUE-WHITE will honor all of its product warranties according to their terms and conditions, Blue-White shall only be obligated to repair or replace its defective parts or products in accordance with the associated product warranties.

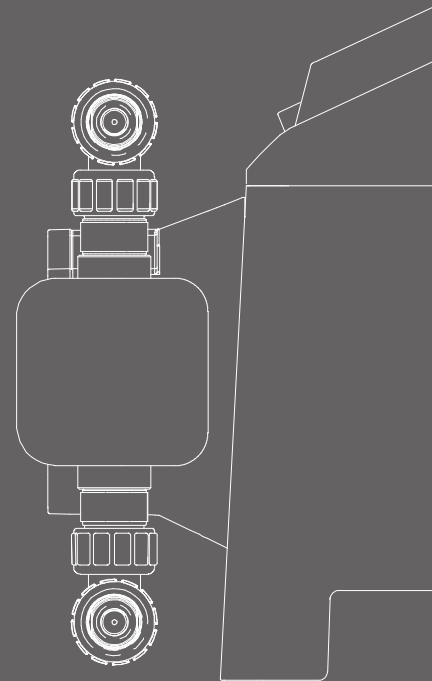
**BLUE-WHITE SHALL NOT BE LIABLE EITHER IN TORT OR IN CONTRACT FOR ANY LOSS OR DAMAGE, WHETHER DIRECT, INDIRECT, INCIDENTAL, OR CONSEQUENTIAL, ARISING OUT OF OR RELATED TO THE USE OF CHEMICALS IN CONNECTION WITH ANY BLUE-WHITE PRODUCTS.**

Users of electrical and electronic equipment (EEE) with the WEEE marking per Annex IV of the WEEE Directive must not dispose of end of life EEE as unsorted municipal waste, but use the collection framework available to them for the return, recycle, recovery of WEEE and minimize any potential effects of EEE on the environment and human health due to the presence of hazardous substances. The WEEE marking applies only to countries within the European Union (EU) and Norway. Appliances are labeled in accordance with European Directive 2002/96/EC. Contact your local waste recovery agency for a Designated Collection Facility in your area.



# MUNICIPAL

Diaphragm  
Metering Pumps



**Blue-White**<sup>®</sup>



# MC2

## CHEM-FEED® Diaphragm Metering Pump

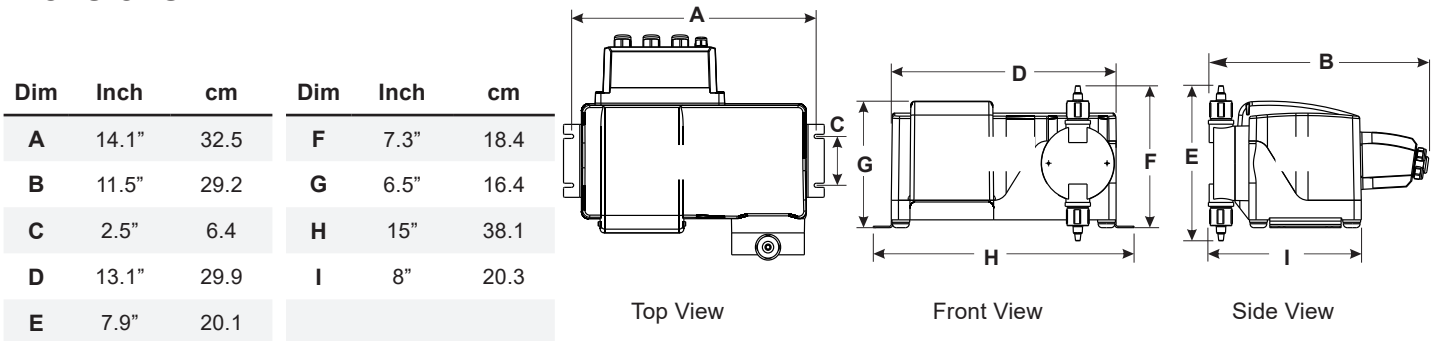


- > Built-in leak detection (DFD) senses diaphragm failure
- > Patented DiaFlex® offers zero breakdown, reducing maintenance
- > 4-20mA input and 4-20mA output, standard on all models
- > Heavy duty PVDF pump head and valves are standard

### Highlights

<p><b>Flow range</b></p> <p>.01 - 16.5 GPH .05 - 62.5 LPH</p>	<p><b>Pressures up to</b></p> <p>175 PSI (12 bar)</p>	<p><b>Turndown ratio</b></p> <p>200 : 1</p>	<p><b>Suction lift</b></p> <p>15 ft. (at sea level)</p>
<p><b>Exclusive</b></p> <p>Diaphragm Failure Detection (DFD)</p>	<p><b>Motor</b></p> <p>Brushed DC Motor</p>	<p><b>Weight</b></p> <p>24 lb. (10.9 kg)</p>	<p><b>Warranty</b></p> <p>2 Years</p>

### Dimensions



### What's in the box

- MC2 Diaphragm Metering Pump
- USB Drive (Operating Manual)
- Option "1"** – 1/2" ID x 3/4" OD tubing pump head
  - 1/2" hose barb foot valve (71000-575)
- Option "2"** – 1/4" ID x 3/8" OD Tubing pump head
  - 1/4" x 3/8" suction foot valve (71001-106)

- Option "3"** – 1/2" M/NPT inlet and outlet
  - 1/2" M/NPT foot valve (71000-849)
- Option "4"** – 1/2" F/NPT inlet and outlet
  - 1/2" M/NPT foot valve (71000-849)
- Mounting hardware kit
- Junction box connectors

**Not included:** Injector, Suction Tubing, Discharge Tubing.



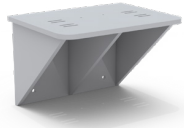


# Model Number Matrix

MC2

## CHEM-FEED® Model Number

<b>MC</b>	CHEM-FEED® Diaphragm metering pump								
<b>Input Voltage / Power Cord</b>									
<b>4</b>	115V / 60Hz, power cord NEMA 5/15 plug (US)			<b>8</b>	240V / 50HZ, power cord AS 3112 plug (AU/New Zealand)				
<b>5</b>	230V / 60Hz, power cord NEMA 6/15 plug (US)			<b>9</b>	230V / 50HZ, power cord BS 1363 plug (UK)				
<b>6</b>	220V / 50HZ, power cord CEE 7/VII plug (EU)								
<b>Stroke Length / Diaphragm size</b>									
<b>1</b>	.060" stroke / small diaphragm   .05–10 GPH   175 PSI								
<b>2</b>	.060" stroke / large diaphragm   .08–16.5 GPH   175 PSI								
<b>3</b>	.040" stroke / small diaphragm   .03–6.7 GPH   175 PSI								
<b>5</b>	.040" stroke / Micro-Feed   .01–2.3 GPH   150 PSI								
<b>6</b>	.060" stroke / Micro-Feed   .02–4.0 GPH   150 PSI								
<b>Elastomer Material (o-rings)</b>									
<b>V</b>	TFE/P								
<b>E</b>	EP (Ethylene Propylene)								
<b>Pump Head Fitting and Injection Fitting / Check Valve Connections</b>									
<b>1</b>	1/2" ID x 3/4" OD Tubing pump head								
<b>2</b>	1/4" ID x 3/8" OD Tubing pump head								
<b>3</b>	1/2" Male NPT inlet and outlet								
<b>4</b>	1/2" Female NPT inlet and outlet								
<b>Miscellaneous Options</b> (leave blank if not used)									
<b>S</b>	Flex-A-Prene® Diaphragms (Caustic Soda resistant diaphragms)								
<b>MC</b>	<b>2</b>	<b>2</b>	<b>4</b>	<b>1</b>	<b>X</b>	<b>V</b>	<b>1</b>	<b>S</b>	Sample Model Number

## Accessories

 <p><b>KIT-PSM</b> Wall Mount Bracket, HDPE</p>	 <p><b>71000-555</b> PVDF INJECTOR, 1/4" ID tubing <b>71000-579</b> PVDF INJECTOR, 1/2" Hose Barb <b>71000-577</b> PVDF INJECTOR, 1/2" MNPT</p>	 <p><b>C-334-6-10</b> Suction Tubing, Clear PVC 1/4"x 3/8", 10 ft <b>C-335-6-25</b> Discharge Tubing, PE, 1/4" x 3/8", 25 ft <b>76001-361</b> Suction Tubing, Clear PVC, 1/2" ID, 8ft <b>90008-437</b> Discharge Tubing, Braided PVC, 1/2" ID</p>	<p><b>Ball Check Cartridge Options</b></p> <p><b>20000-228</b> Ball Check Cart. Hastelloy Balls <b>20000-229</b> Ball Check Cart. PTFE Balls <b>70001-409 (2 req.)</b> Ball Check Cart., Single Ceramic Ball with Hastelloy Spring</p>
--	--	---	--

# MC3

## CHEM-FEED® Diaphragm Metering Pump

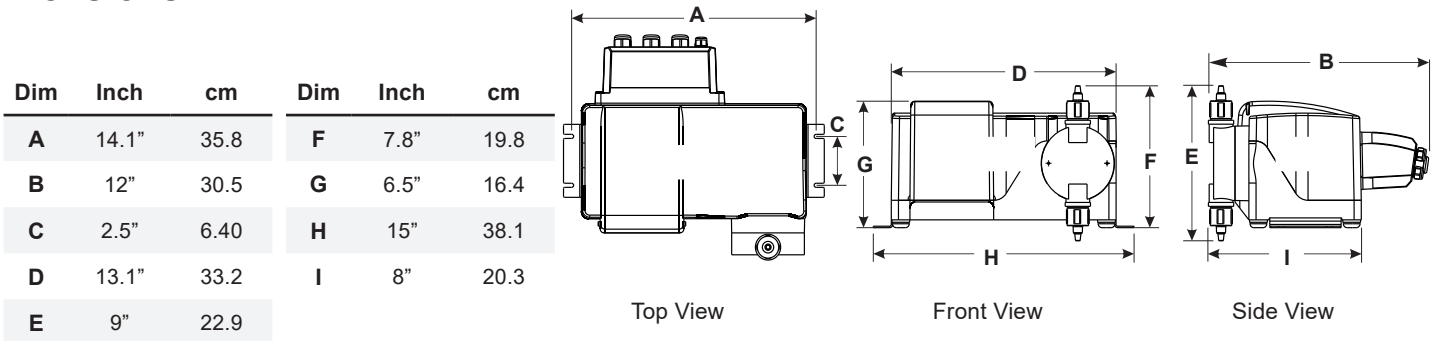


- > Built-in leak detection (DFD) senses diaphragm failure
- > Patented DiaFlex® offers zero breakdown, reducing maintenance
- > 4-20mA input and 4-20mA output, standard on all models
- > Heavy duty PVDF pump head and valves are standard

### Highlights

<p><b>Flow range</b></p> <p>.13 - 40.6 GPH .5 - 154 LPH</p>	<p><b>Pressures up to</b></p> <p>150 PSI (10.3 bar)</p>	<p><b>Turndown ratio</b></p> <p>200 : 1</p>	<p><b>Suction lift</b></p> <p>15 ft. (at sea level)</p>
<p><b>Exclusive</b></p> <p>Diaphragm Failure Detection (DFD)</p>	<p><b>Motor</b></p> <p>Brushed DC Motor</p>	<p><b>Weight</b></p> <p>29 lb. (13.1 kg)</p>	<p><b>Warranty</b></p> <p>2 Years</p>

### Dimensions



### What's in the box

- |  |  |
|--|--|
| <p>MC3 Diaphragm Metering Pump<br/>USB Drive (Operating Manual)<br/><b>Option "1"</b> – 1/2" ID x 3/4" OD tubing pump head<br/>• 1/2" hose barb foot valve (71000-575)<br/><b>Option "2"</b> – 1/4" ID x 3/8" OD Tubing pump head<br/>• 1/4" x 3/8" suction foot valve (71001-106)</p> | <p><b>Option "3"</b> – 1/2" M/NPT inlet and outlet<br/>• 1/2" M/NPT foot valve (71000-849)<br/><b>Option "4"</b> – 1/2" F/NPT inlet and outlet<br/>• 1/2" M/NPT foot valve (71000-849)<br/>Mounting hardware kit<br/>Junction box connectors</p> <p><b>Not included:</b> Injector, Suction Tubing, Discharge Tubing.</p> |
|--|--|



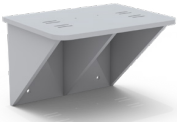
# Model Number Matrix

MC3


## CHEM-FEED® Model Number

<b>MC</b>	CHEM-FEED® Diaphragm metering pump									
<b>Input Voltage / Power Cord</b>										
<b>4</b>	115V / 60Hz, power cord NEMA 5/15 plug (US)				<b>8</b>	240V / 50HZ, power cord AS 3112 plug (AU/New Zealand)				
<b>5</b>	230V / 60Hz, power cord NEMA 6/15 plug (US)				<b>9</b>	230V / 50HZ, power cord BS 1363 plug (UK)				
<b>6</b>	220V / 50HZ, power cord CEE 7/VI plug (EU)									
<b>Stroke Length / Diaphragm size</b>										
<b>1</b>	.060" stroke / large diaphragm   .13–26.2 GPH   150 PSI									
<b>2</b>	.100" stroke / large diaphragm   .20–40.6 GPH   100 PSI									
<b>Elastomer Material (o-rings)</b>										
<b>V</b>	TFE/P									
<b>E</b>	EP (Ethylene Propylene)									
<b>Pump Head Fitting and Injection Fitting / Check Valve Connections</b>										
<b>1</b>	1/2" Hose Barb Tubing pump head									
<b>2</b>	1/4" ID x 3/8" OD Tubing pump head									
<b>3</b>	1/2" Male NPT inlet and outlet									
<b>4</b>	1/2" Female NPT inlet and outlet									
<b>Miscellaneous Options</b> (leave blank if not used)										
<b>S</b>	Flex-A-Prene® Diaphragms (Caustic Soda resistant diaphragms)									
<b>MC</b>	<b>3</b>	<b>1</b>	<b>4</b>	<b>1</b>	<b>X</b>	<b>V</b>	<b>1</b>	<b>S</b>	<b>Sample Model Number</b>	


## Accessories



**KIT-PSM**  
Wall Mount Bracket, HDPE



**71000-555**  
PVDF INJECTOR, 1/4" ID tubing  
**71000-579**  
PVDF INJECTOR, 1/2" Hose Barb  
**71000-577**  
PVDF INJECTOR, 1/2" MNPT



**C-334-6-10**  
Suction Tubing, Clear PVC 1/4"x 3/8", 10 ft  
**C-335-6-25**  
Discharge Tubing, PE, 1/4" x 3/8", 25 ft  
**76001-361**  
Suction Tubing, Clear PVC, 1/2" ID, 8ft  
**90008-437**  
Discharge Tubing, Braided PVC, 1/2" ID

### Ball Check Cartridge Options

**20000-228**  
Ball Check Cart. Hastelloy Balls  
**20000-229**  
Ball Check Cart. PTFE Balls  
**70001-409 (2 req.)**  
Ball Check Cart., Single Ceramic Ball with Hastelloy Spring

# MD1

## CHEM-FEED® Multi-Diaphragm Metering Pump



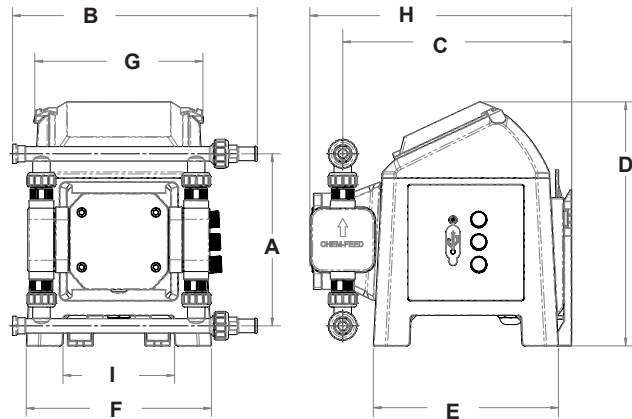
- > Diaphragm Failure Detection system senses diaphragm failure
- > Display shield protects pump controls in harsh environments
- > Patented DiaFlex® offers zero breakdown, reducing maintenance
- > Remote Start/Stop, non-powered dry contact closure
- > Relay outputs include a single 250V/3A and a single solid state
- > SCADA Inputs: 4-20mA input
- > 1/4" x 3/8" inlet/outlet connections standard (1/2" MNPT and 1/2" Hose Barb fittings available)

### Highlights

<p><b>Flow range</b></p> <p>.0007 – 7.70 GPH .0029 – 29.2 LPH</p>	<p><b>Pressures up to</b></p> <p>150 PSI (10.3 bar)</p>	<p><b>Turndown ratio</b></p> <p>10,000 : 1</p>	<p><b>Suction lift</b></p> <p>20 ft. (at sea level)</p>
<p><b>Exclusive</b></p> <p>Diaphragm Failure Detection (DFD)</p>	<p><b>Motor</b></p> <p>Brushless DC Motor</p>	<p><b>Weight</b></p> <p>8.5 lb. (3.8 kg)</p>	<p><b>Warranty</b></p> <p>5 Years</p>

### Dimensions

Dim	Inch	cm	Dim	Inch	cm
A	6.67"	16.94	F	7.18"	18.23
B	9.49"	24.10	G	6.52"	16.55
C	8.87"	22.54	H	10.40"	26.41
D	9.46"	24.02	I	4.32"	10.98
E	7.18"	18.23			



### What's in the box

MD1 Multi-Diaphragm Metering Pump with 1/4" x 3/8" tubing connections (1/2" MNPT and 1/2" Barb Connectors available. See Accessories and Spare Parts for options)

Discharge injection fitting with check valve (71000-555)

Suction foot valve (71010-261)

Suction ceramic weight

Mounting hardware kit

Display shield

Instruction manual

**Optional Accessories not included: Suction Tubing, Discharge Tubing, M12 connector cables, optional connectors (1/2" MNPT, 1/2" Hose Barb).**




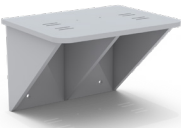







# Model Number Matrix

MD1

## CHEM-FEED® Model Number

<b>MD1</b>	CHEM-FEED® Diaphragm Metering Pump		
<b>Diaphragm and O-Rings Material</b>			
<b>V</b>	DiaFlex® Diaphragms and TFE/P O-Rings (For all chemicals excluding caustic soda and aqueous ammonia)		
<b>E</b>	Flex-A-Prene® Diaphragms and EP O-Rings (For caustic soda and aqueous ammonia)		
<b>Power Cord (Operating voltage requirement 96VAC to 264VAC)</b>			
<b>4</b>	115V 50/60Hz, power cord NEMA 5/15 plug (US)		
<b>6</b>	220V 50/60Hz, power cord CEE 7/V11 plug (EU)		
<b>MD1</b>	<b>V</b>	<b>1</b>	<b>4</b>
<b>Sample Model Number</b>			

## Accessories

 <p><b>KIT-S07</b> <b>KIT-S15</b> <b>KIT-S30</b></p> <p>* Includes cover and foot valve</p> <p>KIT-S07 (7 Gallon), KIT-S15 (15 Gallon), KIT-S30 (30 Gallon) STAR III TANKS, PP</p>	 <p><b>KIT-PSM</b> WALL MOUNT BRACKET, HDPE</p>	 <p><b>KIT-C5B</b> CD 1/2" HOSE BARB</p> <p>*KIT-C5M 1/2" MNPT also available</p>	
 <p><b>KIT-MB</b> FLOOR MOUNTING BRACKETS</p>	 <p><b>CABLE-UAC</b> USB A-C CABLE - 3 ft</p>	 <p><b>KIT-M12</b> TWO M12 CABLES - 9.8 ft</p>	 <p><b>KIT-CQA</b> QUICK CONNECT MD1 AFLAS</p> <p>*KIT-CQE EP O-RINGS</p>
<p>90010-663 115V/60Hz NEMA 5/15 90010-664 220V/50Hz CEE 7/V11 90010-665 230V/50Hz BS 1363/A 90010-666 240V/50Hz AS 3112 90010-696 230V/60Hz NEMA 6/15</p> <p><b>POWER CABLES - 6 ft</b></p>	 <p><b>71000-577</b> PVDF INJECTOR, 1/2" MNPT</p>	 <p><b>71000-849</b> FOOT VALVE, 1/2" MNPT</p>	<p><b>Teflon Ball Check Cartridge Valve Kit (TFE/P O-rings)</b> <b>20000-177</b></p> <p><b>** Contact factory for other options.</b></p>

Visit Accessory Pages for More Options

# MD3

## CHEM-FEED® Multi-Diaphragm Metering Pump



- > Diaphragm Failure Detection system senses diaphragm failure
- > Patented DiaFlex® offers zero breakdown, reducing maintenance
- > Smooth chemical dosing, no pulsation dampener needed
- > Near pulseless flow diaphragm metering
- > Signal inputs include: 4-20mA, pulse inputs, and Remote Start/Stop

### Highlights

<p><b>Flow range</b></p> <p>.03 - 52.6 GPH .10 - 199 LPH</p>	<p><b>Pressures up to</b></p> <p>145 PSI (10 bar)</p>	<p><b>Turndown ratio</b></p> <p>2,000 : 1</p>	<p><b>Suction lift</b></p> <p>23 ft. (at sea level)</p>
<p><b>Exclusive</b></p> <p>Diaphragm Failure Detection (DFD)</p>	<p><b>Motor</b></p> <p>Brushless DC Motor</p>	<p><b>Weight</b></p> <p>53 lb. (24.04 kg)</p>	<p><b>Warranty</b></p> <p>5 Years</p>

### Dimensions

Dim	Inch	cm	Dim	Inch	cm
A	16.13"	40.97	F	4.00"	10.15
B	15.25"	38.72	G	8.86"	22.50
C	15.33"	38.95	H	2.50"	6.35
D	8.30"	21.08	I	1.10"	2.79
E	7.18"	18.22			

### What's in the box

- MD3 Multi-Diaphragm Metering Pump
- Suction foot valve, PVDF, 1/2" MNPT (71000-849)
- Mounting hardware kit, including extended mounting brackets
- Fitting Kit
  - 1/2" M/NPT straight and elbow connections
  - 1/2" Hose barb straight and elbow connections
  - Union nuts
- USB Drive (Operating Manual)
- Quick Start Guide
- Not included: Injector, Suction Tubing, Discharge Tubing.**



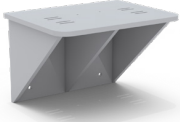


# Model Number Matrix

MD3

## CHEM-FEED® Model Number

<b>MD3</b>	CHEM-FEED® Multi-Diaphragm Metering Pump								
<b>Input Voltage / Power Cord</b>									
<b>4</b>	115V / 60Hz, power cord NEMA 5/15 plug (US)								
<b>5</b>	230V / 60Hz, power cord NEMA 6/15 plug (US)								
<b>6</b>	220V / 50HZ, power cord CEE 7/VII plug (EU)								
<b>8</b>	240V / 50HZ, power cord AS 3112 plug (Australia/New Zealand)								
<b>9</b>	230V / 50HZ, power cord BS 1363/A plug (United Kingdom)								
<b>X</b>	No Power Cord								
<b>Elastomer Material (O-Rings)</b>									
<b>V</b>	TFE/P								
<b>E</b>	EP								
<b>Miscellaneous Options</b> (leave blank for standard model)									
<b>S</b>	Flex-A-Prene® Diaphragms (Caustic Soda resistant diaphragms)								
<b>MD3</b>	<b>2</b>	<b>4</b>	<b>4</b>	<b>X</b>	<b>V</b>	<b>X</b>	<b>-</b>	<b>S</b>	<b>Sample Model Number</b>

## Accessories

 <p><b>KIT-PSM</b> Wall Mount Bracket, HDPE</p>	 <p><b>71000-579</b> PVDF INJECTOR, 1/2" Hose Barb <b>71000-577</b> PVDF INJECTOR, 1/2" MNPT</p>	 <p><b>76001-361</b> Suction Tubing, Clear PVC, 1/2" ID, 8ft <b>90008-437</b> Discharge Tubing, Braided PVC, 1/2" ID</p>	<p><b>Ball Check Cartridge Options</b></p> <p><b>20000-228 (2 req.)</b> Ball Check Cart. Hastelloy Balls <b>20000-229 (2 req.)</b> Ball Check Cart. PTFE Balls <b>70001-409 (4 req.)</b> Ball Check Cart., Single Ceramic Ball with Hastelloy Spring</p>
--	---	--	--

Visit Accessory Pages for More Options



# DIAPHRAGM PUMP WARRANTY

## LIMITED WARRANTY

Your Blue-White product is a quality product and is warranted for a specific time from date of purchase (proof of purchase is required). The product will be repaired or replaced at our discretion. Failure must have occurred due to defect in material or workmanship and not as a result of operation of the product other than in normal operation as defined in the product manual. Warranty status is determined by the product's serial label and the sales invoice or receipt. The serial label must be on the product and legible. The warranty status of the product will be verified by Blue-White or a factory authorized service center.

CHEM-FEED® MC2 and MC3 pumps are warranted for 2 years from date of purchase (proof of purchase is required). CHEM-FEED® MD1 and MD3 pumps are warranted for 5 years from date of purchase (proof of purchase is required). Pumps will be repaired or replaced at our discretion.

DIAFLEX® diaphragms are warranted for the life of the pump. Blue-White will replace a damaged diaphragm at no cost to the customer provided the pump was at all times operated within the guidelines included in the pump's operation manual. This warranty only applies to DIAFLEX® diaphragms, not the pumps themselves. Blue-White pumps are separately covered by warranties specific to them.

## WHAT IS NOT COVERED

- Rubber components and wear components. They are perishable and require periodic replacement.
- Pump removal, or re-installation, and any related labor charge.
- Freight to the factory, or service center.
- Products that have been tampered with, or in pieces.
- Damage resulting from misuse, carelessness such as chemical spills on the enclosure, abuse, lack of maintenance, or alteration which is out of our control.
- Damage by faulty wiring, power surges or acts of nature.

BLUE-WHITE does not assume responsibility for any loss, damage, or expense directly or indirectly related to or arising out of the use of its products. Failure must have occurred due to defect in material or workmanship and not as a result of operation of the product other than in normal operation as defined in the pump manual.

Warranty status is determined by the pump's serial label and the sales invoice or receipt. The serial label must be on the pump and legible. The warranty status of the pump will be verified by Blue-White or a factory authorized service center.

## PROCEDURE FOR IN WARRANTY REPAIR

Warranty service must be performed by the factory or an authorized service center. Contact the factory or local repair center to obtain a RMA (Return Material Authorization) number. It is recommended to include foot strainer and injection/check valve fitting since these devices may be clogged and part of the problem. Decontaminate, dry, and carefully pack the product to be repaired. Please enclose a brief description of the problem and proof of purchase. Prepay all shipping and insurance cost. COD shipments will not be accepted. Damage caused by improper packaging is the responsibility of the sender. When In-Warranty repair is completed, the factory pays for return shipping to the dealer or customer.

## PRODUCT USE WARNING

Blue-White products are manufactured to meet the highest quality standards in the industry. Each product instruction manual includes a description of the associated product warranty and provides the user with important safety information. Purchasers, installers, and operators of Blue-White products should take the time to inform themselves about the safe operation of these products. In addition, Customers are expected to do their own due diligence regarding which products and materials are best suited for their intended applications. BLUE-WHITE is pleased to assist in this effort but does not guarantee the suitability of any particular product for any specific application as Blue-White does not have the same degree of familiarity with the application that the customer/end user has. While BLUE-WHITE will honor all of its product warranties according to their terms and conditions, Blue-White shall only be obligated to repair or replace its defective parts or products in accordance with the associated product warranties.

**BLUE-WHITE SHALL NOT BE LIABLE EITHER IN TORT OR IN CONTRACT FOR ANY LOSS OR DAMAGE WHETHER DIRECT, INDIRECT, INCIDENTAL, OR CONSEQUENTIAL, ARISING OUT OF OR RELATED TO THE FAILURE OF ANY OF ITS PARTS OR PRODUCTS OR OF THEIR NONSUITABILITY FOR A GIVEN PURPOSE OR APPLICATION.**

## CHEMICAL RESISTANCE WARNING

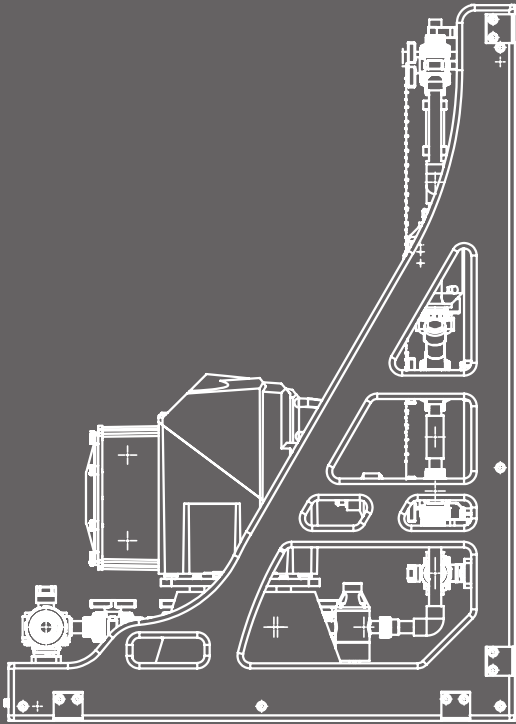
BLUE-WHITE offers a wide variety of wetted parts. Purchasers, installers, and operators of Blue-White products must be well informed and aware of the precautions to be taken when injecting or measuring various chemicals, especially those considered to be irritants, contaminants or hazardous. Customers are expected to do their own due diligence regarding which products and materials are best suited for their applications, particularly as it may relate to the potential effects of certain chemicals on Blue-White products and the potential for adverse chemical interactions. Blue-White tests its products with water only. The chemical resistance information included in this instruction manual was supplied to BLUE-WHITE by reputable sources, but Blue-White is not able to vouch for the accuracy or completeness thereof. While BLUE-WHITE will honor all of its product warranties according to their terms and conditions, Blue-White shall only be obligated to repair or replace its defective parts or products in accordance with the associated product warranties.

**BLUE-WHITE SHALL NOT BE LIABLE EITHER IN TORT OR IN CONTRACT FOR ANY LOSS OR DAMAGE, WHETHER DIRECT, INDIRECT, INCIDENTAL, OR CONSEQUENTIAL, ARISING OUT OF OR RELATED TO THE USE OF CHEMICALS IN CONNECTION WITH ANY BLUE-WHITE PRODUCTS.**

Users of electrical and electronic equipment (EEE) with the WEEE marking per Annex IV of the WEEE Directive must not dispose of end of life EEE as unsorted municipal waste, but use the collection framework available to them for the return, recycle, recovery of WEEE and minimize any potential effects of EEE on the environment and human health due to the presence of hazardous substances. The WEEE marking applies only to countries within the European Union (EU) and Norway. Appliances are labeled in accordance with European Directive 2002/96/EC. Contact your local waste recovery agency for a Designated Collection Facility in your area.

# MUNICIPAL

## Skid Systems



**Blue-White**<sup>®</sup>

# CFPS-1

## CHEM-FEED® Plastic Simplex Skid System



- > Chemically resistant polyethylene structure
- > Leak free, threadless connections
- > Pressure Relief Valve protects the system from over-pressurization
- > Check Valve protects the user from back-flow
- > Flow Indicator provides a visual indication of chemical movement

### Highlights

#### Piping

PVC Schedule 80  
(optional CPVC, PVDF,  
and Chem Proline®)

#### Pressures up to

150 PSI  
(10.3 bar)

#### Compatibility

M1, M2, M3, M4,  
MC2, MC3, MD1,  
MD3

#### Drip tray

2.22 Gal  
(8.4L)

#### Frame material

Polyethylene

#### Mounting position

Floor or wall

#### Skid weight

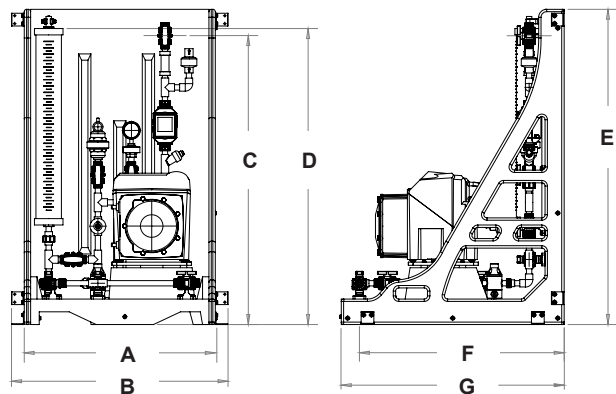
80 lb.  
(36 Kg)

#### Warranty

2 Years

### Dimensions

Dim	Inch	cm	Dim	Inch	cm
A	30.00"	76.20	E	49.50"	125.73
B	34.00"	86.36	F	32.15"	81.65
C	8.87"	22.54	G	35.00"	88.90
D	45.37"	115.24			



### What's in the box

#### Standard

- Pressure Relief Valve
- Check Valve
- Flow Indicator
- Inlet Y Strainer
- Inlet/outlet connection tubing
- Wall/Floor Mounting brackets
- USB Drive (Operating Manual)

#### Optional Components(See product matrix)

- Calibration Cylinder
- Pulsation Dampener
- Pressure Gauge with Guard
- Pressure Switch
- Back Pressure Valve
- MS6 Chemical Flow meter
- Terminal Box
- Electrical Outlet Box



# Model Number Matrix

\*Consult factory for pricing

CFPS-1-M

## CHEM-FEED® Simplex Skid System Matrix - Municipal

**CFPS-1** Single pump system - PE structure

### Inlet/Outlet

<b>A</b>	Single Inlet / Single Outlet
<b>X</b>	None, Skid Panel Only

### Piping/Unions

<b>A</b>	PVC	<b>B</b>	CPVC	<b>C</b>	PVDF	<b>D</b>	Chem Proline®
----------	-----	----------	------	----------	------	----------	---------------

### Seals

<b>V</b>	FKM	<b>E</b>	EPDM
----------	-----	----------	------

### Tubing Connections

<b>A</b>	1/2" ID PVC Braided	<b>B</b>	1/2" ID PTFE	<b>C</b>	1/4" ID PE	<b>D</b>	1/4" ID PTFE
----------	------------------------	----------	-----------------	----------	---------------	----------	-----------------

### Calibration Column

<b>A</b>	128 GPH (4000 ml) PVC	<b>F</b>	3 GPH (100 ml) PVC
<b>B</b>	64 GPH (2000 ml) PVC	<b>P</b>	32 GPH (1000 ml) Glass
<b>C</b>	32 GPH (1000 ml) PVC	<b>Q</b>	16 GPH (500 ml) Glass
<b>D</b>	16 GPH (500 ml) PVC	<b>R</b>	8 GPH (250 ml) Glass
<b>E</b>	8 GPH (250 ml) PVC	<b>S</b>	3 GPH (100 ml) Glass

### Pulsation Dampener

<b>P</b>	10 cubic in	<b>X</b>	Not Included
----------	-------------	----------	--------------

### Back Pressure Valve

<b>B</b>	Included	<b>X</b>	Not Included
----------	----------	----------	--------------

### Pressure Gauge w/Guard

<b>A</b>	200 PSI	<b>B</b>	100 PSI	<b>C</b>	30 PSI
----------	---------	----------	---------	----------	--------

### Pressure Switch w/Guard

<b>S</b>	Included	<b>X</b>	Not Included
----------	----------	----------	--------------

### Flow Meter w/Strainer

<b>A</b>	10-5000 ml/m	<b>B</b>	100-10000 ml/m
<b>X</b>	Not Included		

### Terminal Box

<b>T</b>	Included	<b>X</b>	Not Included
----------	----------	----------	--------------

### Pumps

<b>P</b>	Mounted	<b>X</b>	Not Included
----------	---------	----------	--------------

### Pump Model (purchased separately)

<b>-XX</b>	Specify Model used on Skid
------------	----------------------------

CFPS-1	M	A	A	V	A	A	P	B	A	S	A	T	P	-M3S24-MNGG	Sample Model Number
--------	---	---	---	---	---	---	---	---	---	---	---	---	---	-------------	---------------------

**NOTE:** When ordering pumps for skids, pump head orientation is standard LEFT facing only.

# CFPS-2

## CHEM-FEED® Plastic Duplex Skid System



- > Chemically resistant polyethylene structure
- > Leak free, threadless connections
- > Pressure Relief Valve protects the system from over-pressurization
- > Check Valve protects the user from back-flow
- > Flow Indicator provides a visual indication of chemical movement

### Highlights

#### Piping

PVC Schedule 80  
(optional CPVC, PVDF,  
and Chem Proline®)

#### Pressures up to

150 PSI  
(10.3 bar)

#### Compatibility

M1, M2, M3, M4,  
MC2, MC3, MD1,  
MD3

#### Drip tray

2.3 Gal  
(11.4L)

#### Frame material

Polyethylene

#### Mounting position

Floor or wall

#### Skid weight

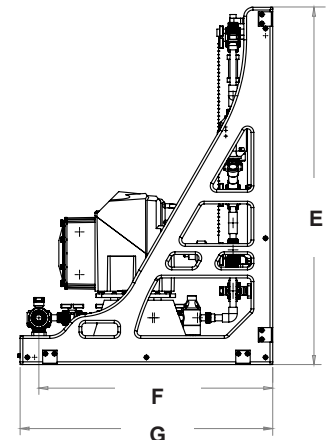
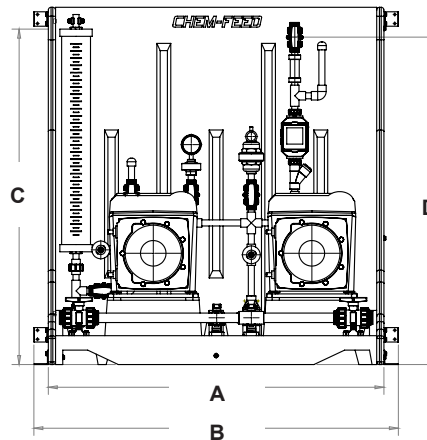
120 lb.  
(54 kg)

#### Warranty

2 Years

### Dimensions

Dim	Inch	cm	Dim	Inch	cm
A	46.50"	118.11	E	49.50"	125.73
B	50.50"	128.27	F	32.40"	82.30
C	46.47"	118.04	G	35.00"	88.90
D	45.37"	115.24			



### What's in the box

#### Standard

- Pressure Relief Valve
- Check Valve
- Flow Indicator
- Inlet Y Strainer
- Inlet/outlet connection tubing
- Wall/Floor Mounting brackets
- USB Drive (Operating Manual)

#### Optional Components(See product matrix)

- Calibration Cylinder
- Pulsation Dampener
- Pressure Gauge with Guard
- Pressure Switch
- Back Pressure Valve
- MS6 Chemical Flow meter
- Terminal Box
- Electrical Outlet Box



# Model Number Matrix

\*Consult factory for pricing

CFPS-2-M

## CHEM-FEED® Duplex Skid System Matrix - Municipal

<b>CFPS-2</b>													Dual pump system - PE structure																																																																																																																																																																																																		
<b>Inlet/Outlet</b>																																																																																																																																																																																																															
<b>A</b>		Single Inlet / Single Outlet																																																																																																																																																																																																													
<b>B</b>		Single Inlet / Dual Outlet																																																																																																																																																																																																													
<b>X</b>		None, Skid Panel Only																																																																																																																																																																																																													
<b>Piping/Unions</b>																																																																																																																																																																																																															
<b>A</b>				<b>B</b>				<b>C</b>				<b>D</b>																																																																																																																																																																																																			
PVC				CPVC				PVDF				Chem Proline®																																																																																																																																																																																																			
<b>Seals</b>																																																																																																																																																																																																															
<b>V</b>				<b>E</b>																																																																																																																																																																																																											
FKM				EPDM																																																																																																																																																																																																											
<b>Tubing Connections</b>																																																																																																																																																																																																															
<b>A</b>				<b>B</b>				<b>C</b>				<b>D</b>																																																																																																																																																																																																			
1/2" ID PVC Braided				1/2" ID PTFE				1/4" ID PE				1/4" ID PTFE																																																																																																																																																																																																			
<b>Calibration Column</b>																																																																																																																																																																																																															
<b>A</b>				<b>F</b>																																																																																																																																																																																																											
128 GPH (4000 ml) PVC				3 GPH (100 ml) PVC																																																																																																																																																																																																											
<b>B</b>				<b>P</b>																																																																																																																																																																																																											
64 GPH (2000 ml) PVC				32 GPH (1000 ml) Glass																																																																																																																																																																																																											
<b>C</b>				<b>Q</b>																																																																																																																																																																																																											
32 GPH (1000 ml) PVC				16 GPH (500 ml) Glass																																																																																																																																																																																																											
<b>D</b>				<b>R</b>																																																																																																																																																																																																											
16 GPH (500 ml) PVC				8 GPH (250 ml) Glass																																																																																																																																																																																																											
<b>E</b>				<b>S</b>																																																																																																																																																																																																											
8 GPH (250 ml) PVC				3 GPH (100 ml) Glass																																																																																																																																																																																																											
<b>Pulsation Dampener</b> (One dampener provided. Contact factory for second dampener.)																																																																																																																																																																																																															
<b>P</b>				<b>X</b>																																																																																																																																																																																																											
10 cubic in				Not Included																																																																																																																																																																																																											
<b>Back Pressure Valve</b>																																																																																																																																																																																																															
<b>B</b>				<b>X</b>																																																																																																																																																																																																											
Included				Not Included																																																																																																																																																																																																											
<b>Pressure Gauge w/Guard</b>																																																																																																																																																																																																															
<b>A</b>				<b>B</b>				<b>C</b>																																																																																																																																																																																																							
200 PSI				100 PSI				30 PSI																																																																																																																																																																																																							
<b>Pressure Switch w/Guard</b>																																																																																																																																																																																																															
<b>S</b>				<b>X</b>																																																																																																																																																																																																											
Included				Not Included																																																																																																																																																																																																											
<b>Flow Meter w/Strainer</b>																																																																																																																																																																																																															
<b>A</b>				<b>B</b>																																																																																																																																																																																																											
10-5000 ml/m				100-10000 ml/m																																																																																																																																																																																																											
<b>X</b>																																																																																																																																																																																																															
Not Included																																																																																																																																																																																																															
<b>Terminal Box</b>																																																																																																																																																																																																															
<b>T</b>				<b>X</b>																																																																																																																																																																																																											
Included				Not Included																																																																																																																																																																																																											
<b>Pumps</b>																																																																																																																																																																																																															
<b>P</b>				<b>X</b>																																																																																																																																																																																																											
Mounted				Not Included																																																																																																																																																																																																											
<b>Pump Model (Purchased separately)</b>																																																																																																																																																																																																															
<b>-XX</b>				Specify Model used on Skid *																																																																																																																																																																																																											
<b>CFPS-2</b>													<b>M</b>													<b>A</b>													<b>A</b>													<b>V</b>													<b>A</b>													<b>A</b>													<b>P</b>													<b>B</b>													<b>A</b>													<b>S</b>													<b>A</b>													<b>T</b>													<b>P</b>													<b>-M3S24-BNGG</b>													<b>Sample Model Number</b>												

**NOTE:** When ordering pumps for skids, pump head orientation is standard LEFT facing only. \*When ordering skid with pumps of different model numbers, please use "-XX" and include complete model number of each pump and location on skid with order.

# CFPS-3

## CHEM-FEED® Plastic Triplex Skid System



- > Chemically resistant polyethylene structure
- > Leak free, threadless connections
- > Pressure Relief Valve protects the system from over-pressurization
- > Check Valve protects the user from back-flow
- > Flow Indicator provides a visual indication of chemical movement

### Highlights

#### Piping

PVC Schedule 80  
(optional CPVC, PVDF,  
and Chem Proline®)

#### Pressures up to

150 PSI  
(10.3 bar)

#### Compatibility

M1, M2, M3, M4,  
MC2, MC3, MD1,  
MD3

#### Drip tray

2.74 Gallons  
(10.37L)

#### Frame material

Polyethylene

#### Mounting position

Floor only

#### Skid weight

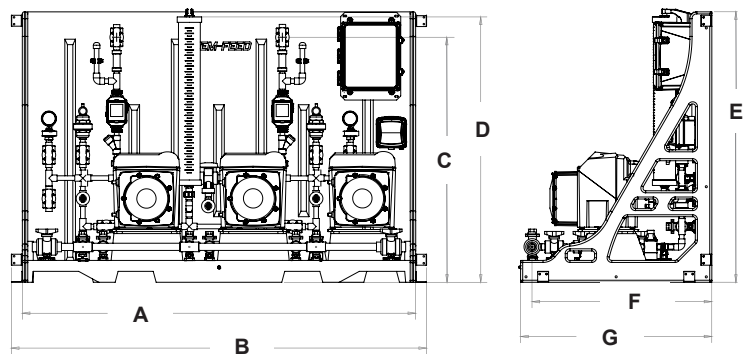
200 lb.  
(91 Kg)

#### Warranty

2 Years

### Dimensions

Dim	Inch	cm	Dim	Inch	cm
A	72.00"	182.88	E	49.50"	125.73
B	76.00"	193.04	F	32.91"	83.59
C	44.85"	113.92	G	35.00"	88.90
D	48.57"	123.37			



### What's in the box

#### Standard

- Pressure Relief Valve
- Check Valve
- Flow Indicator
- Inlet Y Strainer
- Inlet/outlet connection tubing
- Wall/Floor Mounting brackets
- USB Drive (Operating Manual)

#### Optional Components(See product matrix)

- Calibration Cylinder
- Pulsation Dampener
- Pressure Gauge with Guard
- Pressure Switch
- Back Pressure Valve
- MS6 Chemical Flow meter
- Terminal Box
- Electrical Outlet Box



# Model Number Matrix

\*Consult factory for pricing

CFPS-3-M

## CHEM-FEED® Triplex Skid System Matrix - Municipal

<b>CFPS-3</b>	Triple pump system - PE structure														
<b>Inlet/Outlet</b>															
<b>A</b>	Single Inlet / Dual Outlet														
<b>B</b>	Single Inlet / Triple Outlet														
<b>X</b>	None, Skid Panel Only														
<b>Piping/Unions</b>															
<b>A</b>	PVC			<b>B</b>	CPVC			<b>C</b>	PVDF			<b>D</b>	Chem Proline®		
<b>Seals</b>															
<b>V</b>	FKM				<b>E</b>	EPDM									
<b>Tubing Connections</b>															
<b>A</b>	1/2" ID PVC Braided			<b>B</b>	1/2" ID PTFE			<b>C</b>	1/4" ID PE			<b>D</b>	1/4" ID PTFE		
<b>Calibration Column</b>															
<b>A</b>	128 GPH (4000 ml) PVC					<b>F</b>	3 GPH (100 ml) PVC								
<b>B</b>	64 GPH (2000 ml) PVC					<b>P</b>	32 GPH (1000 ml) Glass								
<b>C</b>	32 GPH (1000 ml) PVC					<b>Q</b>	16 GPH (500 ml) Glass								
<b>D</b>	16 GPH (500 ml) PVC					<b>R</b>	8 GPH (250 ml) Glass								
<b>E</b>	8 GPH (250 ml) PVC					<b>S</b>	3 GPH (100 ml) Glass								
<b>Pulsation Dampener</b>															
<b>P</b>	10 cubic in				<b>X</b>	Not Included									
<b>Back Pressure Valve</b>															
<b>B</b>	Included				<b>X</b>	Not Included									
<b>Pressure Gauge w/Guard</b>															
<b>A</b>	200 PSI			<b>B</b>	100 PSI			<b>C</b>	30 PSI						
<b>Pressure Switch w/Guard</b>															
<b>S</b>	Included				<b>X</b>	Not Included									
<b>Flow Meter w/Strainer</b>															
<b>A</b>	10-5000 ml/m					<b>B</b>	100-10000 ml/m								
<b>X</b>	Not Included														
<b>Terminal Box</b>															
<b>T</b>	Included				<b>X</b>	Not Included									
<b>Pumps</b>															
<b>P</b>	Mounted				<b>X</b>	Not Included									
<b>Pump Model (Purchased separately)</b>															
<b>-XX</b>	Specify Model used on Skid *														
<b>CFPS-3</b>	<b>M</b>	<b>A</b>	<b>A</b>	<b>V</b>	<b>A</b>	<b>A</b>	<b>P</b>	<b>B</b>	<b>A</b>	<b>S</b>	<b>A</b>	<b>T</b>	<b>P</b>	<b>-M3S24-MNGG</b>	<b>Sample Model Number</b>

**NOTE:** When ordering pumps for skids, pump head orientation is standard LEFT facing only. \*When ordering skid with pumps of different model numbers, please use "-XX" and include complete model number of each pump and location on skid with order.



# CFWS-1

## CHEM-FEED® Wall Mount Simplex Skid System

- > Chemically resistant polyethylene structure
- > Leak free, threadless connections
- > Pressure Relief Valve protects the system from over-pressurization
- > Check Valve protects the user from back-flow
- > Flow Indicator provides a visual indication of chemical movement



### Highlights

#### Piping

PVC Schedule 80  
(optional CPVC, PVDF,  
and Chem Proline®)

#### Pressures up to

150 PSI  
(10.3 bar)

#### Compatibility

M1, M2, M3, M4,  
MC2, MC3, MD1,  
MD3

#### Pump Shelf

Polyethylene

#### Frame material

Polyethylene

#### Mounting position

Wall Only

#### Skid weight

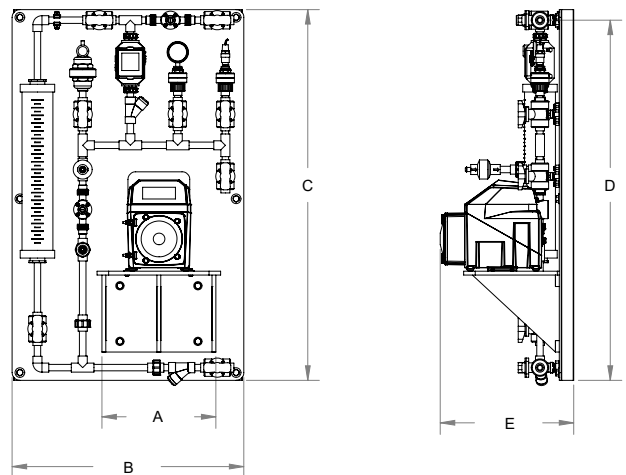
45 lb.  
(20 Kg)

#### Warranty

2 Years

### Dimensions

Dim	Inch	cm	Dim	Inch	cm
A	14.75"	37.5	D	46.63"	118.4
B	30.00"	76.2	E	17.29"	43.9
C	48.00"	121.9			



### What's in the box

#### Standard

- Pressure Relief Valve
- Check Valve
- Inlet Y Strainer
- Inlet/outlet connection tubing
- Wall Mounting brackets
- USB Drive (Operating Manual)

#### Optional Components(See product matrix)

- Calibration Cylinder
- Pulsation Dampener
- Pressure Gauge with Guard
- Pressure Switch
- Back Pressure Valve
- MS6 Chemical Flow meter
- Terminal Box
- Electrical Outlet Box



# Model Number Matrix

\*Consult factory for pricing

CFWS-1-M

## CHEM-FEED® Simplex Wall Skid System - Municipal

**CFWS-1** Single pump system - single chemical / single outlet, PE structure

### Inlet/Outlet

<b>A</b>	Single Inlet / Single Outlet
<b>X</b>	None, Skid Panel Only

### Piping/Unions

<b>A</b>	PVC	<b>C</b>	PVDF
<b>B</b>	CPVC	<b>D</b>	CHEM PROLINE®

### Seals

<b>V</b>	FKM	<b>E</b>	EPDM
----------	-----	----------	------

### Tubing Connections

<b>A</b>	1/2" ID PVC Braided	<b>C</b>	1/4" ID PE
<b>B</b>	1/2" ID PTFE	<b>D</b>	1/4" ID PTFE

### Calibration Column

<b>A</b>	128 GPH (4000 ml) PVC	<b>F</b>	3 GPH (100 ml) PVC
<b>B</b>	64 GPH (2000 ml) PVC	<b>P</b>	32 GPH (1000 ml) Glass
<b>C</b>	32 GPH (1000 ml) PVC	<b>Q</b>	16 GPH (500 ml) Glass
<b>D</b>	16 GPH (500 ml) PVC	<b>R</b>	8 GPH (250 ml) Glass
<b>E</b>	8 GPH (250 ml) PVC	<b>S</b>	3 GPH (100 ml) Glass

### Pulsation Dampener

<b>P</b>	10 cubic in	<b>X</b>	Not Included
----------	-------------	----------	--------------

### Back Pressure Valve

<b>B</b>	Included	<b>X</b>	Not Included
----------	----------	----------	--------------

### Pressure Gauge w/Guard

<b>A</b>	200 PSI	<b>B</b>	100 PSI	<b>C</b>	30 PSI
----------	---------	----------	---------	----------	--------

### Pressure Switch w/Guard

<b>S</b>	Included	<b>X</b>	Not Included
----------	----------	----------	--------------

### Flow Meter w/Strainer

<b>A</b>	10-5000 mL/min
<b>B</b>	100-10000 mL/min
<b>X</b>	Not Included

<b>CFWS-1</b>	<b>M</b>	<b>A</b>	<b>A</b>	<b>V</b>	<b>A</b>	<b>A</b>	<b>P</b>	<b>B</b>	<b>A</b>	<b>S</b>	<b>A</b>	<b>X</b>	<b>X</b>	<b>Sample Model Number</b>
---------------	----------	----------	----------	----------	----------	----------	----------	----------	----------	----------	----------	----------	----------	----------------------------

**NOTES:** When ordering pumps for skids, pump head orientation is standard LEFT facing only. Terminal Boxes quoted and mounted separately. All skids are pressure tested prior to shipment. Pumps are purchased and shipped separately.

# CFWS-2

## CHEM-FEED® Wall Mount Duplex Skid System

- > Chemically resistant polyethylene structure
- > Leak free, threadless connections
- > Pressure Relief Valve protects the system from over-pressurization
- > Check Valve protects the user from back-flow
- > Flow Indicator provides a visual indication of chemical movement



### Highlights

#### Piping

PVC Schedule 80  
(optional CPVC, PVDF,  
and Chem Proline®)

#### Pressures up to

150 PSI  
(10.3 bar)

#### Compatibility

M1, M2, M3, M4,  
MC2, MC3, MD1,  
MD3

#### Pump Shelf

Polyethylene

#### Frame material

Polyethylene

#### Mounting position

Floor only

#### Skid weight

80 lb.  
(36 Kg)

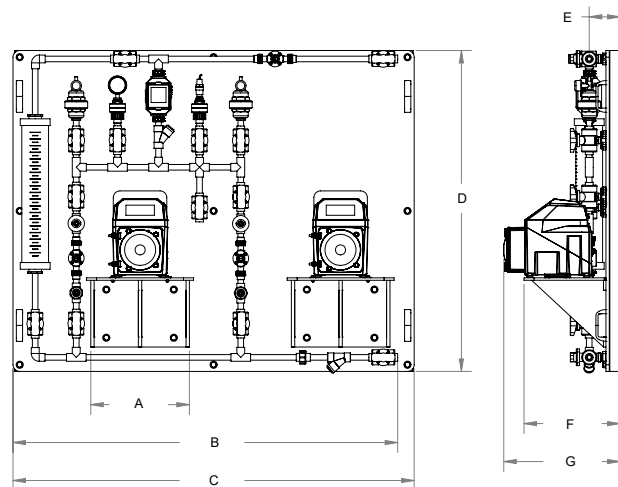
#### Warranty

2 Years

### Dimensions

Dim	Inch	cm
A	14.75"	37.5
B	57.53"	146.1
C	60.00"	152.4
D	48.00"	121.9

Dim	Inch	cm
E	4.63"	117.0
F	14.38"	36.5
G	17.41"	44.2



### What's in the box

#### Standard

- Pressure Relief Valve
- Check Valve
- Inlet Y Strainer
- Inlet/outlet connection tubing
- Wall Mounting brackets
- USB Drive (Operating Manual)

#### Optional Components(See product matrix)

- Calibration Cylinder
- Pulsation Dampener
- Pressure Gauge with Guard
- Pressure Switch
- Back Pressure Valve
- MS6 Chemical Flow meter
- Terminal Box
- Electrical Outlet Box



# Model Number Matrix

\*Consult factory for pricing

CFWS-2-M

## CHEM-FEED® Duplex Wall Skid System Matrix - Municipal

**CFWS-2** Duplex pump system - single chemical / single outlet, PE structure

### Inlet/Outlet

<b>A</b>	Single Inlet / Single Outlet
<b>X</b>	None, Skid Panel Only

### Piping/Unions

<b>A</b>	PVC	<b>C</b>	PVDF
<b>B</b>	CPVC	<b>D</b>	CHEM PROLINE®

### Seals

<b>V</b>	FKM	<b>E</b>	EPDM
----------	-----	----------	------

### Tubing Connections

<b>A</b>	1/2" ID PVC Braided	<b>C</b>	1/4" ID PE
<b>B</b>	1/2" ID PTFE	<b>D</b>	1/4" ID PTFE

### Calibration Column

<b>A</b>	128 GPH (4000 ml) PVC	<b>F</b>	3 GPH (100 ml) PVC
<b>B</b>	64 GPH (2000 ml) PVC	<b>P</b>	32 GPH (1000 ml) Glass
<b>C</b>	32 GPH (1000 ml) PVC	<b>Q</b>	16 GPH (500 ml) Glass
<b>D</b>	16 GPH (500 ml) PVC	<b>R</b>	8 GPH (250 ml) Glass
<b>E</b>	8 GPH (250 ml) PVC	<b>S</b>	3 GPH (100 ml) Glass

### Pulsation Dampener (10 cubic in.)

<b>P</b>	Two Dampeners	<b>D</b>	One Dampener	<b>X</b>	Not Included
----------	---------------	----------	--------------	----------	--------------

### Back Pressure Valve

<b>B</b>	Included	<b>X</b>	Not Included
----------	----------	----------	--------------

### Pressure Gauge w/Guard

<b>A</b>	200 PSI	<b>B</b>	100 PSI	<b>C</b>	30 PSI
----------	---------	----------	---------	----------	--------

### Pressure Switch w/Guard

<b>S</b>	Included	<b>X</b>	Not Included
----------	----------	----------	--------------

### Flow Meter w/Strainer

<b>A</b>	10-5000 mL/min
<b>B</b>	100-10000 mL/min
<b>X</b>	Not Included

**CFWS-2** **M** **A** **A** **V** **A** **A** **P** **B** **A** **S** **A** **X** **X** **Sample Model Number**

**NOTES:** When ordering pumps for skids, pump head orientation is standard LEFT facing only. Terminal Boxes quoted and mounted separately. All skids are pressure tested prior to shipment. Pumps are purchased and shipped separately.

# CFS-1

## CHEM-FEED® Aluminum Simplex Skid System



- > The pre-fabricated design allows for easy installation
- > Strong, lightweight polyester powder coated welded aluminum structure
- > Dual side inlets enable connection of multiple skids to the same inlet
- > Flow Indicator provides a visual indication of chemical movement
- > Optional Flow Verification Sensor for monitoring system

### Highlights

#### Piping

PVC Schedule 80  
(optional CPVC)

#### Pressures up to

150 PSI  
(10.3 bar)

#### Compatibility

M1, M2, M3, M4,  
MC2, MC3, MD1,  
MD3

#### Drip tray

4 Gallons  
(15.1L)

#### Frame material

Powder coated  
aluminum

#### Mounting position

Floor or wall

#### Skid weight

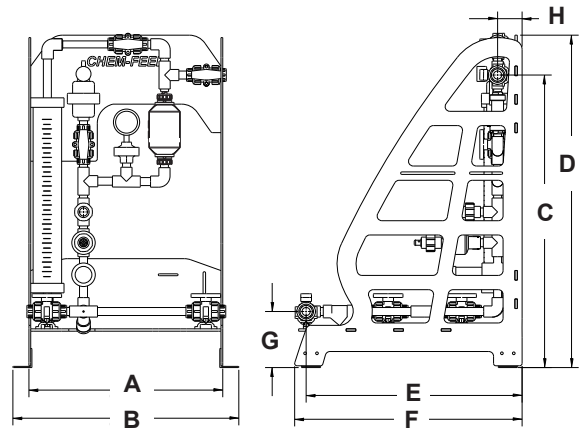
60 lb.  
(27.2 kg)

#### Warranty

2 Years

### Dimensions

Dim	Inch	cm	Dim	Inch	cm
A	20.25"	51.40	E	22.75"	57.80
B	23.75"	60.30	F	24.00"	61.00
C	30.75"	78.10	G	6.00"	15.20
D	35.00"	88.90	H	2.50"	6.40



### What's in the box

#### Standard

- Pressure Relief Valve
- Check Valve
- Flow Indicator
- Inlet Y Strainer
- Mounting Pads
- USB Drive (Operating Manual)

#### Optional Components(See product matrix)

- MS6 Chemical Flow meter
- Calibration Cylinder
- Pulsation Dampener
- Pressure Gauge with Guard



# Model Number Matrix

\*Consult factory for pricing

## CHEM-FEED® Engineered Skid System - Muncipal

<b>CFS-1</b>	Municipal Single pump system - single chemical / single outlet
--------------	--

### Piping / Valves / Unions / Seal Materials

<b>A</b>	PVC piping, FKM seals, 1/2" ID PVC braided tubing connections	<b>E</b>	CPVC piping, FKM seals 1/2" ID PVC braided tubing connections
<b>B</b>	PVC piping, EPDM seals, 1/2" ID PVC braided tubing connections	<b>F</b>	CPVC piping, EPDM seals 1/2" ID OD PVC braided tubing connections
<b>C</b>	PVC piping, FKM seals, 1/4" ID polyethylene tubing connections	<b>G</b>	CPVC piping, FKM seals 1/4" ID Polyethylene tubing connections
<b>D</b>	PVC piping, EPDM seals, 1/4" ID Polyethylene tubing connections	<b>H</b>	CPVC piping, EPDM seals 1/4" ID Polyethylene tubing connections
<b>X</b>	Skid frame only without piping		

### Structure Assembly Materials

<b>A</b>	Chemical resistant powder coated aluminum stand with 316SS mounting pads
----------	--

### Chemical Feed Flow Meter

<b>A</b>	MS612 chemical feed flow meter with meter mount display, 10-5,000 ml/min (0.158 - 79.2 GPH)
<b>B</b>	MS622 chemical feed flow meter with meter mount display, 100-10,000 ml/min (1.58 - 158.5 GPH)
<b>X</b>	None

### Calibration Cylinder

		PVC		Glass	
<b>A</b>	64 GPH (2000 ml)	<b>A</b>			
<b>B</b>	32 GPH (1000 ml)	<b>B</b>		<b>P</b>	
<b>C</b>	16 GPH (500 ml)	<b>C</b>		<b>Q</b>	
<b>D</b>	8 GPH (250 ml)	<b>D</b>		<b>R</b>	
<b>E</b>	3 GPH (100 ml)	<b>E</b>		<b>S</b>	
<b>X</b>	None				

### Pulsation Dampener

<b>A</b>	10 cubic inch, CPVC body, PTFE diaphragm	<b>X</b>	NONE
----------	--	----------	------

### Pressure Gauge w/Guard

<b>A</b>	200 PSI gauge, PTFE diaphragm	<b>C</b>	30 PSI gauge, PTFE diaphragm
<b>B</b>	100 PSI gauge, PTFE diaphragm	<b>X</b>	None

### Miscellaneous Options (leave blank if not specified)

<b>A</b>	Isolation ball shut-off valves at check valves
<b>1</b>	Install a specific pump model on the skid and perform pressure and fluid testing

<b>CFS-1</b>	<b>A</b>	<b>A</b>	-	<b>A</b>	<b>A</b>	<b>A</b>	<b>A</b>	-	<b>A</b>	<b>Sample Model Number</b>
--------------	----------	----------	---	----------	----------	----------	----------	---	----------	----------------------------

**NOTE:** All skid systems ship with the following in/out union connections: 1/2" PVC female NPT, 1/2" PVC slip glue. Pump sold separately. When ordering pumps for skids, pump head orientation is standard LEFT facing only.

# CFS-2

## CHEM-FEED® Aluminum Duplex Skid System

- > The pre-fabricated design allows for easy installation
- > Strong, lightweight polyester powder coated welded aluminum structure
- > Dual side inlets enable connection of multiple skids to the same inlet
- > Flow Indicator provides a visual indication of chemical movement
- > Optional Flow Verification Sensor for monitoring system



### Highlights

#### Piping

PVC Schedule 80  
(optional CPVC)

#### Pressures up to

150 PSI  
(10.3 bar)

#### Compatibility

M1, M2, M3, M4,  
MC2, MC3, MD1,  
MD3

#### Drip tray

8 Gallons  
(30.3L)

#### Frame material

Powder coated  
aluminum

#### Mounting position

Floor or wall

#### Skid weight

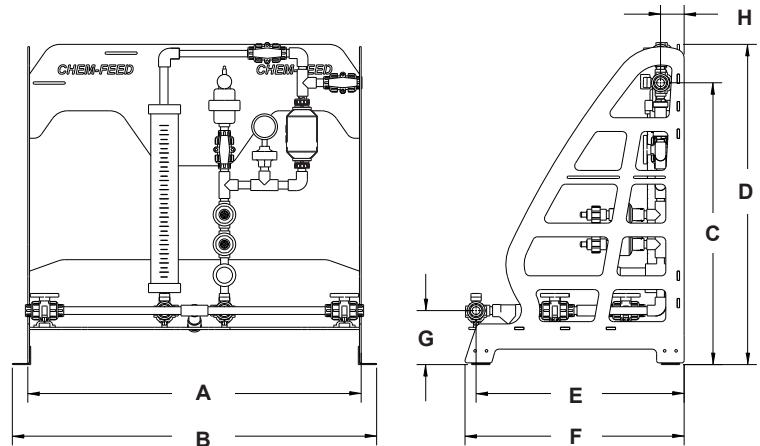
70 lb.  
(31.8 kg)

#### Warranty

2 Years

### Dimensions

Dim	Inch	cm	Dim	Inch	cm
A	36.25"	92.10	E	22.75"	57.80
B	39.75"	101.00	F	24.00"	61.00
C	30.75"	78.10	G	6.00"	15.20
D	35.00"	88.90	H	2.50"	6.40



### What's in the box

#### Standard

- Pressure Relief Valve
- Check Valve
- Flow Indicator
- Inlet Y Strainer
- Mounting Pads
- USB Drive (Operating Manual)

#### Optional Components(See product matrix)

- MS6 Chemical Flow meter
- Calibration Cylinder
- Pulsation Dampener
- Pressure Gauge with Guard



# Model Number Matrix

\*Consult factory for pricing

## CHEM-FEED® Engineered Skid System - Municipal

<b>CFS-2</b>	Municipal Dual pump system - single chemical / single outlet
--------------	--

### Piping / Valves / Unions / Seal Materials

<b>A</b>	PVC piping, FKM seals, 1/2" ID PVC braided tubing connections	<b>E</b>	CPVC piping, FKM seals 1/2" ID PVC braided tubing connections
<b>B</b>	PVC piping, EPDM seals, 1/2" ID PVC braided tubing connections	<b>F</b>	CPVC piping, EPDM seals 1/2" ID PVC braided tubing connections
<b>C</b>	PVC piping, FKM seals, 1/4" ID polyethylene tubing connections	<b>G</b>	CPVC piping, FKM seals 1/4" ID Polyethylene tubing connections
<b>D</b>	PVC piping, EPDM seals, 1/4" ID Polyethylene tubing connections	<b>H</b>	CPVC piping, EPDM seals 1/4" ID Polyethylene tubing connections
<b>X</b>	Skid frame only without piping		

### Structure Assembly Materials

<b>A</b>	Chemical resistant powder coated aluminum stand with 316SS mounting pads
----------	--

### Chemical Feed Flow Meter

<b>A</b>	MS612 chemical feed flow meter with meter mount display, 10-5,000 ml/min (0.158 - 79.2 GPH)
<b>B</b>	MS622 chemical feed flow meter with meter mount display, 100-10,000 ml/min (1.58 - 158.5 GPH)
<b>X</b>	None

### Calibration Cylinder

		PVC		Glass	
<b>A</b>	64 GPH (2000 ml)	<b>A</b>			
<b>B</b>	32 GPH (1000 ml)	<b>B</b>		<b>P</b>	
<b>C</b>	16 GPH (500 ml)	<b>C</b>		<b>Q</b>	
<b>D</b>	8 GPH (250 ml)	<b>D</b>		<b>R</b>	
<b>E</b>	3 GPH (100 ml)	<b>E</b>		<b>S</b>	
<b>X</b>	None				

### Pulsation Dampener

<b>A</b>	10 cubic inch, CPVC body, PTFE diaphragm	<b>X</b>	NONE
----------	--	----------	------

### Pressure Gauge w/Guard

<b>A</b>	200 PSI gauge, PTFE diaphragm	<b>C</b>	30 PSI gauge, PTFE diaphragm
<b>B</b>	100 PSI gauge, PTFE diaphragm	<b>X</b>	None

### Miscellaneous Options (leave blank if not specified)

<b>A</b>	Isolation ball shut-off valves at check valves
<b>2</b>	Install two specific pump models on the skid and perform pressure and fluid testing
<b>R</b>	Outlet plumbing and calibration column position switch

<b>CFS-2</b>	<b>A</b>	<b>A</b>	<b>-</b>	<b>A</b>	<b>A</b>	<b>A</b>	<b>A</b>	<b>-</b>	<b>A</b>	<b>Sample Model Number</b>
--------------	----------	----------	----------	----------	----------	----------	----------	----------	----------	----------------------------

**NOTE:** All skid systems ship with the following in/out union connections: 1/2" PVC female NPT, 1/2" PVC slip glue. Pumps sold separately. When ordering pumps for skids, pump head orientation is standard LEFT facing for right pump, and Right facing for left pump.



# SKID SYSTEM WARRANTY

## LIMITED WARRANTY

Your Blue-White product is a quality product and is warranted for a specific time from date of purchase (proof of purchase is required). The product will be repaired or replaced at our discretion. Failure must have occurred due to defect in material or workmanship and not as a result of operation of the product other than in normal operation as defined in the product manual. Warranty status is determined by the product's serial label and the sales invoice or receipt. The serial label must be on the product and legible. The warranty status of the product will be verified by Blue-White or a factory authorized service center.

CHEM-FEED® skid systems are warranted for 2 years from date of purchase (proof of purchase is required). The system will be repaired or replaced at our discretion. The metering pump may have its own warranty and is not covered under this warranty.

## WHAT IS NOT COVERED

- Pump removal, or re-installation, and any related labor charge.
- Freight to the factory, or service center.
- Products that have been tampered with, or in pieces.
- Damage resulting from misuse, carelessness such as chemical spills on the enclosure, abuse, lack of maintenance, or alteration which is out of our control.
- Damage by faulty wiring, power surges or acts of nature.

BLUE-WHITE does not assume responsibility for any loss, damage, or expense directly or indirectly related to or arising out of the use of its products. Failure must have occurred due to defect in material or workmanship and not as a result of operation of the product other than in normal operation as defined in the pump manual.

Warranty status is determined by the pump's serial label and the sales invoice or receipt. The serial label must be on the pump and legible. The warranty status of the pump will be verified by Blue-White or a factory authorized service center.

## PROCEDURE FOR IN WARRANTY REPAIR

Warranty service must be performed by the factory or an authorized service center. Contact the factory or local repair center to obtain a RMA (Return Material Authorization) number. It is recommended to include foot strainer and injection/check valve fitting since these devices may be clogged and part of the problem. Decontaminate, dry, and carefully pack the product to be repaired. Please enclose a brief description of the problem and proof of purchase. Prepay all shipping and insurance cost. COD shipments will not be accepted. Damage caused by improper packaging is the responsibility of the sender. When In-Warranty repair is completed, the factory pays for return shipping to the dealer or customer.

## PRODUCT USE WARNING

Blue-White products are manufactured to meet the highest quality standards in the industry. Each product instruction manual includes a description of the associated product warranty and provides the user with important safety information. Purchasers, installers, and operators of Blue-White products should take the time to inform themselves about the safe operation of these products. In addition, Customers are expected to do their own due diligence regarding which products and materials are best suited for their intended applications. BLUE-WHITE is pleased to assist in this effort but does not guarantee the suitability of any particular product for any specific application as Blue-White does not have the same degree of familiarity with the application that the customer/end user has. While BLUE-WHITE will honor all of its product warranties according to their terms and conditions, Blue-White shall only be obligated to repair or replace its defective parts or products in accordance with the associated product warranties.

**BLUE-WHITE SHALL NOT BE LIABLE EITHER IN TORT OR IN CONTRACT FOR ANY LOSS OR DAMAGE WHETHER DIRECT, INDIRECT, INCIDENTAL, OR CONSEQUENTIAL, ARISING OUT OF OR RELATED TO THE FAILURE OF ANY OF ITS PARTS OR PRODUCTS OR OF THEIR NONSUITABILITY FOR A GIVEN PURPOSE OR APPLICATION.**

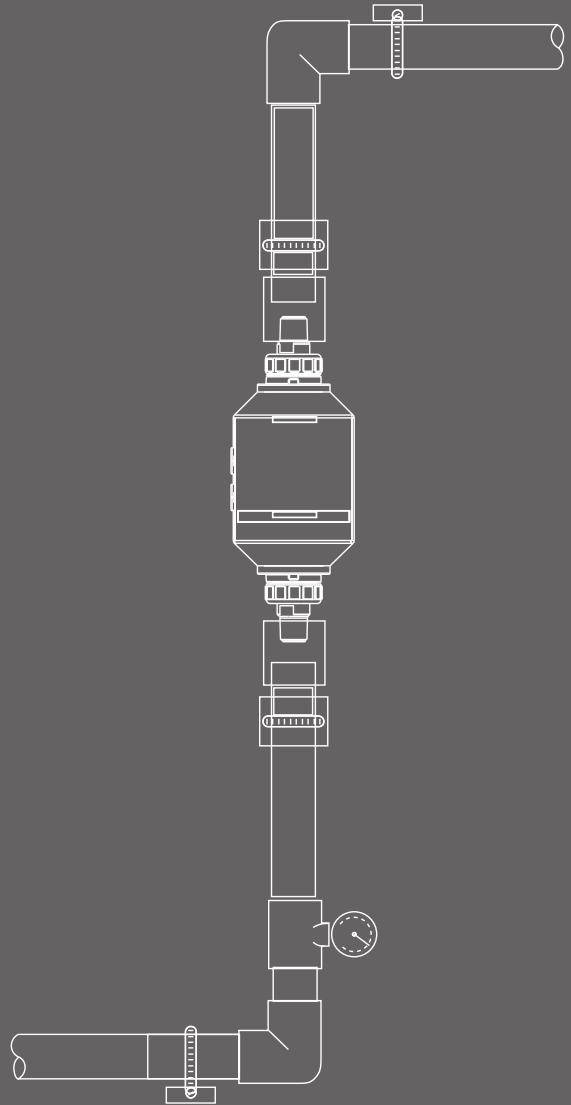
## CHEMICAL RESISTANCE WARNING

BLUE-WHITE offers a wide variety of wetted parts. Purchasers, installers, and operators of Blue-White products must be well informed and aware of the precautions to be taken when injecting or measuring various chemicals, especially those considered to be irritants, contaminants or hazardous. Customers are expected to do their own due diligence regarding which products and materials are best suited for their applications, particularly as it may relate to the potential effects of certain chemicals on Blue-White products and the potential for adverse chemical interactions. Blue-White tests its products with water only. The chemical resistance information included in this instruction manual was supplied to BLUE-WHITE by reputable sources, but Blue-White is not able to vouch for the accuracy or completeness thereof. While BLUE-WHITE will honor all of its product warranties according to their terms and conditions, Blue-White shall only be obligated to repair or replace its defective parts or products in accordance with the associated product warranties.

**BLUE-WHITE SHALL NOT BE LIABLE EITHER IN TORT OR IN CONTRACT FOR ANY LOSS OR DAMAGE, WHETHER DIRECT, INDIRECT, INCIDENTAL, OR CONSEQUENTIAL, ARISING OUT OF OR RELATED TO THE USE OF CHEMICALS IN CONNECTION WITH ANY BLUE-WHITE PRODUCTS.**

Users of electrical and electronic equipment (EEE) with the WEEE marking per Annex IV of the WEEE Directive must not dispose of end of life EEE as unsorted municipal waste, but use the collection framework available to them for the return, recycle, recovery of WEEE and minimize any potential effects of EEE on the environment and human health due to the presence of hazardous substances. The WEEE marking applies only to countries within the European Union (EU) and Norway. Appliances are labeled in accordance with European Directive 2002/96/EC. Contact your local waste recovery agency for a Designated Collection Facility in your area.

# MUNICIPAL Flow Meters



**Blue-White**<sup>®</sup>

# MS6

## SONIC-PRO® Flow Meter



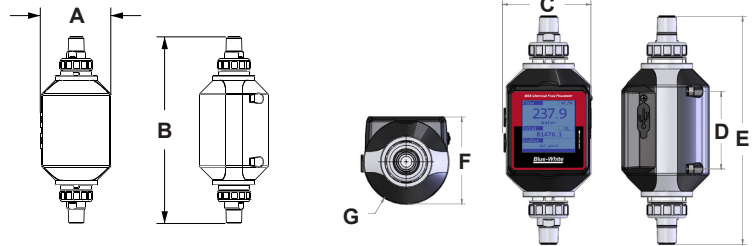
- > Inline pipe fittings for easy installation
- > Isolated 4-20 mA output - fully configurable
- > Process control via configurable solid state relay
- > User configurable flow rate and total set-point triggers
- > True unions for ease of maintenance

### Highlights

<p><b>Flow range</b> 10 - 10,000 mL/min .158 - 158.5 GPH</p>	<p><b>Pressures up to</b> 200 PSI (13.8 bar)</p>	<p><b>Body material</b> PVDF</p>	<p><b>Display</b> LCD</p>
<p><b>Pipe sizes</b> ½" Barb, ½" M/NPT, ½" PVC slip</p>	<p><b>Display options</b> Remote mount or meter mount</p>	<p><b>Weight</b> 1.9 lb. (0.86 kg)</p>	<p><b>Warranty</b> 5 Years</p>

### Dimensions

Dim	Inch	cm	Dim	Inch	cm
A	3.8"	9.7	E	10.02"	25.5
B	10.0"	25.4	F	3.8"	9.7
C	3.9"	9.9	G	3.7"	9.4
D	3.4"	8.6			



Meter Mount Display Meter Body

### What's in the box

- MS6 Chemical Feed meter
- Meter Body Connection Fittings
- 3/16" Hex Key
- USB Drive (Operating Manua and Blue-Central®)
- USB-A to USB-C connector
- Power Supply (user configurable)



# Model Number Matrix

MS6

## SONIC-PRO® Model Number

<b>MS6</b>	MS6 Chemical Feed Flow Meter				
<b>Flow Range</b>					
<b>1</b>	10-5000 mL/min (0.158-79.2 GPH)				
<b>2</b>	100-10000 mL/min (1.58 -158.5 GPH)				
<b>Display Options</b>					
<b>1</b>	Remote Mount Display				
<b>2</b>	Meter Mount Display				
<b>Elastometer Material (O-Ring)</b>					
<b>V</b>	TFE/P				
<b>E</b>	EP				
<b>MS6</b>	<b>1</b>	<b>1</b>	<b>V</b>	<b>X</b>	Sample Model Number

## Display Options



# FLOW METER WARRANTY

## LIMITED WARRANTY

Your Blue-White product is a quality product and is warranted for a specific time from date of purchase (proof of purchase is required). The product will be repaired or replaced at our discretion. Failure must have occurred due to defect in material or workmanship and not as a result of operation of the product other than in normal operation as defined in the product manual. Warranty status is determined by the product's serial label and the sales invoice or receipt. The serial label must be on the product and legible. The warranty status of the product will be verified by Blue-White or a factory authorized service center.

SONIC-PRO® MS6 is warranted for 5 years from date of purchase (proof of purchase is required). The flowmeter will be repaired or replaced at our discretion.

## WHAT IS NOT COVERED

- Freight to the factory, or service center.
- Products that have been tampered with, or in pieces.
- Damage resulting from misuse, carelessness such as chemical spills on the enclosure, abuse, lack of maintenance, or alteration which is out of our control.
- Damage by faulty wiring, power surges or acts of nature.

BLUE-WHITE does not assume responsibility for any loss, damage, or expense directly or indirectly related to or arising out of the use of its products. Failure must have occurred due to defect in material or workmanship and not as a result of operation of the product other than in normal operation as defined in the pump manual.

Warranty status is determined by the pump's serial label and the sales invoice or receipt. The serial label must be on the pump and legible. The warranty status of the pump will be verified by Blue-White or a factory authorized service center.

## PROCEDURE FOR IN WARRANTY REPAIR

Warranty service must be performed by the factory or an authorized service center. Contact the factory or local repair center to obtain a RMA (Return Material Authorization) number. It is recommended to include foot strainer and injection/check valve fitting since these devices may be clogged and part of the problem. Decontaminate, dry, and carefully pack the product to be repaired. Please enclose a brief description of the problem and proof of purchase. Prepay all shipping and insurance cost. COD shipments will not be accepted. Damage caused by improper packaging is the responsibility of the sender. When In-Warranty repair is completed, the factory pays for return shipping to the dealer or customer.

## PRODUCT USE WARNING

Blue-White products are manufactured to meet the highest quality standards in the industry. Each product instruction manual includes a description of the associated product warranty and provides the user with important safety information. Purchasers, installers, and operators of Blue-White products should take the time to inform themselves about the safe operation of these products. In addition, Customers are expected to do their own due diligence regarding which products and materials are best suited for their intended applications. BLUE-WHITE is pleased to assist in this effort but does not guarantee the suitability of any particular product for any specific application as Blue-White does not have the same degree of familiarity with the application that the customer/end user has. While BLUE-WHITE will honor all of its product warranties according to their terms and conditions, Blue-White shall only be obligated to repair or replace its defective parts or products in accordance with the associated product warranties.

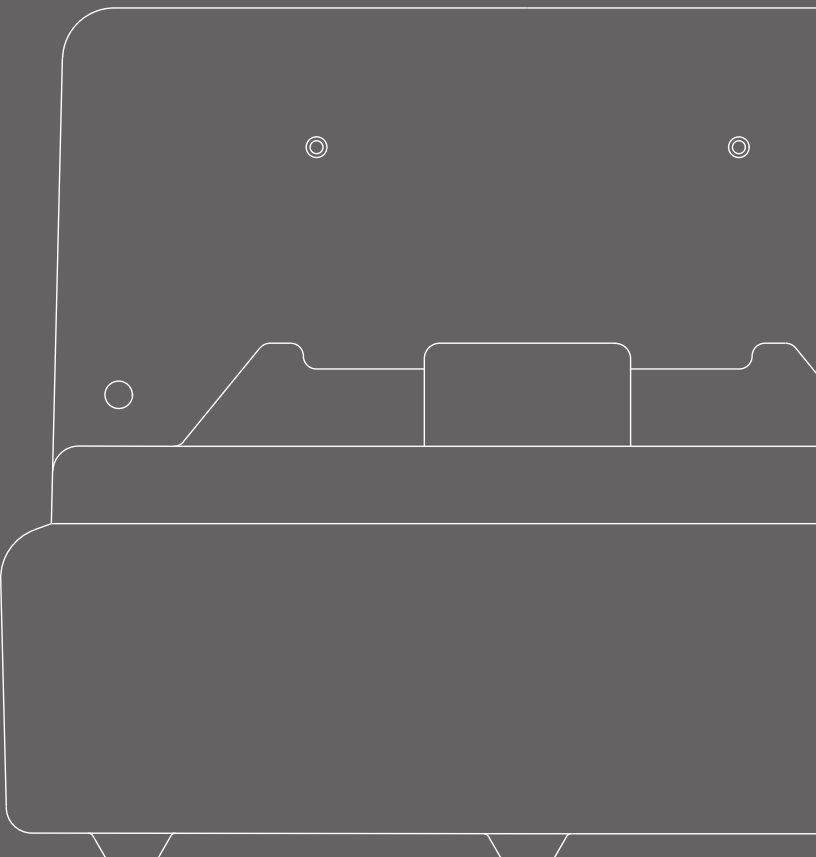
**BLUE-WHITE SHALL NOT BE LIABLE EITHER IN TORT OR IN CONTRACT FOR ANY LOSS OR DAMAGE WHETHER DIRECT, INDIRECT, INCIDENTAL, OR CONSEQUENTIAL, ARISING OUT OF OR RELATED TO THE FAILURE OF ANY OF ITS PARTS OR PRODUCTS OR OF THEIR NONSUITABILITY FOR A GIVEN PURPOSE OR APPLICATION.**

## CHEMICAL RESISTANCE WARNING

BLUE-WHITE offers a wide variety of wetted parts. Purchasers, installers, and operators of Blue-White products must be well informed and aware of the precautions to be taken when injecting or measuring various chemicals, especially those considered to be irritants, contaminants or hazardous. Customers are expected to do their own due diligence regarding which products and materials are best suited for their applications, particularly as it may relate to the potential effects of certain chemicals on Blue-White products and the potential for adverse chemical interactions. Blue-White tests its products with water only. The chemical resistance information included in this instruction manual was supplied to BLUE-WHITE by reputable sources, but Blue-White is not able to vouch for the accuracy or completeness thereof. While BLUE-WHITE will honor all of its product warranties according to their terms and conditions, Blue-White shall only be obligated to repair or replace its defective parts or products in accordance with the associated product warranties.

**BLUE-WHITE SHALL NOT BE LIABLE EITHER IN TORT OR IN CONTRACT FOR ANY LOSS OR DAMAGE, WHETHER DIRECT, INDIRECT, INCIDENTAL, OR CONSEQUENTIAL, ARISING OUT OF OR RELATED TO THE USE OF CHEMICALS IN CONNECTION WITH ANY BLUE-WHITE PRODUCTS.**

Users of electrical and electronic equipment (EEE) with the WEEE marking per Annex IV of the WEEE Directive must not dispose of end of life EEE as unsorted municipal waste, but use the collection framework available to them for the return, recycle, recovery of WEEE and minimize any potential effects of EEE on the environment and human health due to the presence of hazardous substances. The WEEE marking applies only to countries within the European Union (EU) and Norway. Appliances are labeled in accordance with European Directive 2002/96/EC. Contact your local waste recovery agency for a Designated Collection Facility in your area.



**MUNICIPAL**  
Tank Systems  
and Accessories

**Blue-White**<sup>®</sup>

# STAR III SYSTEM

## Metering Pump Tank System



- > Polyethylene tank with U.V. inhibitors for sunlight protection
- > The tank has extra heavy wall thickness for stability
- > All necessary accessories are included
- > Raised off the floor for easy wash down
- > Lid position: open, closed, or vented
- > For use with: M1, MD1, and A100N pumps.

### Highlights

#### Tank capacity

7 gallon,  
15 gallon, or  
30 gallon

#### Compatibility

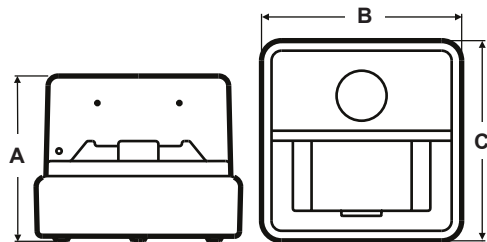
M1, MD1

#### Warranty

1 Year

### Dimensions

	7 Gallon Tank	15 Gallon Tank	30 Gallon Tank
PART	KIT-S07	KIT-S15	KIT-S30
A	12" (30cm)	17.25" (44cm)	27.50" (69cm)
B	18.5" (47cm)	20" (51cm)	20" (51cm)
C	18.5" (47cm)	20" (51cm)	20" (51cm)
SHIP WT	24 lb. (11kg)	32 lb. (15kg)	38 lb. (18kg)



### What's in the box

- One tank
- One lid (3-way position for open, closed or vented)
- One foot valve (71000-351)
- Mounting screws
- Pump mounting bracket

# CHEMICAL TANK

## Tank System

- > Polyethylene single wall tank
- > U.V. inhibitors for sunlight protection
- > The tank has extra heavy wall thickness for stability
- > Includes volume graduation marks



## Highlights

### Tank capacity

15 gallon,  
30 gallon, or  
50 gallon

### Complete

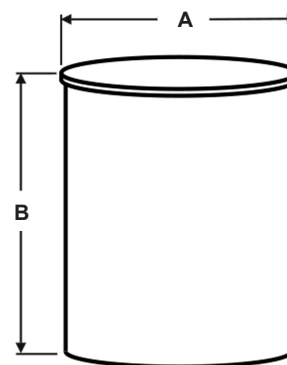
Tanks come with solid,  
one-piece lid

### Warranty

1 Year

## Dimensions

	ST-15	ST-30	ST-50
	15 Gallon Tank	30 Gallon Tank	50 Gallon Tank
<b>A</b>	14.13" (35.8 cm)	18.50" (46.9 cm)	22.50" (57.1 cm)
<b>B</b>	23.63" (60.0 cm)	28.38" (72.0 cm)	33.38" (84.7 cm)
<b>SHIP WT</b>	11 lb. (4.90 kg)	16 lb. (7.30 kg)	23 lb. (10.40 kg)



## What's in the box

1 Tank  
1 Lid



# PUMP ACCESSORIES

Cat. No.	Part. No.	Description	Price Ea.
<b>FOOT VALVES AND STRAINERS</b>			
C-340A	71000-447	Foot Valve for 1/4" ID, 3/8" OD tubing, Aflas, PVDF (No spring)	
C-340E	71000-325	Foot Valve for 1/4" ID, 3/8" OD tubing, EP, PVDF (No spring)	
C-342-6	90002-200	Strainer, for 1/4" ID tubing	
C-346	90008-096	Ceramic Weight (for 3/8" OD tubing)	
	71000-825	Suction Strainer, 1/2" Barb, PVDF body	
	71000-824	Suction Strainer, 1/2" MNPT, PVDF body	
	71010-261	Foot Valve, 1/4" ID x 3/8 OD tube, PVDF Body, FKM O-ring	
	71000-575	Foot Valve, 1/2" Barb, PVDF Body, FKM O-ring	
	71000-576	Foot Valve, 1/2" Barb, PVDF Body, EP O-ring	
	71000-849	Foot Valve, 1/2" MNPT, PVDF Body, FKM O-ring	
	71000-850	Foot Valve, 1/2" MNPT, PVDF Body, EP O-ring	
	71001-005	Foot Valve, 1/2" MNPT, PVDF Body, FKM O-ring (PTFE Ball)	
	71001-106	Foot Valve, 1/4" ID x 3/8 OD tube, PVDF Body, FKM O-ring	
	71001-107	Foot Valve, 1/4" ID x 3/8 OD tube, PVDF Body, EP O-ring	
<b>INJECTION VALVES for FLEXFLO®</b>			
A-014N-6A	71000-532	Injection Valve, for 3/8" OD Tubing, Aflas, PP body, 1/2 psi	
A-014N-6E	71000-534	Injection Valve, for 3/8" OD Tubing, EP, PP body. 1/2 psi	
A-014NK-6A	71000-551	Injection Valve, for 3/8" OD Tubing, Aflas, PVDF body, 1/2 psi	
A-014NK-6E	71000-553	Injection Valve, for 3/8" OD Tubing, EP, PVDF body, 1/2 psi	
A-014NK-6A-T	71010-786	Injection Valve, for 3/8" OD Tubing, Aflas, PVDF body, 1/2 psi (PTFE Ball)	
	71000-770	Injection Valve, 1/2" Barb Tubing, FKM, PVDF body, 2 psi	
	71000-377	Injection Valve, 1/2" Barb Tubing, EP, PVDF body, 2 psi	
	71000-767	Injection Valve, 1/2" MNPT, FKM, PVDF body, 2 psi	
	71000-386	Injection Valve, 1/2" MNPT, EP, PVDF body, 2 psi	
	71000-985	Injection Valve, 1/2" MNPT, FKM, PVDF body, 2 psi (PTFE Ball)	
<b>INJECTION VALVES for CHEM-FEED®</b>			
C-395N-6A	71000-536	Injection Valve, for 3/8" OD Tubing, Aflas, PP body, 6 psi	
C-395N-6E	71000-538	Injection Valve, for 3/8" OD Tubing, EP, PP body. 6 psi	
C-395NK-6A	71000-555	Injection Valve, for 3/8" OD Tubing, Aflas, PVDF body, 6 psi	
C-395NK-6E	71000-557	Injection Valve, for 3/8" OD Tubing, EP, PVDF body, 6 psi	
C-395NK-6A-PTFE	71010-318	Injection Valve, for 3/8" OD Tubing, Aflas, PVDF body, 6 psi (PTFE Ball)	
	71000-579	Injection Valve, 1/2" Barb Tubing, FKM, PVDF body, 6 psi	
	71000-580	Injection Valve, 1/2" Barb Tubing, EP, PVDF body, 6 psi	
	71000-577	Injection Valve, 1/2" MNPT, FKM, PVDF body, 6 psi	
	71000-578	Injection Valve, 1/2" MNPT, EP, PVDF body, 6 psi	
	71001-004	Injection Valve, 1/2" MNPT, FKM, PVDF body, 6 psi (PTFE Ball)	

Cat. No.	Part No.	Description	Price Ea.
<b>FLOW INDICATORS</b>			
FI-100-8SV	71000-786	Flow Indicator, Acrylic Body, Ceramic Ball. 1/2" PVC Slip, FKM O-ring	
FI-100-8SE	71000-829	Flow Indicator, Acrylic Body, Ceramic Ball. 1/2" PVC Slip, EP O-ring	
FI-100-8MV	71000-787	Flow Indicator, Acrylic Body, Ceramic Ball. 1/2" MNPT, FKM O-ring	
FI-100-8ME	71000-806	Flow Indicator, Acrylic Body, Ceramic Ball. 1/2" MNPT, EP O-ring	
<b>TUBING</b>			
C-334-6	90008-116	Tubing, Suction, clear PVC 3/8" OD x 5 ft length	
C-334-6-10	90008-097	Tubing, Suction, clear PVC 3/8" OD x 10 ft length	
C-334-6-25	76000-942	Tubing, Suction, clear PVC 3/8" OD x 25 ft length	
C-334-6-100	90008-119	Tubing, Suction, clear PVC 3/8" OD x 100 ft length	
	76001-361	Tubing, Suction, clear PVC, 1/2" ID x 3/4" OD, 8 ft length	
C-335-6	76000-168	Tubing, Discharge, polyethylene, 3/8" OD x 5 ft length	
C-335-6-10	76000-374	Tubing, Discharge, polyethylene, 3/8" OD x 10 ft length	
C-335-6-25	76000-977	Tubing, Discharge, polyethylene, 3/8" OD x 25 ft length	
C-335-6-100	90008-091	Tubing, Discharge, polyethylene, 3/8" OD x 100 ft length	
	90008-437	Tubing, Discharge, Clear Braided PVC, 1/2" ID x 3/4" OD.	
<b>COMPRESSION NUTS and CLAMPS</b>			
C-330-6	90002-305	PVDF Compression Nut, FNPT Threaded	
C-3330	90008-043	Hose Clamp, 316 SS, Screw Tightened	
<b>QUICK DISCONNECT KITS</b>			
KIT-CQA		Quick Disconnect Kit for MD1 Pump, PVDF, Aflas	
KIT-CQE		Quick Disconnect Kit for MD1 Pump, PVDF, EP	
KIT-QSV		Quick Disconnect Kit for M2, M3, M4 Pumps, 1/4" x 3/8" fitting "S", PVDF, Viton	
KIT-QSE		Quick Disconnect Kit for M2, M3, M4 Pumps, 1/4" x 3/8" fitting "S", PVDF, EP	
KIT-QSA		Quick Disconnect Kit for M2, M3, M4 Pumps, 1/4" x 3/8" fitting "S", PVDF, Aflas	
KIT-QBV		Quick Disconnect Kit for M2, M3, M4 Pumps, 1/2" Hose Barb fitting "B", PVDF, Viton	
KIT-QBE		Quick Disconnect Kit for M2, M3, M4 Pumps, 1/2" Hose Barb fitting "B", PVDF, EP	
KIT-QBA		Quick Disconnect Kit for M2, M3, M4 Pumps, 1/2" Hose Barb fitting "B", PVDF, Aflas	
KIT-QMV		Quick Disconnect Kit for M2, M3, M4 Pumps, 1/2" MNPT fitting "M", PVDF, Viton	
KIT-QME		Quick Disconnect Kit for M2, M3, M4 Pumps, 1/2" MNPT fitting "M", PVDF, EP	
KIT-QMA		Quick Disconnect Kit for M2, M3, M4 Pumps, 1/2" MNPT fitting "M", PVDF, Aflas	
<b>PUMP SHELF</b>			
KIT-PSM		Wall Mount Bracket, HDPE	

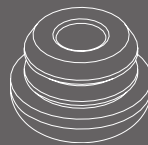
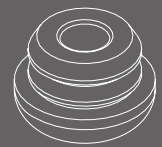
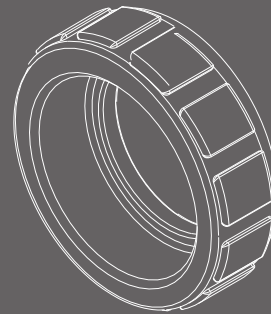
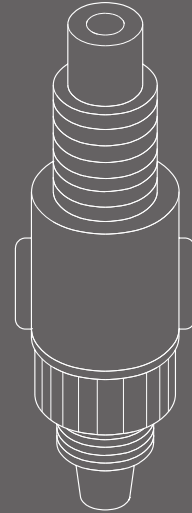
Cat No.	Part No.	Description	Price Ea.
<b>POWER CORDS</b>			
	90010-663	Power Cord, 6 ft Detachable, 115V / 60Hz, power cord NEMA 5/15 plug (US)	
	90010-664	Power Cord, 6 ft Detachable, 220V / 50HZ, power cord CEE 7/VII plug (EU)	
	90010-665	Power Cord, 6 ft Detachable, 230V / 50HZ, power cord BS 1363/A plug (UK)	
	90010-666	Power Cord, 6 ft Detachable, 240V / 50HZ, power cord AS 3112 plug (AU/New Zealand)	
	90010-696	Power Cord, 6 ft Detachable, 230V / 60Hz, power cord NEMA 6/15 plug (US)	
<b>M12 CABLES</b>			
KIT-M12		M12 Cable Assy, 10 ft, Qty 2	
KIT-M12-2-5		M12 Cable Assy, 5 ft, Qty 2	
KIT-M12-2-15		M12 Cable Assy, 15 ft, Qty 2	
KIT-M12-2-30		M12 Cable Assy, 30 ft, Qty 2	
KIT-M12-3		M12 Cable Assy, 10 ft, Qty 3	
KIT-M12-3-5		M12 Cable Assy, 5 ft, Qty 3	
KIT-M12-3-15		M12 Cable Assy, 15 ft, Qty 3	
KIT-M12-3-30		M12 Cable Assy, 30 ft, Qty 3	
KIT-M12-6		M12 Cable Assy, 10 ft, Qty 6	
KIT-M12-6-5		M12 Cable Assy, 5 ft, Qty 6	
KIT-M12-6-15		M12 Cable Assy, 15 ft, Qty 6	
KIT-M12-6-30		M12 Cable Assy, 30 ft, Qty 6	
<b>OTHER CABLES</b>			
KIT-DP3		Profibus Cable, M12, 3 ft	
CABLE-UAC		USB A-C Cable	

This page intentionally left blank.

This page intentionally left blank.

# MUNICIPAL

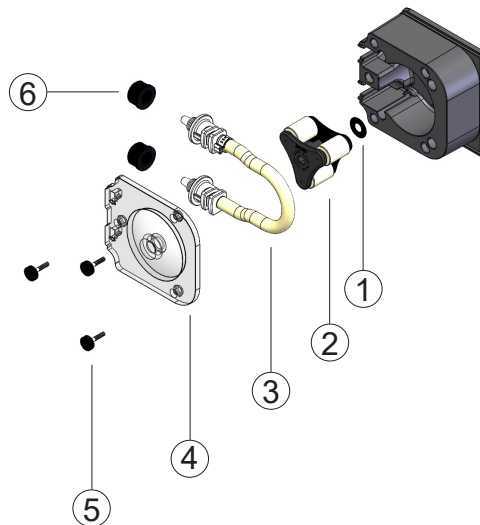
## Replacement Parts



## M1 Replacement Parts

Pump Head Components	Part No.	QTY Req'd
<b>1</b> Spacer, back	90011-014	1
<b>2</b> Complete Roller Assembly*		1
A1-1T / A1-2T / A1-3T / A1-7T	71000-350	
A1-4T / A1-6T	71000-159	
A1-5T / A1-8T	71000-255	
<b>3</b> Tubing ( <b>Reference Tubing Matrix</b> )		1
<b>4</b> Pump Head Cover	90002-185	1
<b>5</b> Thumb screw with 9/64" key drive	90011-160	3
<b>6</b> Tube nut, compression, for 3/8" tubing**	C-330-6	2

\*Rollers are specific to tube being used. See next page for complete tube part numbers



\*Pump Head not for sale. For more information please contact a local sales representative.

## FLEXFLO® Model Number

**A1** Tubing

### Pump Tube Size and Material

<b>1</b>	Flex-A-Thane® 1/4" OD
<b>2</b>	Flex-A-Thane® 3/8" OD
<b>3</b>	Flex-A-Thane® 7/16" OD
<b>4</b>	Flex-A-Prene® 1/4" OD
<b>5</b>	FKM 5/16" OD
<b>6</b>	Flex-A-Prene® 3/8" OD
<b>7</b>	Flex-A-Prene® 7/16" OD
<b>8</b>	Flex-A-Chem® 7/16" OD

### Inlet/Outlet Connection Size, Connection Type

<b>T</b>	3/8" OD x 1/4" Tube Compression Fitting, Natural PVDF (Kynar)
<b>M</b>	1/2" Male NPT Fitting, Natural PVDF (Kynar)
<b>MB</b>	1/2" Male BSPT Fitting, Natural PVDF (Kynar)

**A1 - 1 T** Tube Sample Model Number

## Output Specifications

Tube Material / Size	Feed Rate			Max Pressure	Max Temperature
	GPH	LPH	mL/Min	PSI (bar)	°F (°C)
<b>Flex-A-Thane® Tube</b>					
1	Up to 1.09	Up to 4.13	Up to 68.8	65 (4.50)	130 (54)
2	Up to 2.27	Up to 8.63	Up to 143.8	65 (4.50)	130 (54)
3	Up to 5.60	Up to 21.2	Up to 353.3	50 (3.45)	130 (54)
<b>Flex-A-Prene® Tube</b>					
4	Up to .44	Up to 1.68	Up to 28.0	100 (6.89)	185 (85)
6	Up to 1.35	Up to 5.14	Up to 85.2	100 (6.89)	185 (85)
7	Up to 4.17	Up to 15.8	Up to 263.1	50 (3.45)	185 (85)
<b>Flex-A-Chem® Tube</b>					
8	Up to 3.09	Up to 11.7	Up to 195.0	50 (3.45)	130 (54)



## M2 Replacement Parts

Pump Head Components		Part No.	QTY Req'd
<b>1</b>	Spacer	90011-217	1
<b>2</b>	Complete Roller Assembly		1
	ND	A2-SND-R	
	NEE / NGG	A2-SNGG-R	
	TH	A2-STH-R	
	GE / GG / G2G / GH	A2-SGE-R	
<b>3</b>	Tubing ( <b>Reference Tubing Matrix</b> )		1
<b>4</b>	Pump Head Cover	A2-SXX-C	1
<b>5</b>	Thumb Screws	90011-183	4
<b>6</b>	Tube Nut, Compression 3/8" Tubing*	C-330-6	2

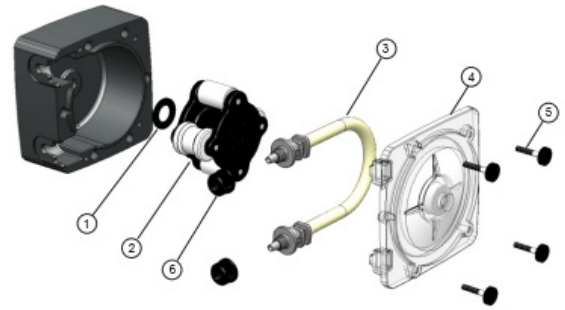
\*Tube nuts for 'S' type tubing only

Quick Disconnect Fittings*		Part No.	QTY Req'd
<b>7</b>	Quick Disconnect		1
	.50" Barb FKM	KIT-QBV	
	.50" Barb EP	KIT-QBE	
	.50" Barb Aflas	KIT-QBA	
	.50" M/NPT FKM	KIT-QMV	
	.50" M/NPT EP	KIT-QME	
	.50" M/NPT Aflas	KIT-QMA	
	3/8" OD, 1/4" ID Tube Compression, FKM	KIT-QSV	
	3/8" OD, 1/4" ID Tube Compression, EP	KIT-QSE	
	3/8" OD, 1/4" ID Tube Compression, Aflas	KIT-SQA	

\*Only available for Q tubes

Miscellaneous Parts*		Part No.	QTY Req'd
<b>A</b>	Stainless Steel Mounting Bracket	72000-379	1
<b>B</b>	Stainless Steel Mounting Bracket (Extended)	72000-380	1
<b>C</b>	Rubber Feet	90003-561	4
<b>D</b>	Tube Installation Tool	90002-278	1

\*Sold Separately



\*Pump Head not for sale. For more information please contact a local sales representative.



**7**



**A**



**B**



**C**



**D**

## FLEXFLO® Model Number

<b>A2</b>	Tubing					
<b>Inlet/Outlet Connection Size, Connection Type, Connection Material</b>						
<b>S</b>	3/8" OD x 1/4" ID Tube Compression Fitting, Natural PVDF (Kynar)					
<b>M</b>	1/2" Male NPT Fitting, Natural PVDF (Kynar)					
<b>B</b>	1/2" Hose Barb, Natural PVDF (Kynar), available for ND, NEE, NGG, and G2G only					
<b>C</b>	1/2" - 3/4" Tri-clamp connections, Natural PVDF (Kynar), available for ND, NEE, NGG, and G2G only					
<b>Q</b>	Quick Disconnect, Natural PVDF (Kynar), available for ND, NEE, NGG, and G2G only (valves sold seperately)					
<b>MB</b>	1/2" Male BSPT Fitting, Natural PVDF (Kynar)					
<b>Pump Tube Material, Pump Tube Size</b>						
<b>GE</b>	Flex-A-Thane® .125 ID	<b>ND</b>	Flex-A-Prene® .075 ID			
<b>GG</b>	Flex-A-Thane® .187 ID	<b>NEE</b>	Flex-A-Prene® .093 ID			
<b>G2G</b>	Flex-A-Thane® .187 ID (dual tube)	<b>NGG</b>	Flex-A-Prene® .187 ID			
<b>GH</b>	Flex-A-Thane® .312 ID	<b>TH</b>	Flex-A-Chem® .250 ID			
<b>A2</b>	-	<b>S</b>	<b>GE</b>	-	<b>T</b>	<b>Tube Sample Model Number</b>

## Output Specifications

Tube Material / Size	Feed Rate			Max Pressure	Max Temperature
	GPH	LPH	mL/Min	PSI (bar)	°F (°C)
<b>Flex-A-Thane® Tube</b>					
GE	Up to 4.0	Up to 15.2	Up to 253	65 (4.50)	130 (54)
GG	Up to 9.3	Up to 35.2	Up to 587	65 (4.50)	130 (54)
G2G	Up to 14.98	Up to 56.7	Up to 945	65 (4.50)	130 (54)
GH	Up to 21.23	Up to 80.4	Up to 1340	65 (4.50)	130 (54)
<b>Flex-A-Prene® Tube</b>					
ND	Up to 1.7	Up to 6.5	Up to 108	125 (8.60)	185 (85)
NEE	Up to 4.4	Up to 16.8	Up to 280	110 (7.60)	185 (85)
NGG	Up to 17.2	Up to 65	Up to 1085	110 (7.60)	185 (85)
<b>Flex-A-Chem® Tube</b>					
TH	Up to 14.3	Up to 54	Up to 900	50 (3.45)	130 (54)

## M3 Replacement Parts

Pump Head Components		Part No.	QTY Req'd
<b>1</b>	Spacer	90011-217	1
<b>2</b>	Complete Roller Assembly		1
	GE / GG / G2G / GH / GK	A3-SGE-R	
	ND	A3-SND-R	
	TH / NKL	A3-STH-R	
	NGG / NK / NHL / NEE / TK	A3-SNGG-R	
<b>3</b>	Tubing ( <b>Reference Tubing Matrix</b> )		1
<b>4</b>	Pump Head Cover	A3-SXX-C	1
<b>5</b>	Thumb Screws	90011-183	4
<b>6</b>	Tube Nut, Compression, For 3/8" Tubing*	C-330-6	2

\*Tube nuts for 'S' type tubing only

Quick Disconnect Fittings*		Part No.	QTY Req'd
<b>7</b>	Quick Disconnect Fittings		1
	.50" M/NPT FKM	KIT-QMV	
	.50" M/NPT EP	KIT-QME	
	.50" M/NPT Aflas	KIT-QMA	
	.50" Barb FKM	KIT-QBV	
	.50" Barb EP	KIT-QBE	
	.50" Barb Aflas	KIT-QBA	
	3/8" OD, 1/4" ID Tube Compression, FKM	KIT-QSV	
	3/8" OD, 1/4" ID Tube Compression, EP	KIT-QSE	
	3/8" OD, 1/4" ID Tube Compression, Aflas	KIT-QSA	

\*Only available for Q tubes

Miscellaneous Parts*		Part No.	QTY Req'd
<b>A</b>	Stainless Steel Mounting Bracket	72000-379	1
<b>B</b>	Stainless Steel Mounting Bracket (Extended)	72000-380	1
<b>C</b>	Rubber Feet	90003-561	4
<b>D</b>	Tube Installation Tool	90002-278	1

\*Sold Separately



**A**



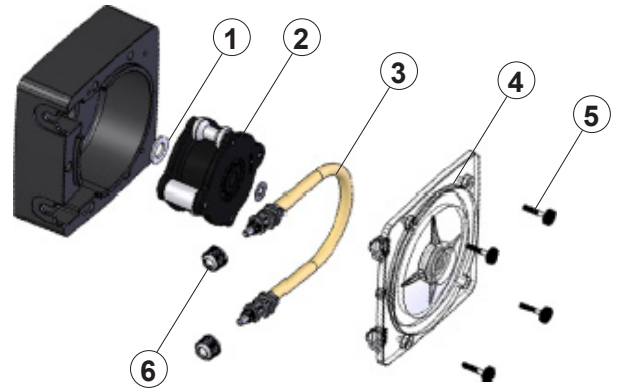
**B**



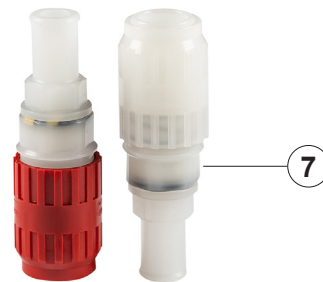
**C**



**D**



\* Pump Head not for sale.  
For more information please contact a local sales representative.



**7**

## FLEXFLO® Model Number

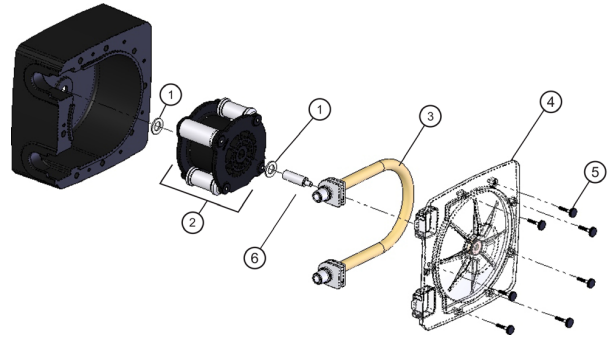
<b>A3</b>	Tubing					
<b>Inlet/Outlet Connection Size, Connection Type, Connection Material</b>						
<b>S</b>	3/8" OD x 1/4" ID Tube Compression Fitting, Natural PVDF (Kynar)					
<b>M</b>	1/2" Male NPT Fitting, Natural PVDF (Kynar)					
<b>B</b>	1/2" Hose Barb, Natural PVDF (Kynar), available for ND, NEE, NGG, NKL and G2G only					
<b>C</b>	1/2" - 3/4" Tri-clamp connections, Natural PVDF (Kynar), available for ND, NEE, NGG, NKL and G2G only					
<b>Q</b>	Quick Disconnect, Natural PVDF (Kynar), available for ND, NEE, NGG, NKL, and G2G only (valves sold separately)					
<b>MB</b>	1/2" Male BSPT Fitting, Natural PVDF (Kynar)					
<b>Pump Tube Material, Pump Tube Size, Output Range</b>						
<b>ND</b>	Flex-A-Prene® .075 ID	<b>NKL</b>	Flex-A-Prene® .375 ID	<b>G2G</b>	Flex-A-Thane® .187 ID (dual tube)	
<b>NEE</b>	Flex-A-Prene® .093 ID	<b>GE</b>	Flex-A-Thane® .125 ID	<b>TH</b>	Flex-A-Chem® .250 ID	
<b>NGG</b>	Flex-A-Prene® .187 ID	<b>GG</b>	Flex-A-Thane® .187 ID	<b>TK</b>	Flex-A-Chem® .375 ID	
<b>NHL</b>	Flex-A-Prene® .250 ID	<b>GH</b>	Flex-A-Thane® .312 ID			
<b>NK</b>	Flex-A-Prene® .375 ID	<b>GK</b>	Flex-A-Thane® .375 ID			
<b>A3</b>	-	<b>S</b>	<b>ND</b>	-	<b>T</b>	Sample Model Number

## Output Specifications

Tube Material / Size	Feed Rate			Max Speed	Max Pressure	Max Temperature
	GPH	LPH	mL/Min	RPM	PSI (bar)	°F (°C)
<b>Flex-A-Thane® Tube</b>						
GE	Up to 4.60	Up to 17.4	Up to 290	125	65 (4.5)	130 (54)
GG	Up to 10.1	Up to 38.4	Up to 637	125	65 (4.5)	130 (54)
G2G	Up to 18.23	Up to 69.0	Up to 637	125	65 (4.5)	130 (54)
GH	Up to 24.9	Up to 94.2	Up to 1150	125	65 (4.5)	130 (54)
GK	Up to 28.5	Up to 108	Up to 1800	125	65 (4.5)	130 (54)
<b>Flex-A-Prene® Tube</b>						
ND	Up to 2.10	Up to 7.92	Up to 132	125	125 (8.6)	185 (85)
NHL	Up to 17.4	Up to 65.8	Up to 1097	125	65 (4.5)	185 (85)
NK	Up to 33.3	Up to 126	Up to 2100	125	125 (8.6)	185 (85)
NKL	Up to 33.3	Up to 126	Up to 2100	125	30 (2.1)	185 (85)
NEE	Up to 4.76	Up to 18.0	Up to 300	125	110 (7.6)	185 (85)
NGG	Up to 19.0	Up to 72.0	Up to 1200	125	110 (7.6)	185 (85)
<b>Flex-A-Chem® Tube</b>						
TH	Up to 15.1	Up to 57.0	Up to 950	125	50 (3.4)	130 (54)
TK	Up to 28.5	Up to 108	Up to 1800	125	50 (3.4)	130 (54)

## M4 Replacement Parts

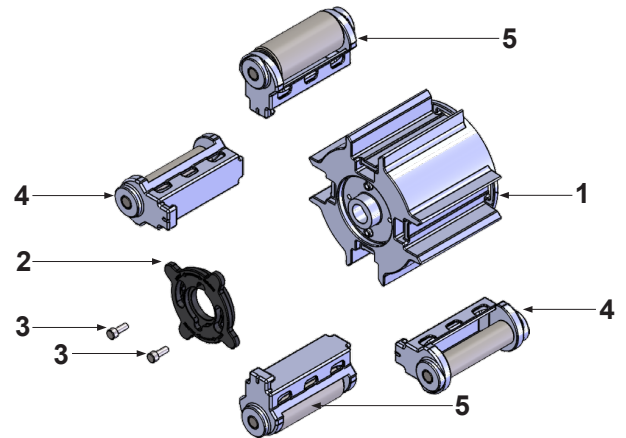
<b>1</b>	Spacer	90011-217	2
<b>2</b>	Complete Roller Assembly		1
	NL / NP	A4-MNL-R	
	TH / TK / TTK / THH	A4-MTH-R	
	NH / NK / NHH / NHL / NHHL	A4-MNH-R	
	NKL / NKKL	A4-MNKL-R	
	GH / GK / GKK	A4-MGH-R	
<b>3</b>	Tubing (Reference Tubing Matrix)		1
<b>4</b>	Pump Head Cover	A4-SXX-C	1
<b>5</b>	Thumb Screws	90011-183	8
<b>6</b>	Shaft Extension	90007-128	1



\*Pump Head not for sale. For more information please contact a local sales representative.

### Roller Assembly Parts

	Part No.	QTY Req'd	
<b>1</b>	A4 ROTOR BODY	76010-042	1
<b>2</b>	SPIDER RING	76002-038	1
<b>3</b>	10-32 CAPTIVE SCREW	90011-267	2
	A4 ROTOR ASSY (1,2, and 3)	71010-799	1
<b>4</b>	ARM ROLLER GUIDE ASSY	71010-771	2
<b>5</b>	ARM ROLLER		
	NL / NP	71010-766	2
	TH / TK / TKL / THH	71010-767	2
	NH / NK / NHH / NHL / NHHL	71010-768	2
	NKL / NKKL	71010-769	2
	GH / GHH / GK / GKK	71010-770	2



### Quick Disconnect Fittings\*

	Part No.	QTY Req'd
<b>6</b>	Quick Disconnect Fittings	1
	.50" M/NPT FKM	KIT-QMV
	.50" M/NPT EP	KIT-QME
	.50" M/NPT Aflas	KIT-QMA
	.50" Barb FKM	KIT-QBV
	.50" Barb EP	KIT-QBE
	.50" Barb Aflas	KIT-QBA



**6**

\*For use only with "Q" style tubes

### Miscellaneous Parts\*

	Part No.	QTY Req'd	
<b>A</b>	Stainless Steel Mounting Bracket	72000-379	1
<b>B</b>	Stainless Steel Mounting Bracket (Extended)	72000-380	1
<b>C</b>	Rubber Feet	90003-561	1
<b>D</b>	Tube Installation Tool	90002-278	1

\*Sold Separately



**A**



**B**



**C**



**D**

## FLEXFLO® Model Number

<b>A4</b>	Tubing					
<b>Inlet/Outlet Connection Size, Connection Type, Connection Material</b>						
<b>M</b>	1/2" Male NPT Fitting, Natural PVDF (Kynar)					
<b>B</b>	1/2" ID Tubing Barb Fitting, Natural PVDF (Kynar)					
<b>Q</b>	Quick Disconnect, Natural PVDF (Kynar). NP flow rate reduced 16.5% with Quick Disconnect connections (Valves sold separately)					
<b>C</b>	1/2" - 3/4" Tri-clamp connections, Natural PVDF (Kynar)					
<b>MB</b>	1/2" Male BSPT Fitting, Natural PVDF (Kynar)					
<b>Pump Tube Material, Pump Tube Size</b>						
<b>GH</b>	Flex-A-Thane® .312 ID	<b>NHHL</b>	Flex-A-Prene® .250 ID (Dual Tube)			
<b>GHH</b>	Flex-A-Thane® .312 ID (Dual Tube)	<b>NK</b>	Flex-A-Prene® .375 ID			
<b>GK</b>	Flex-A-Thane® .375 ID	<b>NL</b>	Flex-A-Prene® .500 ID			
<b>GKK</b>	Flex-A-Thane® .375 ID (Dual Tube)	<b>NP</b>	Flex-A-Prene® .750 ID			
<b>NH</b>	Flex-A-Prene® .250 ID	<b>TH</b>	Flex-A-Chem® .250 ID			
<b>NHL</b>	Flex-A-Prene® .250 ID	<b>TK</b>	Flex-A-Chem® .375 ID			
<b>NHH</b>	Flex-A-Prene® .250 ID (Dual Tube)	<b>TKK</b>	Flex-A-Chem® .375 ID (Dual Tube)			
<b>A4</b>	-	<b>M</b>	<b>NH</b>	-	<b>T</b>	<b>Tube Sample Model Number</b>

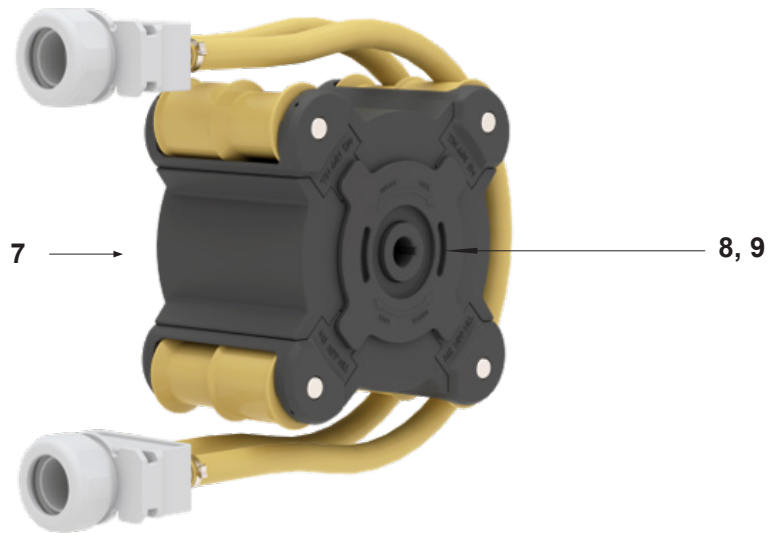
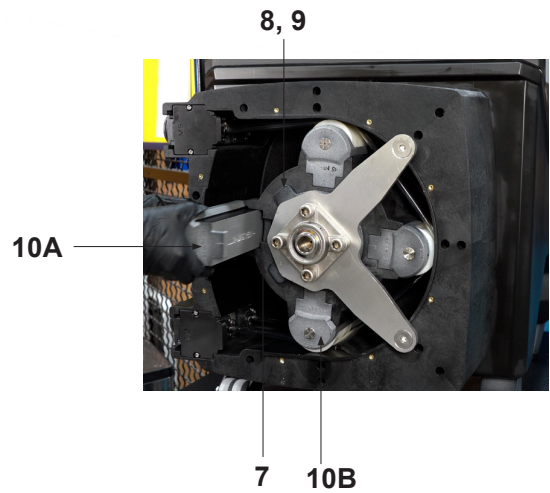
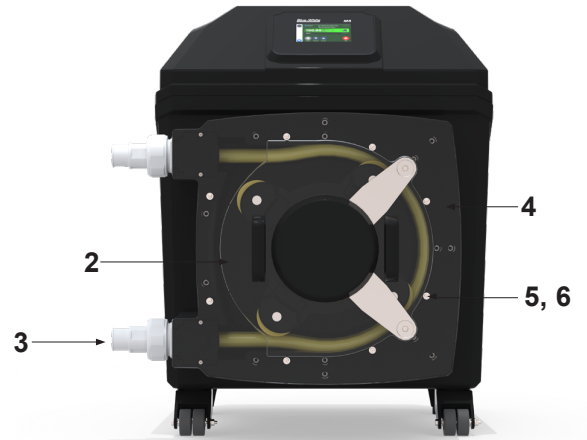
## Output Specifications

Tube Material / Size	Feed Rate			Max Speed	Max Pressure	Max Temperature
	GPH	LPH	mL/Min	RPM	PSI (bar)	°F (°C)
<b>Flex-A-Thane® Tube</b>						
GH	Up to 39.6	Up to 150	Up to 2500	125	65 (4.5)	130 (54)
GHH	Up to 71.0	Up to 268	Up to 4479	125	65 (4.5)	130 (54)
GK	Up to 55.5	Up to 210	Up to 3500	125	65 (4.5)	130 (54)
GKK	Up to 100	Up to 378	Up to 6300	125	65 (4.5)	130 (54)
<b>Flex-A-Prene® Tube</b>						
NH	Up to 28.5	Up to 108	Up to 1800	125	125 (8.6)	185 (85)
NHL	Up to 28.5	Up to 108	Up to 1800	125	65 (4.5)	185 (85)
NHH	Up to 54.0	Up to 204	Up to 3400	125	100 (6.9)	185 (85)
NHHL	Up to 54.0	Up to 204	Up to 3400	125	65 (4.5)	185 (85)
NK	Up to 50.7	Up to 192	Up to 3200	125	80 (5.5)	185 (85)
NL	Up to 100	Up to 378	Up to 6300	125	50 (3.4)	185 (85)
NP	Up to 158.5	Up to 600	Up to 10000	125	30 (2.1)	185 (85)
<b>Flex-A-Chem® Tube</b>						
TH	Up to 25.4	Up to 96	Up to 1603	125	30 (2.1)	130 (54)
TK	Up to 54.0	Up to 204	Up to 3400	125	30 (2.1)	130 (54)
TKK	Up to 126	Up to 477	Up to 8000	125	30 (2.1)	130 (54)

## M5 Replacement Parts

Pump Head Components		
	Part No.	QTY Req'd
<b>2</b>	Complete Roller Assembly	1
	NPP	A5-MNPP-R
	NLL	A5-MNLL-R
	NHHL	A5-MNHHL-R
	GKK	A5-MGKK-R
<b>3</b>	Tubing (Reference Tubing Matrix)	1
<b>4</b>	Pump Head Cover	A5-SXX-C
<b>5</b>	Screws	90011-149
<b>6</b>	Washer	90011-094

Roller Assembly Parts		
	Part No.	QTY Req'd
<b>7</b>	A5 ROTOR BODY	76010-061
<b>8</b>	SPIDER RING	76002-077
<b>9</b>	SPIDER SCREW	90011-267
<b>10</b>	ARM ROLLER	
	NPP Side A	71010-853
	NPP Side B	71010-854
	NLL Side A	71010-859
	NLL Side B	71010-860
	NHHL Side A	71010-855
	NHHL Side B	71010-856
	GKK Side A	71010-857
	GKK Side B	71010-858



**Roller and Tube Detail**

## FLEXFLO® Model Number

<b>A5</b>	Tubing						
<b>Inlet/Outlet Connection Size, Connection Type, Connection Material</b>							
<b>M</b>	1/2" Male NPT Fitting, Natural PVDF (Kynar)						
<b>B</b>	1/2" ID Tubing Barb Fitting, Natural PVDF (Kynar)						
<b>Pump Tube Material, Pump Tube Size</b>							
<b>NPP</b>	Flex-A-Prene® .750 ID (Dual Tube)						
<b>NLL</b>	Flex-A-Prene® .500 ID (Dual Tube)						
<b>NHHL</b>	Flex-A-Prene® .250 ID (Dual Tube)						
<b>GKK</b>	Flex-A-Thane® .375 ID (Dual Tube)						
<b>O-Ring Options</b>							
<b>V</b>	Viton						
<b>E</b>	EPDM						
<b>A5</b>	-	<b>M</b>	<b>NPP</b>	-	<b>T</b>	<b>V</b>	<b>Tube Sample Model Number</b>

### Tube Replacement Kits

A5-XNPP-TV	2 NPP Tubes, Clamps, Barbs, Viton O-Rings
A5-XNPP-TE	2 NPP Tubes, Clamps, Barbs, EP O-Rings
A5-XNLL-TV	2 NLL Tubes, Clamps, Barbs, Viton O-Rings
A5-XNLL-TE	2 NLL Tubes, Clamps, Barbs, EP O-Rings
A5-XNHHL-TV	2 NHHL Tubes, Clamps, Barbs, Viton O-Rings
A5-XNHHL-TE	2 NHHL Tubes, Clamps, Barbs, EP O-Rings
A5-XGKK-TV	2 GKK Tubes, Clamps, Barbs, Viton O-Rings
A5-XGKK-TE	2 GKK Tubes, Clamps, Barbs, EP O-Rings

### Tube Fittings and Union Nut

76010-064	1.5" M/NPT Fitting (2 req.)
76010-065	1.5" Barb Fitting (2 req.)
76010-066	5 Series Union Nut

## Output Specifications

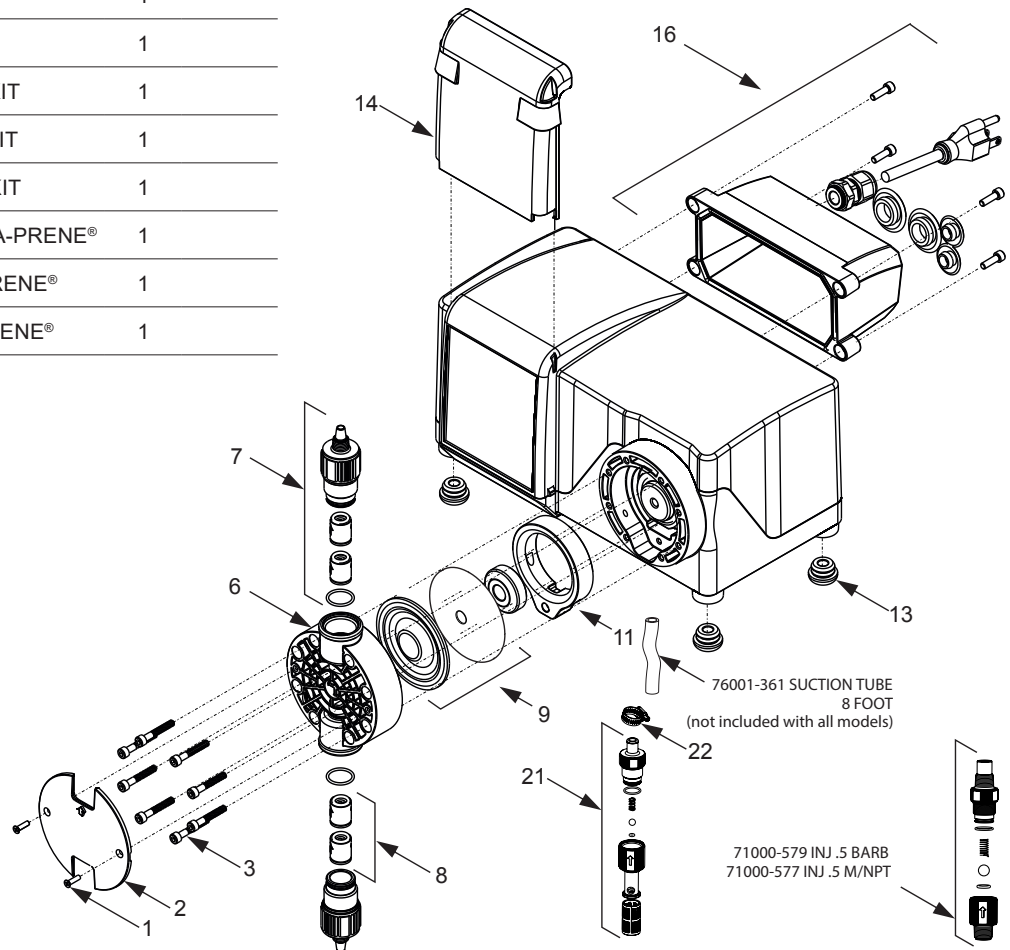
Tube Material / Size	Feed Rate			Max Speed	Max Pressure	Max Temperature
	GPH	LPH	mL/Min	RPM	PSI (bar)	°F (°C)
<b>Flex-A-Prene® Tube</b>						
NPP	Up to 534	Up to 2021	Up to 33960	75	30 (2.1)	185 (85)
NLL	Up to 286	Up to 1083	Up to 18056	75	50 (3.4)	185 (85)
NHHL	Up to 75.6	Up to 286	Up to 4769	75	65 (4.5)	185 (85)
<b>Flex-A-Thane® Tube</b>						
GKK	Up to 154	Up to 583	Up to 9728	75	50 (3.4)	130 (54)



## MC2 Replacement Parts

Item	Part No.	Product Name	Qty. Req.	Price Ea.
<b>1</b>	90011-081	SCREW 6-32 X .5	2	
<b>2</b>	70004-109	COVER P/H MC2	1	
<b>3</b>	90011-181	SCREW 10 X 32 X 1.25	8	
<b>4</b>	90011-094	WASHER #10 P/H SS	8	
<b>6</b>	90002-273	P/HEAD SM C2 PVDF	1	
	90002-272	P/HEAD LG C2 PVDF	1	
<b>7</b>	70001-349	VALVE .5 M/NPT VIT 2	2	
	70001-350	VALVE .5 M/NPT EP	2	
	70001-351	VALVE .5 F/NPT VIT	2	
	70001-352	VALVE .5 F/NPT EP	2	
	70001-347	VALVE .5 T-BARB VIT	2	
	70001-348	VALVE .5 T-BARB EP	2	
	70001-372	VALVE .375 TUBE VIT	2	
	70001-373	VALVE .375 TUBE EP	2	
<b>8</b>	20000-194	KIT 4 EA. VALVE VIT	1	
	20000-195	KIT 4 EA. VALVE EP	1	
<b>9</b>	72000-551	MICRO DIAPHRAGM KIT	1	
	72000-296	SMALL DIAPHRAGM KIT	1	
	72000-297	LARGE DIAPHRAGM KIT	1	
	72000-606	MICRO DIA KIT FLEX-A-PRENE®	1	
	72000-607	SM DIA KIT FLEX-A-PRENE®	1	
	72000-605	LG DIA KIT FLEX-A-PRENE®	1	

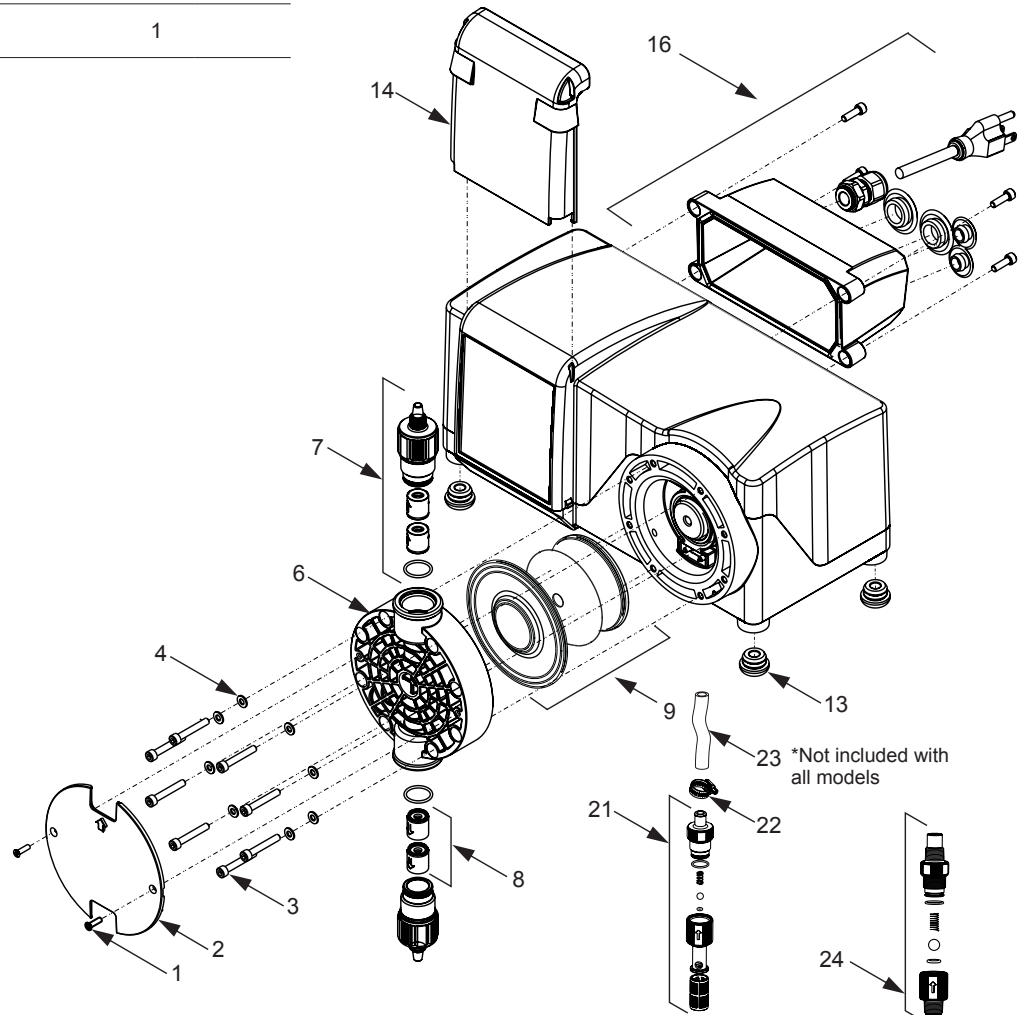
Item	Part No.	Product Name	Qty. Req.	Price Ea.
<b>11</b>	90001-173	P/HEAD LG. SPACER	1	
	90001-172	P/HEAD SM. SPACER	1	
<b>13</b>	90003-561	BUMPER FEET	4	
<b>14</b>	90002-326	UV LCD CVR PLYCRB	1	
<b>16</b>	71000-984	J-BOX KIT W/ 115V	1	
	71000-031	J-BOX KIT W/ 230V	1	
	71000-032	J-BOX KIT W/ 220V	1	
<b>21</b>	See Accessory Page for Foot Valve Options			
<b>22</b>	90008-043	CLAMP SS .5"	1	
<b>N/A</b>	72000-378	BRUSH KIT MC2/MC3 90VDC MOTOR	1	



## MC3 Replacement Parts

Item	Part No.	Product Name	Qty. Req.	Price Ea.
<b>1</b>	90011-081	SCREW 6-32 X .5	2	
<b>2</b>	70004-110	COVER P/H MC3	1	
<b>3</b>	90011-181	SCREW 10X32 X 1.25	8	
<b>4</b>	90011-094	WASHER #10 P/H SS	8	
<b>6</b>	90002-258	P/HEAD LG C3 PVDF	1	
<b>7</b>	70001-349	VALVE .5 M/NPT VIT	2	
	70001-350	VALVE .5 M/NPT EP	2	
	70001-351	VALVE .5 F/NPT VIT	2	
	70001-352	VALVE .5 F/NPT EP	2	
	70001-347	VALVE .5 T-BARB VIT	2	
	70001-348	VALVE .5 T-BARB EP	2	
<b>8</b>	20000-194	KIT 4 EA. VALVE VIT	1	
	20000-195	KIT 4 EA. VALVE EP	1	
<b>9</b>	72000-295	DIAPHRAGM KIT C3	1	
	72000-604	DIAPHRAGM KIT FLEX-A-PRENE®	1	

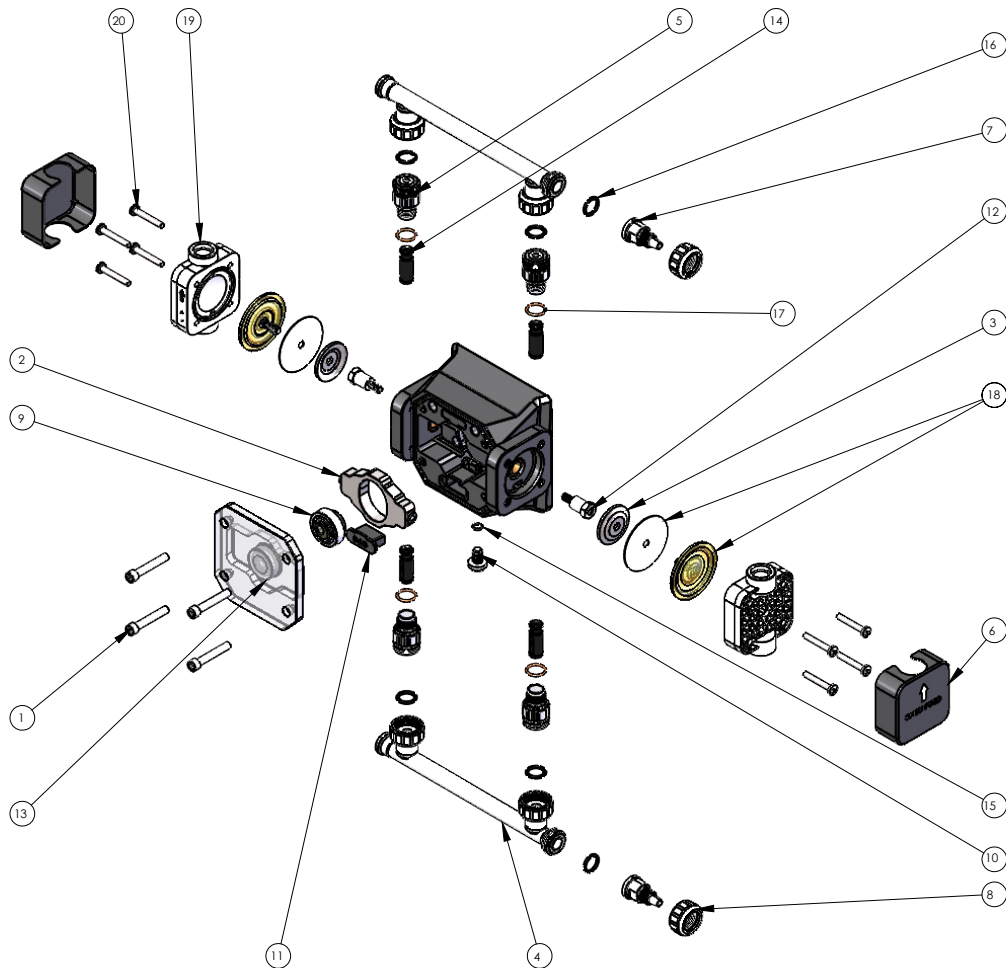
Item	Part No.	Product Name	Qty. Req.	Price Ea.
<b>13</b>	90003-561	BUMPER FEET	4	
<b>14</b>	90002-326	UV LCD CVR PLYCRB	1	
<b>16</b>	71000-984	J-BOX KIT W/ 115V	1	
	71010-031	J-BOX KIT W/ 230V	1	
	71010-032	J-BOX KIT W/ 220V	1	
<b>21</b>	See Accessory Page for Foot Valve Options			
<b>22</b>	90008-043	CLAMP SS .5"	1	
<b>23</b>	76001-361	TUBE SUCTION .5 D, 8' L	1	
<b>24</b>	See Accessory Page For Injector Options			
<b>N/A</b>	72000-378	Brush Kit MC2/MC3 90VDC Motor	1	



## MD1 Replacement Parts

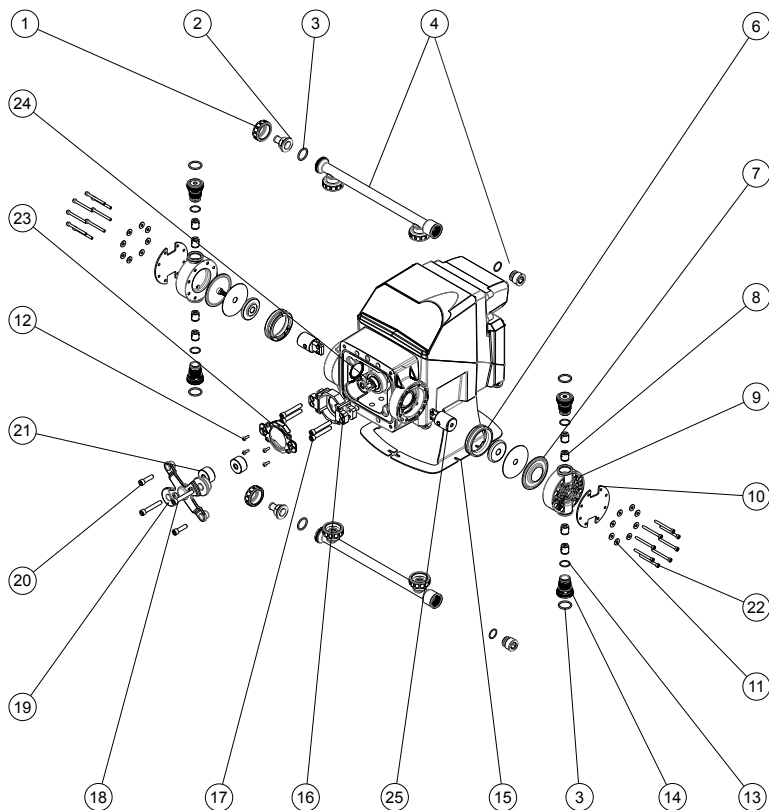
Item	Part No.	Product Name	Qty. Req.	Price Ea.
1	90011-246	Screw 1/4-20 X 1.50 SOC Cap SS	4	
2	76001-945	Hyper-Drive Machined	1	
3	90006-600	Back-Up Washer HD .100" Thick	2	
4	71010-730	Manifold Nut Union and Flange Spin Weld	2	
5	90002-707	Adapter Cart	4	
6	70004-539	P/Head Cover CHEM-FEED®	2	
7	90002-708	.37T Adapter	2	
	90002-732	1/2" MNPT Adapter	2	
	90002-713	1/2" Hose Barb Adapter	2	
8	90002-712	Nut Union	2	
9	70000-131	Cam C-1500 S/A .125" Complete	1	
10	90011-261	Screw 5/16-18 X .50"L Phil Nylon Blk CD1	1	
11	76002-034	Cap DFD	1	
12	76001-966	Standoff Hex Male-Female Threaded Mach.	2	

Item	Part No.	Product Name	Qty. Req.	Price Ea.
13	71010-745	Cover Pumphead Mount Assy	1	
14	71000-392	Cart Bullet Double Aflas PVDF	4	
	71000-207	Cart Bullet Double EP PVDF	4	
15	90003-598	O-Ring 010 EP	1	
	90003-004	O-Ring 010 Viton	1	
16	90003-581	O-Ring 2-112 Aflas	6	
	90003-633	O-Ring 2-112 EP	6	
17	90003-014	O-Ring 015 Aflas	4	
	90003-600	O-Ring 015 EP	4	
18	KIT-CDV	Diaphragm PVDF	2	
	KIT-CDE	Diaphragm Flex-A-Prene®	2	
19	70004-096	Pump/HD HDN LG PVDF V Stamp	2	
	70004-097	Pump/HD HDN LG PVDF E Stamp	2	
20	90011-141	Screw 10-32 X 1.25 Pan Phil SS	8	
N/S	C-330-6	Tube Nut, 1/4" x 3/8"	2	



## MD3 Replacement Parts

Item	Part No.	Product Name	Qty. Req.	Price Ea.	Item	Part No.	Product Name	Qty. Req.	Price Ea.
<b>1</b>	91001-301	NUT UNION MD-3 MOLDED PVDF	6		<b>11</b>	90011-094	WASHER #10	16	
<b>2</b>	91001-295	.50" BARB ADAPTER	2		<b>12</b>	90011-063	SCREW 8-32 X .37 RD PH SS	4	
	91001-296	.50" BARB ADAPTER ELBOW	2		<b>13</b>	90003-141	O-RING 2-018 (TFE/P)	4	
	91001-288	.50" M/NPT ADAPTER ELBOW	2			90003-610	O-RING 2-018 (EP)	4	
	91001-287	.50" M/NPT ADAPTER	2		<b>14</b>	90002-353	ADAPTER CART MD-3	4	
<b>3</b>	90003-577	O-RING 2-119 (AFLAS 75)	6		<b>15</b>	90008-651	MOUNTING BRACKET	2	
	90003-153	O-RING 2-119 (EP)	6		<b>16</b>	90007-675	HYPER-DRIVE YOKE	1	
<b>4</b>	70001-504	MANIFOLD WITH FLANGE AND UNION NUT, PLUG WITH O-RING (TFE/P)	2		<b>17</b>	90011-229	SCREW 5/16 X 3/4 SHOULDER HD SS	6	
	70001-505	MANIFOLD WITH FLANGE AND UNION NUT, PLUG WITH O-RING (EP)	2		<b>18</b>	90011-221	SCREW 5/16-18 X 1.25L SOC HD SS	2	
<b>6</b>	90002-350	DRIVE HEAD INSERT	2		<b>19</b>	76001-824	DRIVE FRONT LOAD SUPPORT ASSY	1	
<b>7</b>	72000-583	KIT DIAPHRAGM DIAFLEX® MD-3	2		<b>20</b>	90011-222	SCREW 5/16-18 X 2.00L SOC HD SS	2	
	72000-601	KIT DIAPHRAGM FLEX-A-PRENE® MD3	2		<b>21</b>	76001-373	FRONT LOAD SUPPORT SPACER	2	
<b>8</b>	70001-500	CARTRIDGE VALVE KIT (TFE/P)	4		<b>22</b>	90011-063	SCREW 8-32 X .37 RD PH SS	16	
	70001-501	CARTRIDGE VALVE KIT (EP)	4		<b>23</b>	90002-368	HYPER DRIVE CAM COVER	1	
<b>9</b>	90002-272	PUMP HEAD	2		<b>24</b>	71010-369	CAM DRIVE ASSEMBLY	1	
<b>10</b>	70004-115	PUMP HEAD FACE PLATE	2		<b>25</b>	71010-372	PISTON ASSEMBLY	2	



## MS6 Replacement Parts

### MS6 Power Supply Kit 72000-594

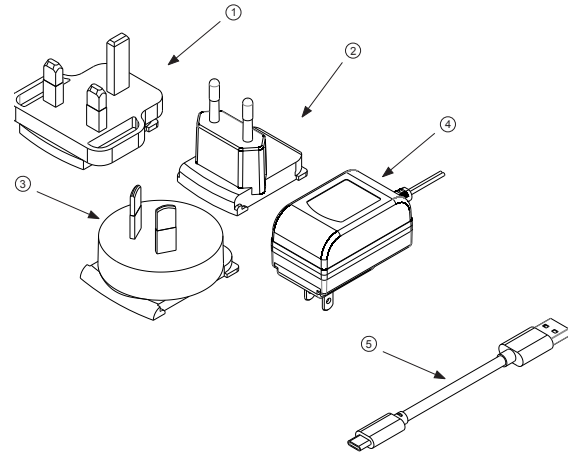
<b>1</b>	90008-479	U.K. Blade Power Supply	1	-
<b>2</b>	90008-513	Europe Blade Power Supply	1	-
<b>3</b>	90008-724	Australian Blade Power Supply	1	-
<b>4</b>	90008-743	Power Supply 120AC/5VDC 2000MA	1	-
<b>5</b>	90010-597	USB A-C Cable	1	

### MS6 Fittings Kit 72000-588\*

<b>1</b>	76001-855	Adapter S6A PVC	2
<b>2</b>	90003-565	Cable Gland	2
<b>3</b>	90003-577	O-Ring 2-119 AFLAS	2
	90003-153	O-Ring 2-119 EP	2
<b>4</b>	91001-296	Adapter Elbow, .50 MNPT	2
<b>5</b>	91001-295	.50" Barb Adapter	2
<b>6</b>	91001-288	Adapter Elbow SM .50 M/NPT	2
<b>7</b>	91001-287	Adapter, SM.50 M/NPT	2
<b>8</b>	91001-301	Nut Union Molded PVDF	2

\*For EP 72000-647

### MS6 Power Supply Kit



### MS6 Fittings Kit

