


# INDUSTRIAL CATALOG

2023

Rev 2 07/16/2023



**Blue-White**<sup>®</sup>

 +1 (714) 893 - 8529

 [sales@blue-white.com](mailto:sales@blue-white.com)

 [customerservice@blue-white.com](mailto:customerservice@blue-white.com)

 5300 Business Drive  
Huntington Beach, CA 92649

# Table of Contents

---

## **POLICY 4**

---

### **PERISTALTIC PUMPS 5**

---

A1	6
A2	8
A3	10
A4	12
A5	14
A-100N	16
A-100N (Polymer)	18
Peristaltic Pump Warranty	20

---

### **DIAPHRAGM PUMPS 21**

---

CD1	22
CD3	24
C2	26
C3	28
C-600P	30
C-600HV	32
C-1500N	34
Diaphragm Pump Warranty	36

---

### **SKID SYSTEMS 37**

---

<b>Plastic</b>	
CFPS-1	38
CFPS-2	40
CFPS-3	42
<b>Wall</b>	
CFWS-1	44
CFWS-2	46
<b>Metal</b>	
CFS-1	48
CFS-2	50
Skid System Warranty	52

---

## **FLOW METERS 53**

---

### **Ultrasonic Flow Meters**

---

S6A	54
-----	----

---

### **Paddlewheel Flow Meters**

---

Micro-Flo	56
F-1000	58
F-2000	60

---

### **Variable Area Flow Meters**

---

F-300	62
F-400	64
F-410	66
F-420	68
F-430	70
F-550	72
F-440	74
F-450	76
F-451	78
F-452	80
F-460	82
F-461	84
F-462	86
Flow Meter Warranty	88

---

## **TANKS AND ACCESSORIES 89**

---

STAR III TANK	90
CHEMICAL TANK	91
ACCESSORIES	94

---

## **CO<sub>2</sub> FEED SYSTEM 99**

---

## **REPLACEMENT PARTS 103**

---

# POLICY

## DEALERS

Please contact the factory for the stocking outlet nearest you.

## MINIMUM ORDER

The minimum acceptable order is \$150.00. There are no exceptions.

## TERMS

Terms are NET 30 DAYS on approved credit. We do not ship orders to accounts with past-due balances. If you have not established open account terms with Blue-White, you may prepay your order or pay with a credit card. All major credit cards are accepted.

## PAYMENT POLICY

Net amount of invoice is due in full according to terms. A service charge of 1.5% will be added to outstanding balances beyond the term limit.

Any account over 45 days will be subject to credit hold.

## FREIGHT

For all allowable items, our normal means of shipment is via United Parcel Service. Should you wish an alternate means of shipment, you must advise the factory at the time you place your order. All shipments ship Ex Works. Buyer assumes all responsibilities for transit and delivery.

## RETURNED GOODS

Any merchandise being returned to the factory, regardless of the reason for the return, must have a Returned Merchandise Authorization number. Contact our in-house sales staff for an RMA number. The factory does not accept C.O.D. shipments.

All returns are subject to a restock charge.

Blue-White does not permit the return of products because of overstock, discontinued products, etc. Under no circumstance will the factory consider the return of products over six months old from date of original factory shipment.

## ORDER ADD-ON

Please be certain your order is complete when placed. Since orders are immediately entered into the computer as received, we may not be able to "add-on" later. Your understanding of this situation, and your cooperation are most appreciated. Any changes to a current order may result in extended lead times.

Possession of this price schedule does not guarantee the right to purchase directly from the factory. F.O.B. Huntington Beach, CA

See instruction manual at [www.blue-white.com](http://www.blue-white.com) for detailed installation and operating requirements.

## PROCEDURE FOR IN WARRANTY REPAIR

Warranty service must be performed by the factory or an authorized service center. Contact the factory or local repair center to obtain a RMA (Return Material Authorization) number. It is recommended to include foot strainer and injection/check valve fitting since these devices may be clogged and part of the problem. Decontaminate, dry, and carefully pack the product to be repaired. Please enclose a brief description of the problem and proof of purchase. Prepay all shipping and insurance cost. COD shipments will not be accepted. Damage caused by improper packaging is the responsibility of the sender. When In-Warranty repair is completed, the factory pays for return shipping to the dealer or customer.

## PRODUCT USE WARNING

Blue-White products are manufactured to meet the highest quality standards in the industry. Each product instruction manual includes a description of the associated product warranty and provides the user with important safety information. Purchasers, installers, and operators of Blue-White products should take the time to inform themselves about the safe operation of these products. In addition, Customers are expected to do their own due diligence regarding which products and materials are best suited for their intended applications. BLUE-WHITE is pleased to assist in this effort but does not guarantee the suitability of any particular product for any specific application as Blue-White does not have the same degree of familiarity with the application that the customer/end user has. While BLUE-WHITE will honor all of its product warranties according to their terms and conditions, Blue-White shall only be obligated to repair or replace its defective parts or products in accordance with the associated product warranties.

**BLUE-WHITE SHALL NOT BE LIABLE EITHER IN TORT OR IN CONTRACT FOR ANY LOSS OR DAMAGE WHETHER DIRECT, INDIRECT, INCIDENTAL, OR CONSEQUENTIAL, ARISING OUT OF OR RELATED TO THE FAILURE OF ANY OF ITS PARTS OR PRODUCTS OR OF THEIR UNSUITABILITY FOR A GIVEN PURPOSE OR APPLICATION.**

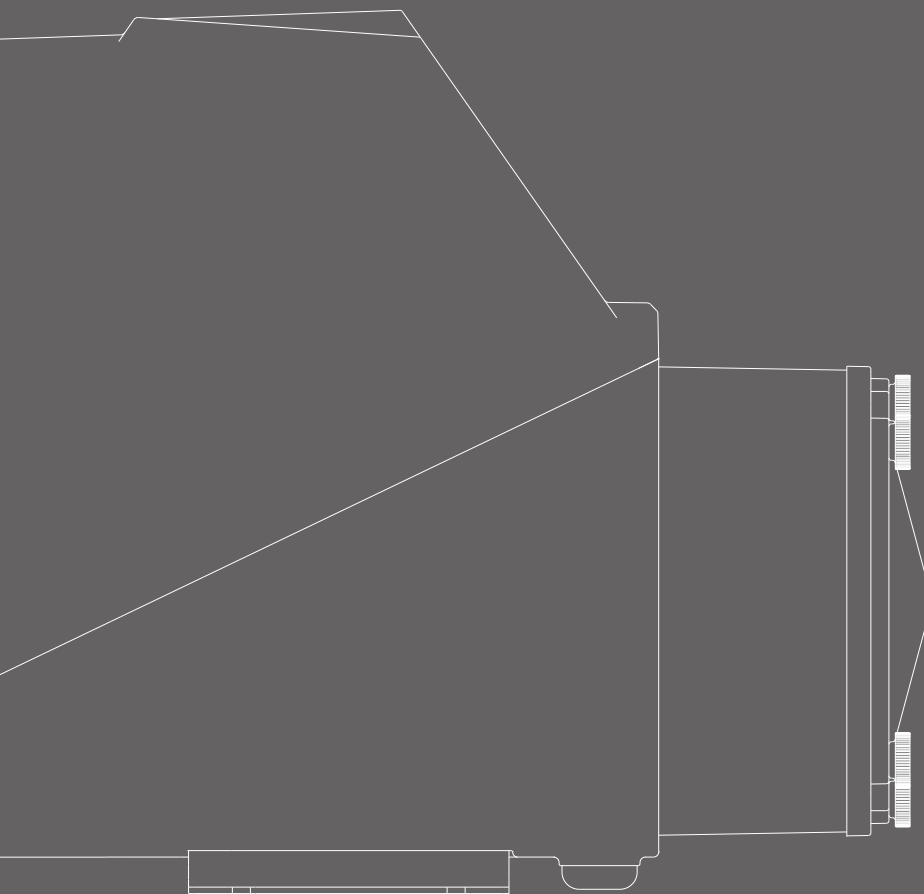
## CHEMICAL RESISTANCE WARNING

BLUE-WHITE offers a wide variety of wetted parts. Purchasers, installers, and operators of Blue-White products must be well informed and aware of the precautions to be taken when injecting or measuring various chemicals, especially those considered to be irritants, contaminants or hazardous. Customers are expected to do their own due diligence regarding which products and materials are best suited for their applications, particularly as it may relate to the potential effects of certain chemicals on Blue-White products and the potential for adverse chemical interactions. Blue-White tests its products with water only. The chemical resistance information included in this instruction manual was supplied to BLUE-WHITE by reputable sources, but Blue-White is not able to vouch for the accuracy or completeness thereof. While BLUE-WHITE will honor all of its product warranties according to their terms and conditions, Blue-White shall only be obligated to repair or replace its defective parts or products in accordance with the associated product warranties.

**BLUE-WHITE SHALL NOT BE LIABLE EITHER IN TORT OR IN CONTRACT FOR ANY LOSS OR DAMAGE, WHETHER DIRECT, INDIRECT, INCIDENTAL, OR CONSEQUENTIAL, ARISING OUT OF OR RELATED TO THE USE OF CHEMICALS IN CONNECTION WITH ANY BLUE-WHITE PRODUCTS.**

Users of electrical and electronic equipment (EEE) with the WEEE marking per Annex IV of the WEEE Directive must not dispose of end of life EEE as unsorted municipal waste, but use the collection framework available to them for the return, recycle, recovery of WEEE and minimize any potential effects of EEE on the environment and human health due to the presence of hazardous substances. The WEEE marking applies only to countries within the European Union (EU) and Norway. Appliances are labeled in accordance with European Directive 2002/96/EC. Contact your local waste recovery agency for a Designated Collection Facility in your area.

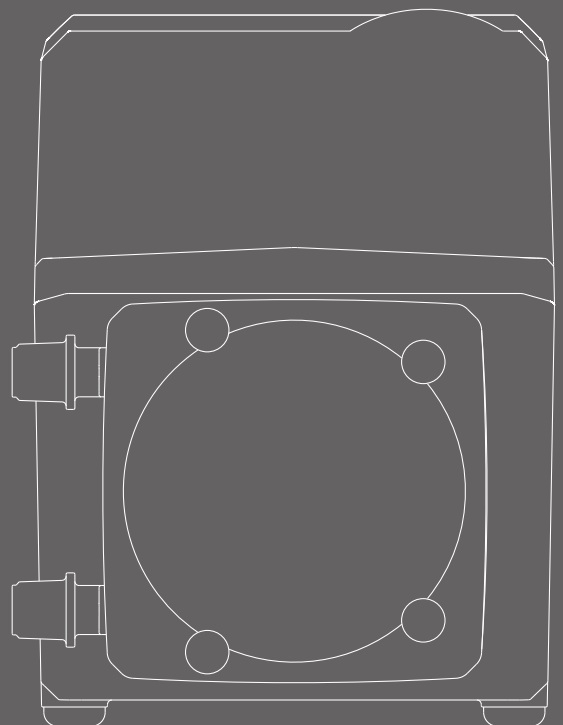




# INDUSTRIAL

Peristaltic  
Metering Pumps

**Blue-White**<sup>®</sup>



# A1

## FLEXFLO® Peristaltic Metering Pump



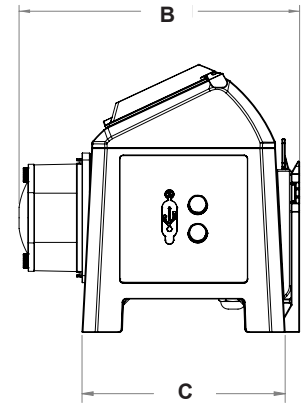
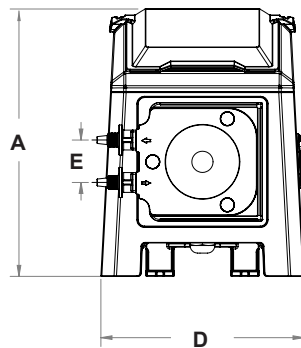
- > Tube Failure Detection senses tube rupture, no false triggering
- > Heavy duty display shield protects pump controls
- > Remote Start/Stop, which is one non-powered dry contact closure
- > Relay outputs include a single 250V/3A and a single solid-state
- > Manual Speed Adjust
- > SCADA I/O: 4-20 mA input, 4-20 mA output

### Highlights

<b>Flow range</b>	<b>Pressures up to</b>	<b>Turndown ratio</b>	<b>Suction lift</b>
.001 - 5.60 GPH .011 - 21.2 LPH	100 PSI (6.89 bar)	2,000 : 1	30 ft. Water at sea level (14.7 atm psi)
<b>Exclusive</b>	<b>Motor</b>	<b>Weight</b>	<b>Warranty</b>
Tube Failure Detection (TFD+)	Brushless DC	6 lb. (2.7 Kg)	2 Years

### Dimensions

Dim	Inch	cm	Dim	Inch	cm
A	9.46"	24.02	D	7.18"	18.23
B	9.92"	25.19	E	1.5"	3.81
C	7.18"	18.23			



### What's in the box

A1 Peristaltic Metering Pump  
Two tube assemblies (one installed, one spare)

With "T" Compression Tube Fittings:  
Suction tube – clear PVC  
5' length (3/8" OD, 1/4" ID)  
Suction strainer (C-342-6)  
Suction ceramic weight  
Discharge tube – opaque polyethylene  
5' length (3/8" OD, 1/4" ID)  
Discharge injection fitting with 1/2 psi check (A-014NK-6A)

With "M": MNPT Tube Fittings:  
Suction foot strainer (71000-824)  
Discharge injection fitting with 1/2 psi check (71000-767)

Mounting hardware kit  
Display shield  
Tube nuts (x2)  
Tube installation tool  
Instruction manual

**M12 Cables not included.**


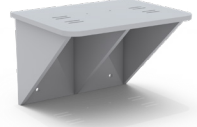







# Model Number Matrix

## FLEXFLO® Model Number

<b>A1</b>	FLEXFLO® Peristaltic Metering Pump				
<b>Series</b>					
<b>F</b>	Standard Control Methods (Manual, Remote On/Off)				
<b>V</b>	4-20mA Input, 4-20mA Output, In Addition to Standard Control Methods (Manual, Remote)				
<b>Power Cord (Operating voltage requirement 96VAC to 264VAC)</b>					
<b>4</b>	115V 50/60Hz, NEMA 5/15 plug (US)	<b>6</b>	220V 50/60Hz, CEE 7/V11 plug (EU)	<b>X</b>	No Power Cord
<b>Pump Tube Size and Material</b>					
<b>1</b>	1/4" OD Flex-A-Thane®   0.001 – 1.09 GPH   .035 - 69 mL/Min   65 PSI (4.5 bar)				
<b>3</b>	7/16" OD Flex-A-Thane®   0.003 – 5.60 GPH   .176 - 353 mL/Min   50 PSI (3.45 bar)				
<b>4</b>	1/4" OD Flex-A-Prene®   0.001 - 0.44 GPH   .014 - 28 mL/Min   100 PSI (6.89 bar)				
<b>6</b>	3/8" OD Flex-A-Prene®   0.001 – 1.35 GPH   .043 - 85 mL/Min   100 PSI (6.89 bar)				
<b>7</b>	7/16" OD Flex-A-Prene®   0.002 – 4.17 GPH   .132 - 263 mL/Min   50 PSI (3.45 bar)				
<b>8</b>	7/16" OD Flex-A-Chem®   0.002 – 3.09 GPH   .098 - 195 mL/Min   50 PSI (3.45 bar)				
<b>Inlet/Outlet Connection Size, Connection Type</b>					
<b>T</b>	3/8" OD x 1/4" Tube Compression Fitting				
<b>M</b>	1/2" Male NPT Fitting				
<b>MB</b>	1/2" Male BSPT Fitting, Natural PVDF (Kynar)				
<b>A1</b>	<b>F</b>	<b>4</b>	<b>-</b>	<b>1</b>	<b>T</b> <b>Sample Model Number</b>

## Accessories

 <p><b>KIT-S07</b> <b>KIT-S15</b> <b>KIT-S30</b></p> <p>* Includes cover and foot valve</p> <p>KIT-S07 (7 Gallon), KIT-S15 (15 Gallon), KIT-S30 (30 Gallon) STAR III TANKS, PP</p>	 <p><b>KIT-PSM</b> WALL MOUNT BRACKET, HDPE</p>		
<p>90010-663 115V/60Hz NEMA 5/15 90010-664 220V/50Hz CEE 7/V11 90010-665 230V/50Hz BS 1363/A 90010-666 240V/50Hz AS 3112 90010-696 230V/60Hz NEMA 6/15</p> <p><b>POWER CABLES - 6 ft</b></p>	 <p><b>CABLE-UAC</b> USB A-C CABLE - 3 ft</p>	 <p><b>KIT-M12</b> TWO M12 CABLES - 9.8 ft</p>	 <p><b>A1-(see spare parts page)</b> Spare Tube Element</p>
 <p><b>TI40-6V</b> T.I. INJECTOR, 3/8" OD</p>	 <p><b>C-340A</b> FOOT VALVE</p>	<p><b>Visit Accessory Pages for More Options</b></p>	

# A2

## FLEXFLO® Peristaltic Metering Pump



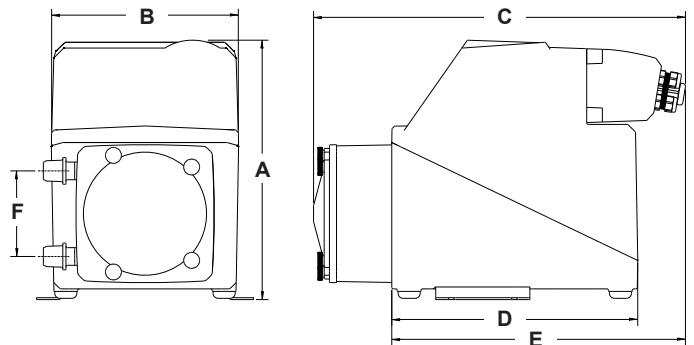
- > Self priming chemical metering pump delivers smooth chemical feed
- > Patented Tube Failure Detection senses tube rupture
- > Signal inputs include: 4-20mA, Pulse Inputs, Frequency Inputs
- > Signal outputs include: Relay (3 amp), 4-20mA (optional), Motor Status

### Highlights

<b>Flow range</b> .02 - 21.23 GPH .07 - 80.4 LPH	<b>Pressures up to</b> 125 (8.6 bar)	<b>Turndown ratio</b> 100 : 1	<b>Suction lift</b> 30 ft. Water at sea level (14.7 atm psi)
<b>Exclusive</b> Tube Failure Detection (TFD)	<b>Motor</b> Brushed DC	<b>Weight</b> 28.4 lb. (12.9 Kg)	<b>Warranty</b> 2 Years

### Dimensions

Dim	Inch	cm	Dim	Inch	cm
A	10.25"	26	D	9.5"	24.1
B	7.5"	19	E	11"	27.9
C	14"	35.6	F	3.38"	8.6



### What's in the box

A2 Peristaltic Metering Pump  
Two tube assemblies (one installed, one spare)  
Tube installation tool  
Mounting hardware kit  
USB Drive (Operating manual)

With "S" 3/8" OD x 1/4" ID tubing compression type connections:

- Suction tube – clear PVC – 10' length (3/8" OD, 1/4" ID)
- Suction strainer (C-342-6) and ceramic weight
- Discharge tube – opaque polyethylene – 10' (3/8" OD, 1/4" ID)
- Discharge injector "S", PVDF/Aflas, with 1/2 psi check (A-014NK-6A)

With "B" 1/2" hose barb type connections:

- Suction strainer, PVDF with 1/2" Barb. (71000-825)
- Discharge injector "B", PVDF/Aflas with 1/2 psi check (7100-770)

With "M" MNPT type connections:

- Suction strainer, PVDF with 1/2" MNPT (71000-824)
- Discharge injector "M", PVDF/Aflas with 1/2 psi check (7100-767)

No accessories with "C" Tri-clamp and "Q" Quick Disconnect




# Model Number Matrix

## FLEXFLO® Model Number

<b>A2</b>	FLEXFLO® Peristaltic Metering Pump								
<b>Series Control Options</b>									
<b>V</b>	Multiple automatic input output control and alarm modes (remote control)								
<b>Power Cord (operating voltage requirement 96VAC to 264VAC)</b>									
<b>4</b>	115V / 60HZ, power cord NEMA 5/15 plug (US)	<b>8</b>	240V / 50HZ, power cord AS 3112 plug (AU/New Zealand)						
<b>5</b>	230V / 60HZ, power cord NEMA 6/15 plug (US)	<b>9</b>	230V / 50HZ, power cord BS 1363 plug (UK)						
<b>6</b>	220V / 50HZ, power cord CEE 7/VII plug (EU)	<b>X</b>	No Power Cord						
<b>Inlet/Outlet Connection Size, Connection Type, Connection Material</b>									
<b>S</b>	3/8" OD x 1/4" ID Tube Compression Fitting, Natural PVDF (Kynar)								
<b>M</b>	1/2" Male NPT Fitting, Natural PVDF (Kynar)								
<b>B</b>	1/2" ID Tubing Barb Fitting, Natural PVDF (Kynar), available for ND, NEE, NGG, and G2G only								
<b>C</b>	1/2"-3/4" Tri-clamp connections, Natural PVDF (Kynar), available for ND, NEE, NGG, and G2G only								
<b>Q</b>	Quick Disconnect, Natural PVDF (Kynar), available for ND, NEE, NGG, and G2G only (valves sold seperately)								
<b>MB</b>	1/2" Male BSPT Fitting, Natural PVDF (Kynar)								
<b>Pump Tube Material, Pump Tube Size</b>									
<b>ND</b>	Flex-A-Prene® .075 ID   .02-1.7 GPH   125 PSI	<b>GE</b>	Flex-A-Thane® .125 ID   .04-4.0 GPH   65 PSI						
<b>NEE</b>	Flex-A-Prene® .093 ID   .044-4.44 GPH   110 PSI	<b>GG</b>	Flex-A-Thane® .187 ID   .09-9.3 GPH   65 PSI						
<b>NGG</b>	Flex-A-Prene® .187 ID   .172-17.2 GPH   110 PSI	<b>G2G</b>	Flex-A-Thane® .312 ID   .15-14.98 GPH   65 PSI						
<b>TH</b>	Flex-A-Chem® .250 ID   .14-14.3 GPH   50 PSI	<b>GH</b>	Flex-A-Thane® .312 ID   .21-21.23 GPH   65 PSI						
<b>Options</b> (leave this blank for standard model with left facing pump head inlet/outlet)									
<b>3</b>	4-20 mA analog output								
<b>R</b>	Right facing pump head, input / output (Left facing fluid input / output is standard)								
<b>D</b>	Down facing pump head, input / output (Left facing fluid input / output is standard)								
<b>A2</b>	<b>V</b>	<b>2</b>	<b>4</b>	<b>-</b>	<b>S</b>	<b>ND</b>	<b>-</b>	<b>3</b>	<b>Sample Model Number</b>

## Accessories



1/4" x 3/8" "S" Fitting  
1/2" Hose Barb "B" Fitting  
1/2" MNPT "M" Fitting

**Quick Disconnects**

- \*KIT-QSV FKM O-RINGS
- \*KIT-QSE EP O-RINGS
- \*KIT-QBV FKM
- \*KIT-QBE EP
- \*KIT-QMV FKM
- \*KIT-QME EP



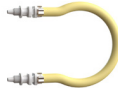
**KIT-PSM**  
Wall Mount Bracket, HDPE



**TI40-6V**  
T.I. INJECTOR, 3/8" OD



**C-340A**  
FOOT VALVE



**A2-(see spare parts page)**  
Spare Tube Element

Visit Accessory Pages for More Options

# A3

## FLEXFLO® Peristaltic Metering Pump



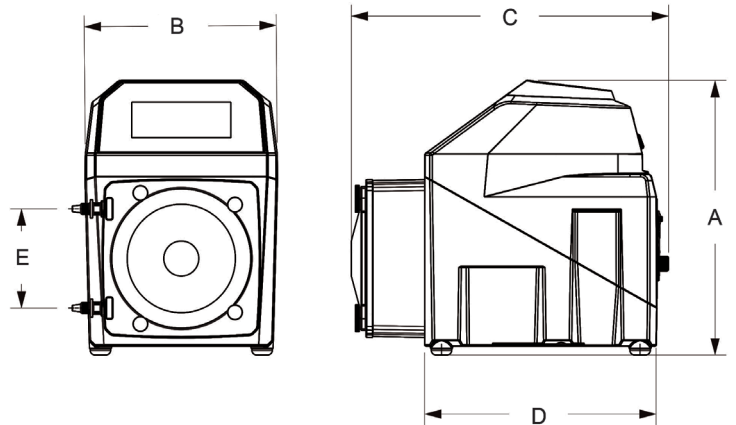
- > Self priming chemical metering pump delivers smooth chemical feed
- > Patented Tube Failure Detection senses tube rupture
- > Signal inputs include: 4-20mA, Pulse Inputs, Frequency Inputs
- > Signal outputs include: 4-20mA, Frequency Output, one 250V/6 AMP relay output, three 125V/1A outputs
- > Communications Protocols: Ethernet IP, Profibus, Modbus TCP

### Highlights

<b>Flow range</b>	<b>Pressures up to</b>	<b>Turndown ratio</b>	<b>Suction lift</b>
.001 - 33.3 GPH .003 - 126 LPH	125 PSI (8.6 bar)	2,500 : 1	30 ft. Water, 0 psig (9.14 m, 0 bar)
<b>Exclusive</b>	<b>Motor</b>	<b>Weight</b>	<b>Warranty</b>
Tube Failure Detection (TFD)	Brushless DC	25.4 lb. (11.5 Kg)	2 Years

### Dimensions

Dim	Inch	cm	Dim	Inch	cm
A	11.75"	29.8	D	10.5"	26.5
B	8.25"	20.9	E	4.25"	10.8
C	13.5"	34.5			



### What's in the box

A3 Peristaltic Metering Pump  
 Two tube assemblies (one installed, one spare)  
 Tube installation tool  
 Mounting hardware kit  
 USB Drive (Operating manual)

With "S" 3/8" OD x 1/4" ID tubing compression type connections:

- Suction tube – clear PVC – 10' length (3/8" OD, 1/4" ID)
- Suction strainer (C-342-6) and ceramic weight
- Discharge tube – opaque polyethylene – 10' (3/8" OD, 1/4" ID)
- Discharge injector "S", PVDF/Aflas, with 1/2 psi check (A-014NK-6A)

With "B" 1/2" hose barb type connections:

- Suction strainer, PVDF with 1/2" Barb. (71000-825)
- Discharge injector "B", PVDF/Aflas with 1/2 psi check (7100-770)

With "M" MNPT type connections:

- Suction strainer, PVDF with 1/2" MNPT (71000-824)
- Discharge injector "M", PVDF/Aflas with 1/2 psi check (7100-767)

No accessories with "C" Tri-clamp and "Q" Quick Disconnect

M12 Cables not included.




# Model Number Matrix

## FLEXFLO® Model Number

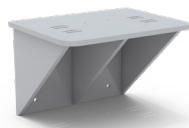
<b>A3</b>	FLEXFLO® A3 Peristaltic Metering Pump							
<b>Power Cord (operating voltage requirement 96VAC to 264VAC)</b>								
<b>4</b>	115V / 60HZ, power cord NEMA 5/15 plug (US)							
<b>6</b>	220V / 50HZ, power cord CEE 7/VII plug (EU)							
<b>X</b>	No Power Cord							
<b>Inlet/Outlet Connection Size, Connection Type, Connection Material</b>								
<b>S</b>	3/8" OD x 1/4" ID Tube Compression Fitting, Natural PVDF (Kynar)							
<b>M</b>	1/2" Male NPT Fitting, Natural PVDF (Kynar)							
<b>B</b>	1/2" ID Tubing Barb Fitting, Natural PVDF (Kynar), available for ND, NEE, NGG, NKL, and G2G only							
<b>C</b>	1/2"-3/4" Tri-clamp connections, Natural PVDF (Kynar), available for ND, NEE, NGG, NKL, and G2G only							
<b>Q</b>	Quick Disconnect, Natural PVDF (Kynar): ND, NEE, NGG, NKL, and G2G only (Valves sold separately)							
<b>MB</b>	1/2" Male BSPT Fitting, Natural PVDF (Kynar)							
<b>Pump Tube Material, Pump Tube Size</b>								
<b>ND</b>	Flex-A-Prene® .075 ID   .001-2.1 GPH   125 PSI	<b>GE</b>	Flex-A-Thane® .125 ID   .002-4.60 GPH   65 PSI					
<b>NEE</b>	Flex-A-Prene® .093 ID   .002-4.76 GPH   110 PSI	<b>GG</b>	Flex-A-Thane® .187 ID   .004-10.1 GPH   65 PSI					
<b>NGG</b>	Flex-A-Prene® .187 ID   .007-19.02 GPH   110 PSI	<b>G2G</b>	Flex-A-Thane® .187 ID   .007-18.23 GPH   65 PSI					
<b>NK</b>	Flex-A-Prene® .375 ID   .013-33.3 GPH   125 PSI	<b>GH</b>	Flex-A-Thane® .312 ID   .010-24.9 GPH   65 PSI					
<b>NKL</b>	Flex-A-Prene® .375 ID   .013-33.3 GPH   30 PSI	<b>GK</b>	Flex-A-Thane® .375 ID   .011-28.5 GPH   65 PSI					
<b>NHL</b>	Flex-A-Prene® .250 ID   .006-17.39 GPH   65 PSI	<b>TH</b>	Flex-A-Chem® .250 ID   .006-15.06 GPH   50 PSI					
		<b>TK</b>	Flex-A-Chem® .375 ID   .011-28.5 GPH   50 PSI					
<b>Options</b> (leave this blank for standard model with left facing head)								
<b>R</b>	Right facing pump head, input / output (Left facing fluid input / output is standard)							
<b>D</b>	Down facing pump head, input / output (Left facing fluid input / output is standard)							
<b>A3</b>	<b>S</b>	<b>V</b>	<b>2</b>	<b>4</b>	<b>-</b>	<b>S</b>	<b>ND</b>	<b>Sample Model Number</b>

## Accessories



1/4" x 3/8" "S" Fitting  
1/2" Hose Barb "B" Fitting  
1/2" MNPT "M" Fitting

**Quick Disconnects**   \*KIT-QSV FKM O-RINGS   \*KIT-QBV FKM   \*KIT-QMV FKM  
\*KIT-QSE EP O-RINGS   \*KIT-QBE EP   \*KIT-QME EP




**KIT-PSM**  
Wall Mount Bracket, HDPE



**KIT-M12**  
Two M12 Cables - 9.8 ft.

90010-663 115V/60Hz NEMA 5/15  
90010-664 220V/50Hz CEE 7/V11  
90010-665 230V/50Hz BS 1363/A  
90010-666 240V/50Hz AS 3112  
90010-696 230V/60Hz NEMA 6/15

**POWER CABLES - 6 ft**



**KIT-DP3**  
Profibus Cable, 3 ft



**TI40-6V**  
T.I. Injector, 3/8" OD

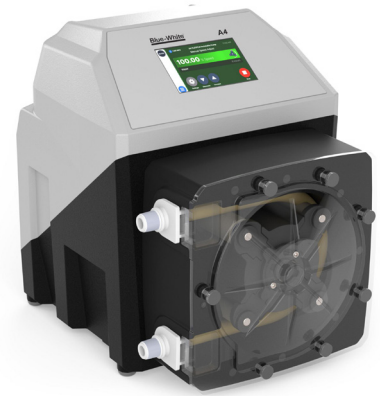


**C-340-A**  
FOOT VALVE

Visit Accessory Pages for More Options

# A4

## FLEXFLO® Peristaltic Metering Pump



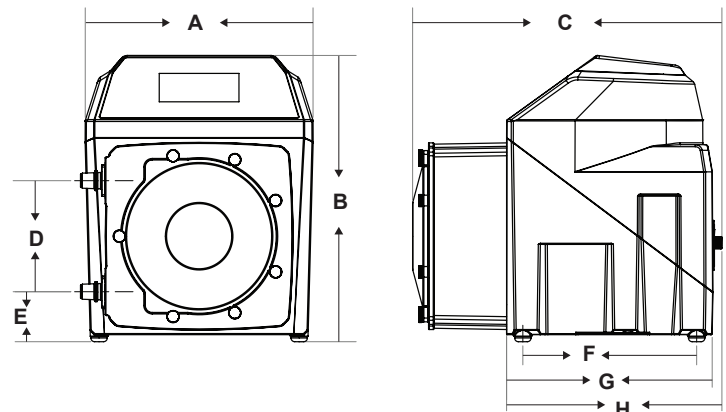
- > Self priming chemical metering pump delivers smooth chemical feed
- > Patented Tube Failure Detection senses tube rupture
- > Signal inputs include: 4-20mA, Pulse Inputs, Frequency Inputs
- > Signal outputs include: 4-20mA, Frequency Output, one 250V/6 AMP relay output, three 125V/1A
- > Communications Protocols: Ethernet IP, Profibus, Modbus TCP

### Highlights

<b>Flow range</b>	<b>Pressures up to</b>	<b>Turndown ratio</b>	<b>Suction lift</b>
.01 - 158.5 GPH .04 - 600 LPH	125 PSI (8.6 bar)	2,500 : 1	30 ft. Water, 0 psig (9.14 m, 0 bar)
<b>Exclusive</b>	<b>Motor</b>	<b>Weight</b>	<b>Warranty</b>
Tube Failure Detection (TFD)	Brushless DC	45.5 lb. (20.64 Kg)	2 Years

### Dimensions

Dim	Inch	cm	Dim	Inch	cm
A	12.1"	30.8	E	2.7"	6.8
B	15.3"	38.8	F	9.3"	23.5
C	16.5"	41.9	G	11.0"	27.8
D	5.9"	15.0	H	11.5"	29.2



### What's in the box

A4 Peristaltic Metering Pump  
 Two tube assemblies (one installed, one spare)  
 Tube installation tool  
 Mounting hardware kit  
 USB Drive (Operating manual)  
 M12 Cables not included.

With "B" ½" hose barb type connections:  
 • Suction strainer, PVDF with 1/2" Barb. (71000-825)  
 Discharge injector "B", PVDF/Aflas with 1/2 psi check (7100-770)

With "M" MNPT type connections:  
 • Suction strainer, PVDF with 1/2" MNPT (71000-824)  
 Discharge injector "M", PVDF/Aflas with 1/2 psi check (7100-767)

No accessories with "C" Tri-clamp and "Q" Quick Disconnect





# Model Number Matrix

## FLEXFLO® Model Number

**A4** FLEXFLO® A4 Peristaltic Metering Pump

### Power Cord (operating voltage requirement 96VAC to 264VAC)

<b>4</b>	115V / 60HZ, power cord NEMA 5/15 plug (US)
<b>6</b>	220V / 50HZ, power cord CEE 7/III plug (EU)
<b>X</b>	No Power Cord

### Inlet/Outlet Connection Size, Connection Type, Connection Material

<b>M</b>	1/2" Male NPT Fitting, Natural PVDF (Kynar)
<b>B</b>	1/2" ID Tubing Barb Fitting, Natural PVDF (Kynar)
<b>C</b>	1/2" - 3/4" Tri-clamp connections, Natural PVDF (Kynar)
<b>Q</b>	Quick Disconnect, Natural PVDF (Kynar), NP flow rate reduced 16.5% with Quick Disconnect connections (Valves sold separately)
<b>MB</b>	1/2" Male BSPT Fitting, Natural PVDF (Kynar)

### Pump Tube Material, Pump Tube Size NOTE: \* = Dual tube


<b>NH</b>	Flex-A-Prene® .250 ID   .01–28.5 GPH   125 PSI	<b>GH</b>	Flex-A-Thane® .312 ID   .01–39.6 GPH   65 PSI
<b>NHH*</b>	Flex-A-Prene® .250 ID   .02–54.0 GPH   100 PSI	<b>GHH*</b>	Flex-A-Thane® .312 ID   .03–71 GPH   65 PSI
<b>NHHL*</b>	Flex-A-Prene® .250 ID   .02–54.0 GPH   65 PSI	<b>GK</b>	Flex-A-Thane® .375 ID   .02–55.5 GPH   65 PSI
<b>NHL</b>	Flex-A-Prene® .250 ID   .01–28.5 GPH   65 PSI	<b>GKK*</b>	Flex-A-Thane® .375 ID   .04–100 GPH   65 PSI
<b>NK</b>	Flex-A-Prene® .375 ID   .02–50.7 GPH   80 PSI	<b>TH</b>	Flex-A-Chem® .250 ID   .01–25.4 GPH   30 PSI
<b>NL</b>	Flex-A-Prene® .500 ID   .04–100.0 GPH   50 PSI	<b>TK</b>	Flex-A-Chem® .375 ID   .02–54.0 GPH   30 PSI
<b>NP</b>	Flex-A-Prene® .750 ID   .06–158.5 GPH   30 PSI	<b>TKK*</b>	Flex-A-Chem® .375 ID   .05–126 GPH   30 PSI

### Options (leave this blank for standard model with left facing head)

<b>R</b>	Right facing pump head, input / output
<b>D</b>	Down facing pump head, input / output

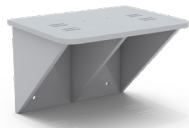
**A4 S V 2 4 - M NH**      Sample Model Number

## Accessories



1/2" Hose Barb "B" Fitting  
1/2" MNPT "M" Fitting

**Quick Disconnects**    \*KIT-QBV FKM O-rings    \*KIT-QBE EP    \*KIT-QBA Aflas  
\*KIT-QMV FKM    \*KIT-QME EP    \*KIT-QMA Aflas



**KIT-PSM**  
Wall Mount Bracket, HDPE



**KIT-M12**  
Two M12 Cables - 9.8 ft.

90010-663 115V/60Hz NEMA 5/15  
90010-664 220V/50Hz CEE 7/V11  
90010-665 230V/50Hz BS 1363/A  
90010-666 240V/50Hz AS 3112  
90010-696 230V/60Hz NEMA 6/15

**POWER CABLES - 6 ft**



**KIT-DP3**  
Profibus Cable, 3 ft

Visit Accessory Pages for More Options

# A5

## FLEXFLO® Peristaltic Metering Pump

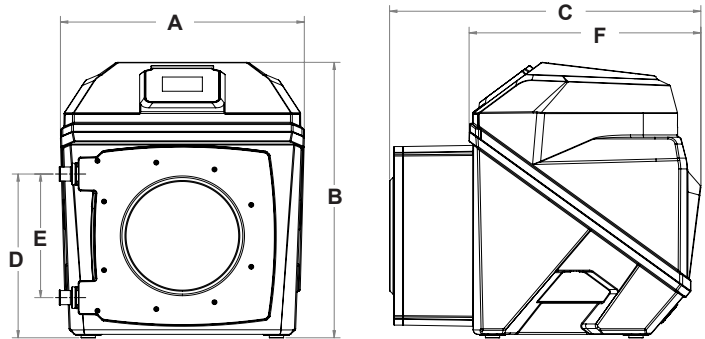
- > Self priming chemical metering pump delivers smooth chemical feed
- > Patented Tube Failure Detection senses tube rupture
- > Signal inputs include: 4-20mA, Pulse Inputs, Frequency Inputs
- > Signal outputs include: 4-20mA, Frequency Output, one 250V/6 AMP relay output, three 125V/1A
- > Communications Protocols: Ethernet IP, Profibus, Modbus TCP

### Highlights

<b>Flow range</b>	<b>Pressures up to</b>	<b>Turndown ratio</b>	<b>Suction lift</b>
.03 - 534 GPH .1 - 2041 LPH	65 PSI (4.4 bar)	2,500 : 1	30 ft. Water, 0 psig (9.14 m, 0 bar)
<b>Exclusive</b>	<b>Motor</b>	<b>Weight</b>	<b>Warranty</b>
Tube Failure Detection (TFD)	Brushless DC	178 lb. (80.7 Kg)	2 Years

### Dimensions

Dim	Inch	cm	Dim	Inch	cm
A	25.7"	65.2	D	17.9"	45.4
B	30.1"	76.4	E	13.5"	34.3
C	32.8"	83.3	F	24.4"	62.0



### What's in the box

- A5 Peristaltic Metering Pump
- One tube assemblies (installed)
- One Tube Replacement Kit
- Floor Mount Kit
- USB Drive (Operating manual)
- M12 Cables not included.



# Model Number Matrix

A5

## Model Number

<b>A5</b>	FLEXFLO® Peristaltic metering pump							
<b>Power Cord (operating voltage user selectable 115V/240 VAC 50/60Hz)</b>								
<b>4</b>	115V / 60Hz, power cord NEMA 5/15 plug (US)							
<b>6</b>	220V / 50HZ, power cord CEE 7/VII plug (EU)							
<b>X</b>	No Power Cord							
<b>Inlet/Outlet Connection Size, Connection Type, Connection Material</b>								
<b>M</b>	1.5" Male NPT Fitting, Polypropylene, FKM O-rings							
<b>B</b>	1.5" Hose Barb, Polypropylene, FKM O-rings							
<b>Pump Tube Material, Pump Tube Size, Output Range, Pressure</b>								
<b>NPP</b>	Flex-A-Prene® .750 ID   0.2136– 534 GPH   0.8084 - 2021 LPH   13.476 - 33690 mL/min   30 PSI							
<b>NLL</b>	Flex-A-Prene® .500 ID   0.1072 – 286 GPH   0.4332 - 1083 LPH   7.222 - 18056 mL/min   50 PSI							
<b>NHHL</b>	Flex-A-Prene® .250 ID   0.0302 – 75.6 GPH   0.1144 - 286 LPH   1.907 - 4769 mL/min   65 PSI							
<b>GKK</b>	Flex-A-Thane® .375 ID   0.0617 – 154.2 GPH   0.2334 - 583.6 LPH   3.891 - 9728 mL/min 50 PSI							
<b>Options (leave this blank for standard model with left facing pump head inlet/outlet)</b>								
<b>R</b>	Right facing pump head, input / output (Left facing fluid input / output is standard)							
<b>E</b>	EP O-rings							
<b>A5</b>	<b>S</b>	<b>2</b>	<b>4</b>	<b>-</b>	<b>M</b>	<b>NPP</b>	<b>R</b>	<b>Sample Model Number</b>

## Accessories

90010-663 115V/60Hz NEMA 5/15  
 90010-664 220V/50Hz CEE 7/V11  
 90010-665 230V/50Hz BS 1363/A  
 90010-666 240V/50Hz AS 3112  
 90010-696 230V/60Hz NEMA 6/15

**POWER CABLES - 6 ft**



**CABLE-UAC**  
 USB A-C CABLE



**KIT-M12**  
 TWO M12 CABLES



**KIT-DP3**  
 ONE 3ft PROFIBUS CABLE

\***KIT-M12-3** Three M12 Cables and **KIT-M12-6** Six M12 Cables also available.

Visit Accessory Pages for More Options

# A-100N

## FLEXFLO® Peristaltic Metering Pump



### Analog Units

- > Manual output control with easy dial knob style
- > Variable speed motor control

### Digital Units

- > Manual or automatic control
- > Accepts 4-20mA, 0-10VDC, and pulse input signals
- > Variable speed motor control

## Highlights

<b>Flow range</b> .1 - 5.2 GPH .4 - 20 LPH	<b>Pressures up to</b> 100 PSI (6.9 bar)	<b>Turndown ratio</b> 20 : 1	<b>Suction lift</b> 30 ft. Water, 0 psig (9.14 m, 0 bar)
<b>Exclusive</b> Tube Failure Detection (TFD)	<b>Motor</b> Brushed DC	<b>Weight</b> 8 lb. (3.63 Kg)	<b>Warranty</b> 1 Year

## Dimensions

Dim	Inch	cm
A	9.375"	23.81
B	9.50"	24.10
C	9.125"	23.18
D	6.00"	15.24

**\*Analog Units**  
A-100NF

**\*Digital Units**  
A-100NV

## What's in the box


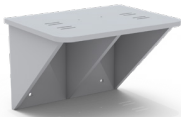




- |  |                       |
|--|-----------------------|
| A100N Peristaltic Metering Pump                                      | Mounting hardware kit |
| Two tube assemblies (one installed, one spare)                       | Display shield        |
| Suction tube – clear PVC<br>5' length (3/8" OD, 1/4" ID)             | Tube nuts (x2)        |
| Suction strainer (C-342-6)   | Instruction manual    |
| Suction ceramic weight   |                       |
| Discharge tube – opaque polyethylene<br>5' length (3/8" OD, 1/4" ID) |                       |
| Discharge injection fitting with 1/2 psi check (A-014N-6A)           |                       |

# Model Number Matrix

## FLEXFLO® Model Number

<b>A1N</b>	FLEXFLO® Peristaltic Metering Pump								
<b>Maximum Motor RPM</b>									
<b>0</b>	14 RPM								
<b>1</b>	30 RPM								
<b>2</b>	45 RPM								
<b>3</b>	60 RPM								
<b>Power Cord</b>									
<b>0</b>	115V / 60HZ, power cord NEMA 5/15 plug (US)								
<b>1</b>	220V / 50HZ, power cord CEE7/VII plug (EU)								
<b>Input/Output Control</b>									
<b>F</b>	Analog Speed Control								
<b>V</b>	Digital Speed Control with external input								
<b>Pump Tube Material, Pump Tube Size, Flow Rate</b>									
<b>1</b>	1/4" OD Flex-A-Thane®, 65 PSI (14 RPM = 5.7 GPD, 30 RPM = 13.3 GPD, 45 RPM = 20.5 GPD, 60 RPM = 25.5 GPD)								
<b>2</b>	3/8" OD Flex-A-Thane®, 65 PSI (14 RPM = 12.2 GPD, 30 RPM = 28.5 GPD, 45 RPM = 43.6 GPD, 60 RPM = 53.3 GPD)								
<b>3</b>	7/16" OD Flex-A-Thane®, 50 PSI (14 RPM = 27.8 GPD, 30 RPM = 65.8 GPD, 45 RPM = 99.2 GPD, 60 RPM = 124 GPD)								
<b>4</b>	1/4" OD Flex-A-Prene®, 100 PSI (14 RPM = 2.3 GPD, 30 RPM = 4.9 GPD, 45 RPM = 8.0 GPD, 60 RPM = 9.5 GPD)								
<b>6</b>	3/8" OD Flex-A-Prene®, 100 PSI (14 RPM = 6.9 GPD, 30 RPM = 16.0 GPD, 45 RPM = 24.0 GPD, 60 RPM = 30.1 GPD)								
<b>7</b>	7/16" OD Flex-A-Prene®, 50 PSI (14 RPM = 21.7 GPD, 30 RPM = 52.5 GPD, 45 RPM = 76.1 GPD, 60 RPM = 95.1 GPD)								
<b>8</b>	7/16" OD Flex-A-Chem®, 50 PSI (14 RPM = 15.2 GPD, 30 RPM = 31.9 GPD, 45 RPM = 53.3 GPD, 60 RPM = 68.4 GPD)								
<b>Options</b> (leave this blank for standard model with left facing pump head inlet/outlet)									
<b>X</b>	NSF 61 certified (only with -4T, -6T, -7T, and -8T tubes) (ships without accessories)								
<b>A1N</b>	<b>0</b>	<b>0</b>	<b>F</b>	<b>-</b>	<b>1</b>	<b>T</b>	<b>-</b>	<b>X</b>	<b>Sample Model Number</b>

## Accessories

 <p><b>STAR3-7</b> <b>STAR3-15</b> <b>STAR3-30</b></p> <p>* Includes cover and foot valve</p> <p>STAR3-7 (7 Gal), STAR3-15(15 Gal), STAR3-30 (30 Gal) STAR III TANKS, PP</p>	 <p><b>KIT-PSM</b> WALL MOUNT BRACKET, HDPE</p>	 <p><b>A1-(see spare parts page)</b> Spare Tube Element</p>
 <p><b>TI40-6V</b> T.I. INJECTOR, 3/8" OD</p>	 <p><b>C-340A</b> FOOT VALVE</p>	 <p><b>A-014NK-6A</b> PVDF INJECTOR</p>

Visit [Accessory Pages](#) for more Options

# A-100N (Polymer)

## FLEXFLO® Peristaltic Metering Pump



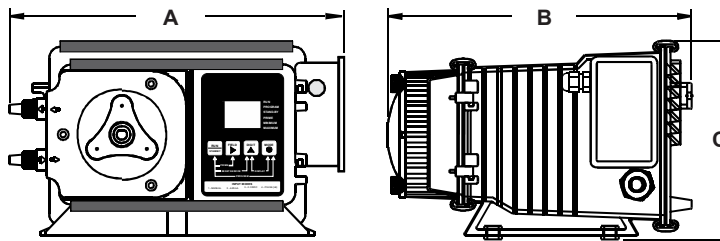
- > Enhanced Tube Failure Detection (TFD+) detects oil and water based polymers
- > Gentle pumping action for long chain polymers
- > Ideal for low and high viscosity fluids
- > Manual and Digital 4-20ma speed control models.

### Highlights

<b>Flow range</b>	<b>Pressures up to</b>	<b>Turndown ratio</b>	<b>Suction lift</b>
.1 - 5.2 GPH .4 - 20 LPH	65 PSI (4.5 bar)	20 : 1	30 ft. Water, 0 psig (9.14 m, 0 bar)
<b>Exclusive</b>	<b>Motor</b>	<b>Weight</b>	<b>Warranty</b>
Tube Failure Detection (TFD+)	Brushed DC	8 lb. (3.63 Kg)	1 Year

### Dimensions

Dim	Inch	cm
A	9.50"	24.10
B	9.125"	23.18
C	6.00"	15.24



**\*Polymer Units**  
A-100NVP, A-100NFP only

### What's in the box


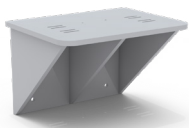




- |  |                          |
|--|--------------------------|
| A100N Peristaltic Metering Pump                                      | Mounting hardware kit    |
| Two tube assemblies (one installed, one spare)                       | Display shield           |
| Suction tube – clear PVC<br>5' length (3/8" OD, 1/4" ID)             | Tube nuts (x2)           |
| Suction strainer (C-342-6)   | Silicon Oil, 50z. bottle |
| Suction ceramic weight   | Instruction manual       |
| Discharge tube – opaque polyethylene<br>5' length (3/8" OD, 1/4" ID) |                          |
| Discharge injection fitting with 1/2 psi check (A-014N-6A)           |                          |

# Model Number Matrix

## FLEXFLO® Model Number

<b>A1N</b>	FLEXFLO® Peristaltic Metering Pump								
<b>Maximum Motor RPM</b>									
<b>0</b>	14 RPM								
<b>1</b>	30 RPM								
<b>2</b>	45 RPM								
<b>3</b>	60 RPM								
<b>Power Cord</b>									
<b>0</b>	115V / 60HZ, power cord NEMA 5/15 plug (US)								
<b>1</b>	220V / 50HZ, power cord CEE7/VII plug (EU)								
<b>Input/Output Control</b>									
<b>F</b>	Analog Speed Control								
<b>V</b>	Digital Speed Control with external input								
<b>Pump Tube Material, Pump Tube Size</b>									
<b>1</b>	1/4" OD Flex-A-Thane®, 65 PSI								
<b>2</b>	3/8" OD Flex-A-Thane®, 65 PSI								
<b>3</b>	7/16" OD Flex-A-Thane®, 50 PSI								
<b>Polymer Pump Model</b>									
<b>P</b>	Polymer Pump equipped with TFD+								
<b>A1N</b>	<b>0</b>	<b>0</b>	<b>F</b>	<b>-</b>	<b>1</b>	<b>T</b>	<b>-</b>	<b>P</b>	<b>Sample Model Number</b>

## Accessories

 <p><b>STAR3-7</b> <b>STAR3-15</b> <b>STAR3-30</b></p> <p>* Includes cover and foot valve</p> <p>STAR3-7 (7 Gal), STAR3-15(15 Gal), STAR3-30 (30 Gal) STAR III TANKS, PP</p>	 <p><b>KIT-PSM</b> WALL MOUNT BRACKET, HDPE</p>	 <p><b>A1-1T, A1-2T, A1-3T</b> Spare Tube Element</p>
 <p><b>TI40-6V</b> T.I. INJECTOR, 3/8" OD</p>	 <p><b>C-340A</b> FOOT VALVE</p>	 <p><b>A-014NK-6A</b> PVDF INJECTOR</p>

Visit [Accessory Pages](#) for more Options

# PERISTALTIC PUMP WARRANTY

## LIMITED WARRANTY

Your Blue-White product is a quality product and is warranted for a specific time from date of purchase (proof of purchase is required). The product will be repaired or replaced at our discretion. Failure must have occurred due to defect in material or workmanship and not as a result of operation of the product other than in normal operation as defined in the product manual. Warranty status is determined by the product's serial label and the sales invoice or receipt. The serial label must be on the product and legible. The warranty status of the product will be verified by Blue-White or a factory authorized service center. Pump Head and roller assembly is warranted against damage from chemical attack when proper TFD (Tube Failure Detection) system instructions and maintenance procedures are followed.

FLEXFLO® A1, A2, A3 and A4 pumps are warranted for 2 years from date of purchase (proof of purchase is required). FLEXFLO® A-100N Pumps are warranted for 1 year from date of purchase (proof of purchase is required). Pumps will be repaired or replaced at our discretion. Pump Head and roller assembly is warranted for 2 years against damage from chemical attack when proper TFD (Tube Failure Detection) system instructions and maintenance procedures are followed.

## WHAT IS NOT COVERED

- FLEXFLO® Pump Tube Assemblies and rubber components They are perishable and require periodic replacement.
- Pump removal, or re-installation, and any related labor charge.
- Freight to the factory, or service center.
- Products that have been tampered with, or in pieces.
- Damage resulting from misuse, carelessness such as chemical spills on the enclosure, abuse, lack of maintenance, or alteration which is out of our control.
- Damage by faulty wiring, power surges or acts of nature.

BLUE-WHITE does not assume responsibility for any loss, damage, or expense directly or indirectly related to or arising out of the use of its products. Failure must have occurred due to defect in material or workmanship and not as a result of operation of the product other than in normal operation as defined in the pump manual.

Warranty status is determined by the pump's serial label and the sales invoice or receipt. The serial label must be on the pump and legible. The warranty status of the pump will be verified by Blue-White or a factory authorized service center.

## PROCEDURE FOR IN WARRANTY REPAIR

Warranty service must be performed by the factory or an authorized service center. Contact the factory or local repair center to obtain a RMA (Return Material Authorization) number. It is recommended to include foot strainer and injection/check valve fitting since these devices may be clogged and part of the problem. Decontaminate, dry, and carefully pack the product to be repaired. Please enclose a brief description of the problem and proof of purchase. Prepay all shipping and insurance cost. COD shipments will not be accepted. Damage caused by improper packaging is the responsibility of the sender. When In-Warranty repair is completed, the factory pays for return shipping to the dealer or customer.

## PRODUCT USE WARNING

Blue-White products are manufactured to meet the highest quality standards in the industry. Each product instruction manual includes a description of the associated product warranty and provides the user with important safety information. Purchasers, installers, and operators of Blue-White products should take the time to inform themselves about the safe operation of these products. In addition, Customers are expected to do their own due diligence regarding which products and materials are best suited for their intended applications. BLUE-WHITE is pleased to assist in this effort but does not guarantee the suitability of any particular product for any specific application as Blue-White does not have the same degree of familiarity with the application that the customer/end user has. While BLUE-WHITE will honor all of its product warranties according to their terms and conditions, Blue-White shall only be obligated to repair or replace its defective parts or products in accordance with the associated product warranties.

**BLUE-WHITE SHALL NOT BE LIABLE EITHER IN TORT OR IN CONTRACT FOR ANY LOSS OR DAMAGE WHETHER DIRECT, INDIRECT, INCIDENTAL, OR CONSEQUENTIAL, ARISING OUT OF OR RELATED TO THE FAILURE OF ANY OF ITS PARTS OR PRODUCTS OR OF THEIR NONSUITABILITY FOR A GIVEN PURPOSE OR APPLICATION.**

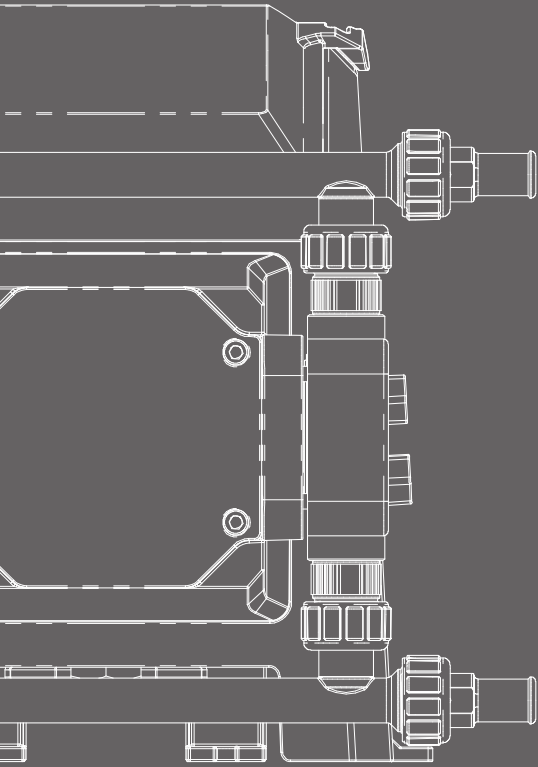
## CHEMICAL RESISTANCE WARNING

BLUE-WHITE offers a wide variety of wetted parts. Purchasers, installers, and operators of Blue-White products must be well informed and aware of the precautions to be taken when injecting or measuring various chemicals, especially those considered to be irritants, contaminants or hazardous. Customers are expected to do their own due diligence regarding which products and materials are best suited for their applications, particularly as it may relate to the potential effects of certain chemicals on Blue-White products and the potential for adverse chemical interactions. Blue-White tests its products with water only. The chemical resistance information included in this instruction manual was supplied to BLUE-WHITE by reputable sources, but Blue-White is not able to vouch for the accuracy or completeness thereof. While BLUE-WHITE will honor all of its product warranties according to their terms and conditions, Blue-White shall only be obligated to repair or replace its defective parts or products in accordance with the associated product warranties.

**BLUE-WHITE SHALL NOT BE LIABLE EITHER IN TORT OR IN CONTRACT FOR ANY LOSS OR DAMAGE, WHETHER DIRECT, INDIRECT, INCIDENTAL, OR CONSEQUENTIAL, ARISING OUT OF OR RELATED TO THE USE OF CHEMICALS IN CONNECTION WITH ANY BLUE-WHITE PRODUCTS.**

Users of electrical and electronic equipment (EEE) with the WEEE marking per Annex IV of the WEEE Directive must not dispose of end of life EEE as unsorted municipal waste, but use the collection framework available to them for the return, recycle, recovery of WEEE and minimize any potential effects of EEE on the environment and human health due to the presence of hazardous substances. The WEEE marking applies only to countries within the European Union (EU) and Norway. Appliances are labeled in accordance with European Directive 2002/96/EC. Contact your local waste recovery agency for a Designated Collection Facility in your area.

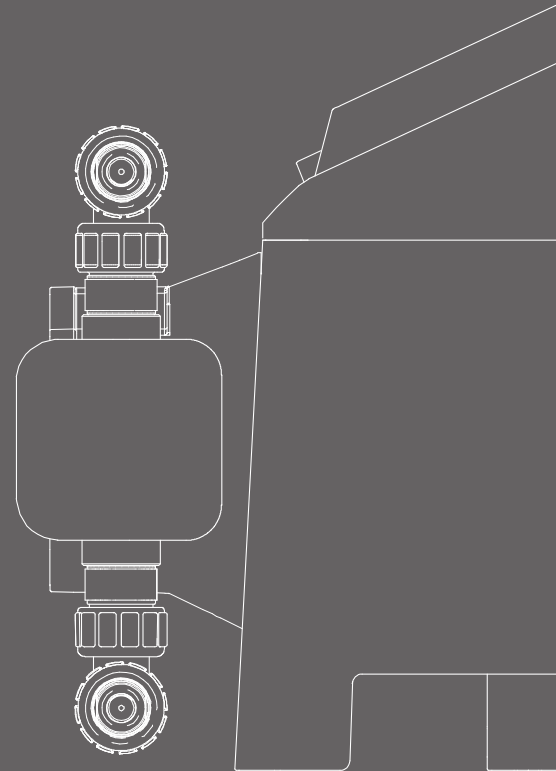




# INDUSTRIAL

Diaphragm  
Metering Pumps

**Blue-White**<sup>®</sup>



# CD1

## CHEM-FEED® Multi-Diaphragm Metering Pump

- > Smooth chemical dosing, no pulsation dampener needed
- > Diaphragm Failure Detection system senses diaphragm failure
- > Remote Start/Stop
- > Relay outputs include a single 250V/3A and a single solid state
- > SCADA I/O include: 4-20 mA input, 4-20 mA output
- > 1/4" x 3/8" inlet/outlet connections standard (1/2" MNPT and 1/2" Hose Barb fittings available)

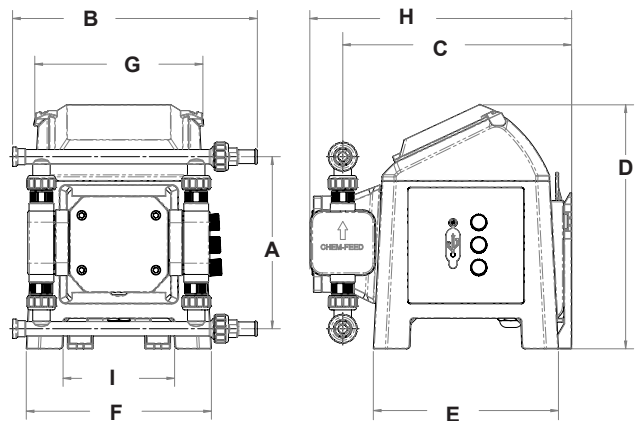


### Highlights

<b>Flow range</b>	<b>Pressures up to</b>	<b>Turndown ratio</b>	<b>Suction lift</b>
.004 - 7.70 GPH .015 - 29.2 LPH	150 PSI (10.3 bar)	2,000 : 1	20 ft. at 0 PSI
<b>Exclusive</b>	<b>Motor</b>	<b>Weight</b>	<b>Warranty</b>
Diaphragm Failure Detection (DFD)	Brushless DC	8.5 lb. (3.8 Kg)	2 Years

### Dimensions

Dim	Inch	Cm	Dim	Inch	Cm
A	6.67"	16.94	F	7.18"	18.23
B	9.49"	24.10	G	6.52"	16.55
C	8.87"	22.54	H	10.40"	26.41
D	9.46"	24.02	I	4.32"	10.98
E	7.18"	18.23			



### What's in the box

CD1 Multi-Diaphragm Metering Pump with 1/4" x 3/8" tube connections (1/2" MNPT (KIT-C5M) and 1/2" Barb (KIT-C5B) Connectoras available. See Accessories and Spare Parts for options)  
 Discharge injection fitting with check valve, PVDF/Aflas (71000-555)  
 Suction tube – clear PVC – 5' length (3/8" OD, 1/4" ID)  
 Suction foot valve / strainer, PVDF (71010-261)  
 Suction ceramic weight  
 Discharge tube – opaque polyethylene – 5' length (3/8" OD, 1/4" ID)  
 Mounting hardware kit  
 Display shield  
 Instruction manual  
 (M12 cables not included)




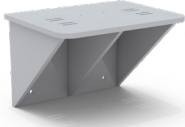






# Model Number Matrix

CD1

## CHEM-FEED® Model Number

<b>CD1</b>	CHEM-FEED® Diaphragm Metering Pump (includes 1/4" x 3/8" compression tubing connection for suction/discharge - see accessories for other options)				
<b>Control</b>					
<b>F</b>	Standard Control Methods (Manual, Remote, FVS)				
<b>V</b>	4-20mA Input, 4-20mA Output, in addition to Standard Control Methods (Manual, Remote, FVS)				
<b>Diaphragm and O-Rings Material</b>					
<b>V</b>	DiaFlex® Diaphragms and TFE/P O-Rings (For all chemicals excluding caustic soda and aqueous ammonia)				
<b>E</b>	Flex-A-Prene® Diaphragms and EP O-Rings (For caustic soda and aqueous ammonia)				
<b>Power Cord - Removable (Operating voltage requirement 96VAC to 264VAC)</b>					
<b>4</b>	115V 50/60Hz, power cord NEMA 5/15 plug (US)				
<b>6</b>	220V 50/60Hz, power cord CEE 7/V11 plug (EU)				
<b>X</b>	No Power Cord Provided (Power cord is required - See accessories for power cord options)				
<b>CD1</b>	<b>F</b>	<b>V</b>	<b>1</b>	<b>4</b>	<b>Sample Model Number</b>

## Accessories

 <p><b>KIT-S07</b> <b>KIT-S15</b> <b>KIT-S30</b></p> <p>* Includes cover and foot valve</p> <p>KIT-S07 (7 Gallon), KIT-S15 (15 Gallon), KIT-S30 (30 Gallon) STAR III TANKS, PP</p>	 <p><b>KIT-PSM</b> WALL MOUNT BRACKET, HDPE</p>		
<p><b>Teflon Ball Check Cartridge Valve Kit (PVDF body, TFE/P O-rings, PTFE balls) 4 cartridges included.</b></p> <p><b>20000-177 PTFE Ball Checks</b></p>	 <p><b>KIT-C5M</b> 1/2" MNPT Connector Kit</p>	 <p><b>KIT-C5B</b> 1/2" HOSE BARB Connector Kit</p>	 <p><b>KIT-CQA (Aflas) / KIT-CQE (EP)</b> QUICK CONNECT KIT MD1</p>
<p><b>POWER CABLES - 6 ft</b> 90010-663 115V/60Hz NEMA 5/15 90010-664 220V/50Hz CEE 7/V11 90010-665 230V/50Hz BS 1363/A 90010-666 240V/50Hz AS 3112 90010-696 230V/60Hz NEMA 6/15</p> <p><b>USB Cable</b> CABLE-UAC USB A-C 3 ft</p> <p><b>POWER / USB CABLES</b></p>	 <p><b>KIT-M12</b> TWO M12 CABLES - 9.8 ft</p>	 <p><b>71000-577</b> PVDF INJECTOR, 1/2" MNPT</p>	 <p><b>71000-849</b> FOOT VALVE, 1/2" MNPT</p>

# CD3

## CHEM-FEED® Multi-Diaphragm Metering Pump



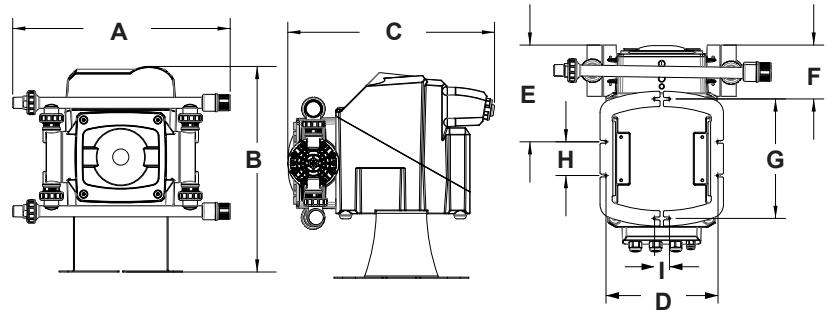
- > Diaphragm Failure Detection system senses diaphragm failure
- > Exclusive Patented DiaFlex® PVDF single-layer diaphragm
- > Smooth chemical dosing, no pulsation dampener needed
- > Multi-diaphragm technology eliminates vapor locking
- > Signal inputs include: 4-20mA, pulse inputs, and remote start/stop

### Highlights

<b>Flow range</b>	<b>Pressures up to</b>	<b>Turndown ratio</b>	<b>Suction lift</b>
.05 - 52.6 GPH .2 - 199 LPH	145 PSI (10 bar)	1,000 : 1	23 ft. Water, 0 psig (7 m, 0 bar)
<b>Exclusive</b>	<b>Motor</b>	<b>Weight</b>	<b>Warranty</b>
Diaphragm Failure Detection (DFD)	Brushless DC Motor	48 lb. (21.77 Kg)	2 Years

### Dimensions

Dim	Inch	cm	Dim	Inch	cm
A	16.13"	40.97	F	4.00"	10.15
B	15.25"	38.72	G	8.86"	22.50
C	15.33"	38.95	H	2.50"	6.35
D	8.30"	21.08	I	1.10"	2.79
E	7.18"	18.22			



### What's in the box

- CD3 Multi-Diaphragm Metering Pump
- Suction foot valve, PVDF, 1/2" MNPT (71000-849)
- Injector, PVDF, 1/2" MNPT (71000-577)
- Mounting hardware kit, including extended mounting brackets
- Fitting Kit
  - 1/2" M/NPT straight and elbow connections
  - 1/2" Hose barb straight and elbow connections
  - Union nuts
- USB Drive (Operating Manual)
- Quick Start Guide
- Not included: Suction Tubing, Discharge Tubing.**



# Model Number Matrix

## Multi-Diaphragm Model Number

**CD3** CHEM-FEED® Multi-Diaphragm Metering Pump

### Input Voltage / Power Cord

<b>4</b>	115V / 60Hz, power cord NEMA 5/15 plug (US)
<b>5</b>	230V / 60Hz, power cord NEMA 6/15 plug (US)
<b>6</b>	220V / 50HZ, power cord CEE 7/VII plug (EU)
<b>8</b>	240V / 50HZ, power cord AS 3112 plug (Australia/New Zealand)
<b>9</b>	230V / 50HZ, power cord BS 1363/A plug (United Kingdom)
<b>X</b>	No Power Cord

### Elastomer Material (O-Rings)

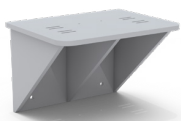
<b>V</b>	TFE/P
<b>E</b>	EP

### Options (leave blank for standard model)


<b>S</b>	Flex-A-Prene® Diaphragms (Caustic Soda resistant diaphragms)
<b>H</b>	PTFE balls (double ball check valve, injection fitting) low viscosity/density fluids only

**CD3 2 4 4 X V X - S** Sample Model Number

## Accessories



**KIT-PSM**  
Wall Mount Bracket, HDPE



**71000-579**  
PVDF INJECTOR, 1/2" Hose Barb  
**71000-577**  
PVDF INJECTOR, 1/2" MNPT



**76001-361**  
Suction Tubing, Clear PVC, 1/2" ID, 8ft  
**90008-437**  
Discharge Tubing, Braided PVC, 1/2" ID

### Ball Check Cartridge Options

**20000-228 (2 req.)**  
Ball Check Cart. Hastelloy Balls  
**70001-409 (4 req.)**  
Ball Check Cart., Single Ceramic Ball with Hastelloy Spring

Visit [Accessory Pages](#) for More Options

# C2

## CHEM-FEED<sup>®</sup> Diaphragm Metering Pump



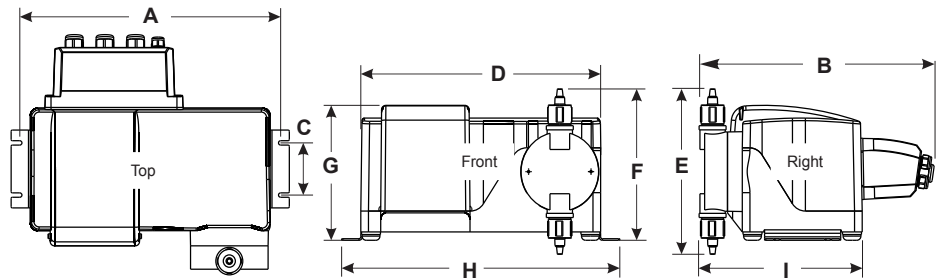
- > Built-in leak detection (DFD) senses diaphragm failure
- > Exclusive Patented DiaFlex<sup>®</sup> diaphragm
- > Signal inputs include: 4-20mA, pulse inputs, and Remote start/stop
- > Signal outputs include: Relay (3 amp)

### Highlights

<b>Flow range</b>	<b>Pressures up to</b>	<b>Turndown ratio</b>	<b>Suction lift</b>
.02 - 16.5 GPH .09 - 62.5 LPH	175 PSI (12 bar)	100 : 1	15 ft. Water, 0 psig (4.5 m, 0 bar)
<b>Exclusive</b>	<b>Motor</b>	<b>Weight</b>	<b>Warranty</b>
Diaphragm Failure Detection (DFD)	Brushed DC	31 lb. (14.06 Kg)	2 Years

### Dimensions

Dim	Inch	cm	Dim	Inch	cm
A	14.1"	35.8	F	7.3"	18.5
B	11.5"	29.2	G	6.5"	16.4
C	2.5"	6.4	H	15"	38.1
D	13.1"	33.3	I	8"	20.3
E	7.9"	20.1			



**NOTE:** Optional Extended Bracket adds 4.5" (11.43cm) to overall height (dimension F and G).

### What's in the box

- C2 Diaphragm Metering Pump
- Discharge injection fitting with check valve
- Option "A,B,C"** – 1/2" ID x 3/4" OD tubing pump head
  - 1/2" hose barb injector • 1/2" hose barb foot valve
  - Tubing and hose clamp
- Option "D"** – 1/4" ID x 3/8" OD Tubing pump head
  - Suction foot valve and ceramic weight
  - Injector, suction tubing - 10 ft.
  - discharge tubing - 10ft.

- Option "E"** – 1/2" M/NPT inlet and outlet, with 1/2" M/NPT injection fitting
  - 1/2" M/NPT injector • 1/2" M/NPT foot valve
- Option "F"** – 1/2" F/NPT inlet and outlet, with 1/2" M/NPT injection fitting
  - 1/2" M/NPT injector • 1/2" M/NPT foot valve
- Mounting hardware kit
- Junction box connectors
- USB Drive (Operating manual)

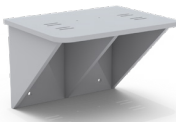


# Model Number Matrix


## Model Number

<b>C2</b>	Diaphragm metering pump								
<b>Series</b>									
<b>F</b>	Single manual output control (manual/local control only)								
<b>V</b>	Multiple automatic input output control and alarm modes (remote control)								
<b>Input Voltage</b>									
<b>4</b>	115V / 60Hz, power cord NEMA 5/15 plug (US)				<b>8</b>	240V / 50HZ, power cord AS 3112 plug (AU/New Zealand)			
<b>5</b>	230V / 60Hz, power cord NEMA 6/15 plug (US)				<b>9</b>	230V / 50HZ, power cord BS 1363 plug (UK)			
<b>6</b>	220V / 50HZ, power cord CEE 7/VI plug (EU)								
<b>CAM Stroke Length and Diaphragm Size</b>									
<b>1</b>	.060" (1.52 mm) stroke with small diaphragm   .10–10 GPH   175 PSI								
<b>2</b>	.060" (1.52 mm) stroke with large diaphragm   .165–16.5 GPH   175 PSI								
<b>3</b>	.040" (1.02 mm) stroke with small diaphragm   .067–6.7 GPH   175 PSI								
<b>5</b>	.040" (1.02 mm) stroke with Micro-Feed   .02–2.3 GPH   150 PSI								
<b>6</b>	.060" (1.52 mm) stroke with Micro-Feed   .04–4.0 GPH   150 PSI								
<b>Electrical Options</b>									
<b>X</b>	Standard equipment								
<b>Elastomer Material (o-rings)</b>									
<b>V</b>	TFE/P				<b>E</b>	EP (Ethylene Propylene)			
<b>Fitting Connection Types</b>									
<b>A</b>	1/2" Hose Barb Inlet, 1/2" Male NPT Outlet, with 1/2" Male NPT Injection Fitting								
<b>B</b>	1/2" Hose Barb Inlet, 1/2" Female NPT Outlet, with 1/2" Male NPT Injection Fitting								
<b>C</b>	1/2" Hose Barb Inlet and Outlet, with 1/2" ID Hose Barb Injection Fitting								
<b>D</b>	3/8" OD Tube Compression Inlet, Outlet, and Injection Fitting								
<b>E</b>	1/2" Male NPT Inlet and Outlet, with 1/2" Male NPT Injection Fitting								
<b>F</b>	1/2" Female NPT Inlet and Outlet, with 1/2" Male NPT Injection Fitting								
<b>Miscellaneous Options</b> (leave blank for standard model)									
<b>S</b>	Flex-A-Prene® Diaphragms (Caustic Soda resistant diaphragms)								
<b>C2</b>	<b>F</b>	<b>2</b>	<b>4</b>	<b>1</b>	<b>X</b>	<b>V</b>	<b>A</b>	<b>S</b>	<b>Sample Model Number</b>


## Accessories



**KIT-PSM**  
Wall Mount Bracket, HDPE



**71000-555**  
PVDF INJECTOR, 1/4" ID tubing  
**71000-579**  
PVDF INJECTOR, 1/2" Hose Barb  
**71000-577**  
PVDF INJECTOR, 1/2" MNPT



**C-334-6-10**  
Suction Tubing, Clear PVC 1/4"x 3/8", 10 ft  
**C-335-6-25**  
Discharge Tubing, PE, 1/4" x 3/8", 25 ft  
**76001-361**  
Suction Tubing, Clear PVC, 1/2" ID, 8ft  
**90008-437**  
Discharge Tubing, Braided PVC, 1/2" ID

**Ball Check Cartridge Options**

**20000-228**  
Ball Check Cart. Hastelloy Balls  
**20000-229**  
Ball Check Cart. PTFE Balls  
**70001-409 (2 req.)**  
Ball Check Cart., Single Ceramic Ball with Hastelloy Spring

Visit Accessory Pages for More Options

# C3

## CHEM-FEED® Diaphragm Metering Pump



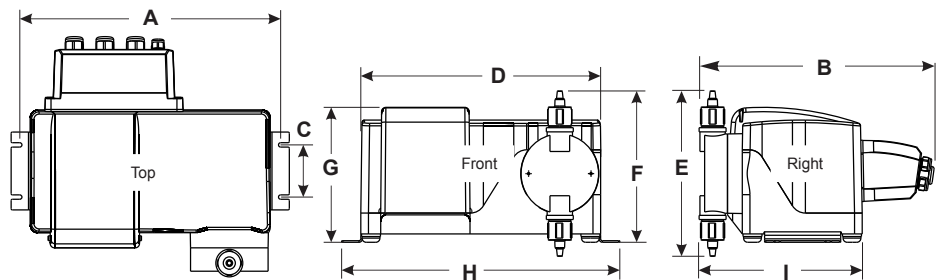
- > Built-in leak detection (DFD) senses diaphragm failure
- > Exclusive Patented DiaFlex® diaphragm
- > Signal inputs include: 4-20mA ("V" Model), pulse inputs ("V" Model), and Remote start/stop
- > Signal outputs include: Relay (3 amp) and 4-20mA ("V" Model)

### Highlights

<b>Flow range</b>	<b>Pressures up to</b>	<b>Turndown ratio</b>	<b>Suction lift</b>
.262 - 40.6 GPH .99 - 154 LPH	150 PSI (10.3 bar)	100 : 1	15 ft. Water, 0 psig (4.5 m, 0 bar)
<b>Exclusive</b>	<b>Motor</b>	<b>Weight</b>	<b>Warranty</b>
Diaphragm Failure Detection (DFD)	Brushed DC	31 lb. (14.06 Kg)	2 Years

### Dimensions

Dim	Inch	cm	Dim	Inch	cm
A	14.1"	35.8	F	7.8"	19.8
B	12"	30.5	G	6.5"	16.5
C	2.5"	6.4	H	15"	38.1
D	13.1"	33.3	I	8"	20.3
E	9"	22.9			



**NOTE:** Optional Extended Bracket adds 4.5" (11.43cm) to overall height (dimension F and G).

### What's in the box

- C2 Diaphragm Metering Pump
- Discharge injection fitting with check valve
- Option "A","B"** – ½" ID x ¾" OD tubing pump head
  - ½" M/NPT injector • ½" hose barb foot valve
  - Tubing and hose clamp
- Option "C"** – ½" ID x ¾" OD tubing pump head
  - ½" hose barb injector • ½" hose barb foot valve
  - Tubing and hose clamp

- Option "E"** – ½" M/NPT inlet and outlet, with ½" M/NPT injection fitting
  - ½" M/NPT injector • ½" M/NPT foot valve
- Option "F"** – ½" F/NPT inlet and outlet, with ½" M/NPT injection fitting
  - ½" M/NPT injector • ½" M/NPT foot valve
- Mounting hardware kit
- Junction box connectors
- USB Drive (Operating manual)



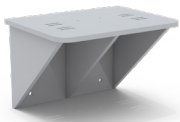




# Model Number Matrix

## Model Number

<b>C3</b>	Diaphragm metering pump								
<b>Series</b>									
<b>F</b>	Single manual output control (manual/local control only)								
<b>V</b>	Multiple automatic input/output control and alarm modes (remote control)								
<b>Input Voltage</b>									
<b>4</b>	115V / 60Hz, power cord NEMA 5/15 plug (US)				<b>8</b>	240V / 50HZ, power cord AS 3112 plug (AU/New Zealand)			
<b>5</b>	230V / 60Hz, power cord NEMA 6/15 plug (US)				<b>9</b>	230V / 50HZ, power cord BS 1363 plug (UK)			
<b>6</b>	220V / 50HZ, power cord CEE 7/VI plug (EU)								
<b>CAM Stroke Length and Diaphragm Size</b>									
<b>1</b>	.060" (1.52 mm) stroke with small diaphragm   .262–26.2 GPH   150 PSI								
<b>2</b>	.100" (2.54 mm) stroke with large diaphragm   .406–40.6 GPH   100 PSI								
<b>Electrical Options</b>									
<b>X</b>	Standard equipment with "F" Series								
<b>A</b>	Standard equipment with "V" Series - includes 4-20ma output								
<b>Elastomer Material (o-rings)</b>									
<b>V</b>	TFE/P				<b>E</b>	EP (Ethylene Propylene)			
<b>Fitting Connection Types</b>									
<b>A</b>	1/2" Hose Barb Inlet, 1/2" Male NPT Outlet, with 1/2" Male NPT Injection Fitting								
<b>B</b>	1/2" Hose Barb Inlet, 1/2" Female NPT Outlet, with 1/2" Male NPT Injection Fitting								
<b>C</b>	1/2" Hose Barb Inlet and Outlet, with 1/2" ID Hose Barb Injection Fitting								
<b>E</b>	1/2" Male NPT Inlet and Outlet, with 1/2" Male NPT Injection Fitting								
<b>F</b>	1/2" Female NPT Inlet and Outlet, with 1/2" Male NPT Injection Fitting								
<b>Miscellaneous Options</b> (leave blank for standard model)									
<b>S</b>	Flex-A-Prene® Diaphragms (Caustic Soda resistant diaphragms)								
<b>C3</b>	<b>F</b>	<b>2</b>	<b>4</b>	<b>1</b>	<b>X</b>	<b>V</b>	<b>A</b>	<b>S</b>	<b>Sample Model Number</b>

## Accessories

 <p><b>KIT-PSM</b> Wall Mount Bracket, HDPE</p>	 <p><b>71000-555</b> PVDF INJECTOR, 1/4" ID tubing <b>71000-579</b> PVDF INJECTOR, 1/2" Hose Barb <b>71000-577</b> PVDF INJECTOR, 1/2" MNPT</p>	 <p><b>C-334-6-10</b> Suction Tubing, Clear PVC 1/4"x 3/8", 10 ft <b>C-335-6-25</b> Discharge Tubing, PE, 1/4" x 3/8", 25 ft <b>76001-361</b> Suction Tubing, Clear PVC, 1/2" ID, 8ft <b>90008-437</b> Discharge Tubing, Braided PVC, 1/2" ID</p>	<p><b>Ball Check Cartridge Options</b></p> <p><b>20000-228</b> Ball Check Cart. Hastelloy Balls <b>20000-229</b> Ball Check Cart. PTFE Balls <b>70001-409 (2 req.)</b> Ball Check Cart., Single Ceramic Ball with Hastelloy Spring</p>
--	--	---	--

Visit Accessory Pages for More Options

# C-600P

## CHEM-FEED® Diaphragm Metering Pump



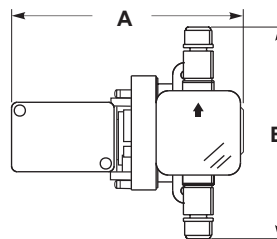
- > All ball bearing, permanently lubricated gear motor
- > Double-ball inlet and outlet cartridge type ceramic check valves
- > Stroke adjustment from 4-100%
- > Fixed speed
- > Mechanical Cam
- > Output Adjustment

### Highlights

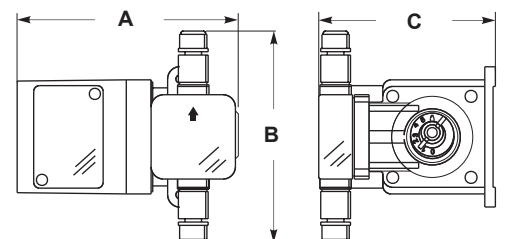
<b>Outputs</b>	<b>Pressures up to</b>	<b>Turndown ratio</b>	<b>Max. fluid temp.</b>
1 - 21.5 GPH 4 - 81.4 LPH	125 PSI (8.6 bar)	27 : 1	130 °F (54 °C)
<b>Max. suction lift</b>	<b>Motor</b>	<b>Weight</b>	<b>Warranty</b>
10 ft. Water 0 psig	AC Shaded Pole	8 lb. (3.63 Kg)	1 Year

### Dimensions

Dim	DC Powered Models		AC Powered Models	
	Inch	cm	Inch	cm
<b>A</b>	7.22"	18.3	10.25"	26
<b>B</b>	6.25"	15.9	7.5"	19
<b>C</b>	5.31"	13.5	14"	35.6



DC Powered Models



AC Powered Models

### What's in the box

- C-600P Diaphragm Metering Pump
- Discharge injection fitting with check valve
- Suction tube – clear PVC – 5' length (3/8" OD, 1/4" ID)
- Suction foot valve / strainer
- Suction ceramic weight
- Discharge tube – opaque polyethylene – 5' length (3/8" OD, 1/4" ID)
- Instruction manual



# Model Number Matrix

## Model Number

<b>C-6</b>	CHEM-FEED® Diaphragm Model Number				
<b>Maximum Motor RPM*</b>					
<b>14</b>	14 RPM	<b>60</b>	60 RPM		
<b>30</b>	30 RPM	<b>125</b>	125 RPM		
<b>45</b>	45 RPM	<b>250</b>	250 RPM		
<b>Power Supply Voltage</b>					
<b>115VAC</b>	115V60Hz	<b>24VAC</b>	24V60Hz		
<b>220VAC</b>	220V50Hz (20% less output)	<b>12VDC</b>	12V DC		
<b>230VAC</b>	230V60Hz	<b>24VDC</b>	24V DC		
<b>C-6</b>	<b>14</b>	<b>P</b>	<b>-</b>	<b>115VAC</b>	Sample Model Number

**Optional Accessories and Components**  
 70000-193 PTFE coated FKM diaphragm  
 90010-110 Power Cord with Plug, 115V  
 K-568A-4 Bullet Valve (Double Ball), Aflas - 4 Pack  
 K-568E-4 Bullet Valve (Double Ball), EP - 4 pack

## Output Specifications

### DC powered models

Maximum Output at 0 PSI					
Strokes/Min RPM	Max PSI	GPD	GPH	LPH	OZ/MIN
14	125	33	1.4	5.3	2.9
30	125	74	3.1	11.7	6.5
45	80	112	4.7	17.8	10.0
60	60	148	6.2	23.5	13.2
125	30	316	13.2	49.9	28.1
250	10	516	21.5	81.4	45.8

### AC powered models

Maximum Output at 0 PSI					
Strokes/Min RPM	Max PSI	GPD	GPH	LPH	OZ/MIN
14	125	24	1.0	3.8	2.7
30	125	58	2.4	9.3	5.2
45	80	91	3.8	14.9	8.1
60	60	110	4.6	17.4	9.8
125	30	237	9.9	37.0	21.1
250	10	389	16.2	61.4	34.6

# C-600HV

## CHEM-FEED® Diaphragm Metering Pump



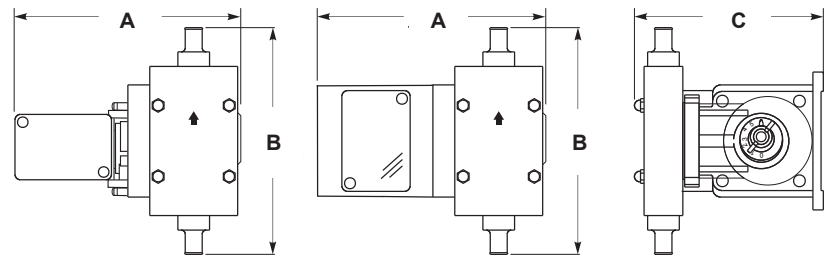
- > All ball bearing, permanently lubricated gear motor
- > High Volume Diaphragm Pump
- > Stroke adjustment from 4-100%
- > Fixed speed
- > Mechanical Cam
- > Output Adjustment

### Highlights

<b>Outputs</b>	<b>Pressures up to</b>	<b>Turndown ratio</b>	<b>Max. fluid temp.</b>
1.74 - 47.1 GPH 6.6 - 178.3 LPH	20 PSI (1.4 bar)	27 : 1	130 °F (54 °C)
<b>Max. suction lift</b>	<b>Motor</b>	<b>Weight</b>	<b>Warranty</b>
10 ft. Water 0 psig	AC Shaded Pole	8 lb. (3.63 Kg)	1 Year

### Dimensions

Dim	DC Powered Models		AC Powered Models	
	Inch	cm	Inch	cm
A	7.22"	18.3	6.75"	17.15
B	7"	17.78	7"	17.78
C	6.13"	15.5	6.13"	15.55



DC Powered Models

AC Powered Models

### What's in the box

- C-600HV Diaphragm Metering Pump
- Discharge injection fitting with check valve
- Suction tube – clear PVC – 5' length (3/8" OD, 1/4" ID)
- Suction foot valve / strainer
- Suction ceramic weight
- Discharge tube – opaque polyethylene – 5' length (3/8" OD, 1/4" ID)
- Instruction manual



# Model Number Matrix

## Model Number

<b>C-6</b>	CHEM-FEED® High Volume (HV) Diaphragm Model Number					
<b>Maximum Motor RPM*</b>						
<b>60</b>	60 RPM					
<b>125</b>	125 RPM					
<b>250</b>	250 RPM					
<b>Power Supply Voltage</b>						
<b>115VAC</b>	115V60Hz			<b>240VAC</b>	240V60Hz	
<b>220VAC</b>	220V50Hz (20% less output)			<b>12VDC</b>	12V DC	
<b>230VAC</b>	230V60Hz			<b>24VDC</b>	24V DC	
<b>C-6</b>	<b>60</b>	<b>HV</b>	<b>115VAC</b>	<b>Sample Model Number</b>		

NOTE: See the output specifications below.

**Optional Accessories and Components**

- C-3106NV FKM Diaphragm
- F-5012V FKM O-ring (2 req.)
- C-926V FKM Check (2 reqd.)
- 90010-110 Power Cord with Plug, 115V

## Output Specifications

### AC powered models

Strokes/Min RPM	Maximum Output at 0 PSI				
	Max PSI	GPD	GPH	LPH	OZ/MIN
60	20	268	11.2	42.4	23.8
125	10	568	23.7	89.7	50.5
250	5	1,129	47.1	178.3	100.4

### DC powered models

Strokes/Min RPM	Maximum Output at 0 PSI				
	Max PSI	GPD	GPH	LPH	OZ/MIN
60	20	189	7.8	29.5	16.8
125	10	398	16.5	32.4	35.3
250	5	791	32.9	124.5	70.3

NOTE: For optimum diaphragm life, specify the pump to operate at the lowest possible RPM and pressure.

# C-1500N

## CHEM-FEED® Diaphragm Metering Pump



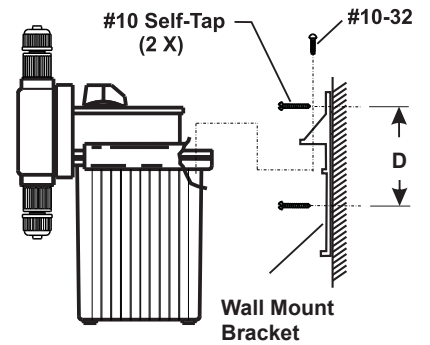
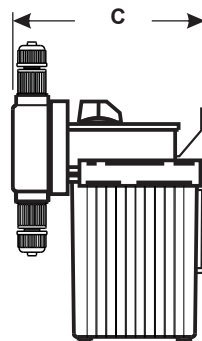
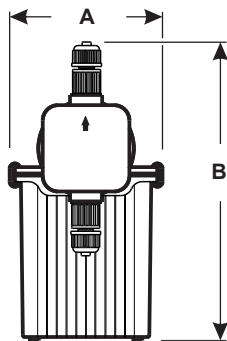
- > All ball bearing, permanently lubricated gear motor
- > Standard Models feature a mechanical stroke length control
- > Efficient design allows for a minimum stroke length of 5%

### Highlights

<b>Outputs</b>	<b>Pressures up to</b>	<b>Turndown ratio</b>	<b>Max. fluid temp.</b>
.2 - 9.5 GPH .5 - 36 LPH	125 PSI (8.6 bar)	20 : 1	130 °F (54 °C)
<b>Max. suction lift</b>	<b>Motor</b>	<b>Weight</b>	<b>Warranty</b>
10 ft. Water 0 psig	AC Shaded Pole	8 lb. (3.18 Kg)	1 Year

### Dimensions

Dim	Inch	cm
A	4.5"	11.43
B	9.06"	23.01
C	5.75"	14.61
D	2.3"	5.84



### What's in the box

- C-1500N Diaphragm Metering Pump
- Discharge injection fitting with check valve
- Suction tube – clear PVC – 5' length (3/8" OD, 1/4" ID)
- Flow indicator
- Suction foot valve / strainer
- Suction ceramic weight
- Discharge tube – opaque polyethylene – 5' length (3/8" OD, 1/4" ID)
- Wall mount bracket
- Instruction manual





# DIAPHRAGM PUMP WARRANTY

## LIMITED WARRANTY

Your Blue-White product is a quality product and is warranted for a specific time from date of purchase (proof of purchase is required). The product will be repaired or replaced at our discretion. Failure must have occurred due to defect in material or workmanship and not as a result of operation of the product other than in normal operation as defined in the product manual. Warranty status is determined by the product's serial label and the sales invoice or receipt. The serial label must be on the product and legible. The warranty status of the product will be verified by Blue-White or a factory authorized service center.

CHEM-FEED® C2, C3, CD1 and CD3 pumps are warranted for 2 years from date of purchase (proof of purchase is required). CHEM-FEED®, C-600 and C-1500 Pumps are warranted for 1 year from date of purchase (proof of purchase is required). Pumps will be repaired or replaced at our discretion.

DIAFLEX® diaphragms are warranted for the life of the pump. Blue-White will replace a damaged diaphragm at no cost to the customer provided the pump was at all times operated within the guidelines included in the pump's operation manual. This warranty only applies to DIAFLEX® diaphragms, not the pumps themselves. Blue-White pumps are separately covered by warranties specific to them.

## WHAT IS NOT COVERED

- Rubber components and wear components. They are perishable and require periodic replacement.
- Pump removal, or re-installation, and any related labor charge.
- Freight to the factory, or service center.
- Products that have been tampered with, or in pieces.
- Damage resulting from misuse, carelessness such as chemical spills on the enclosure, abuse, lack of maintenance, or alteration which is out of our control.
- Damage by faulty wiring, power surges or acts of nature.

BLUE-WHITE does not assume responsibility for any loss, damage, or expense directly or indirectly related to or arising out of the use of its products. Failure must have occurred due to defect in material or workmanship and not as a result of operation of the product other than in normal operation as defined in the pump manual.

Warranty status is determined by the pump's serial label and the sales invoice or receipt. The serial label must be on the pump and legible. The warranty status of the pump will be verified by Blue-White or a factory authorized service center.

## PROCEDURE FOR IN WARRANTY REPAIR

Warranty service must be performed by the factory or an authorized service center. Contact the factory or local repair center to obtain a RMA (Return Material Authorization) number. It is recommended to include foot strainer and injection/check valve fitting since these devices may be clogged and part of the problem. Decontaminate, dry, and carefully pack the product to be repaired. Please enclose a brief description of the problem and proof of purchase. Prepay all shipping and insurance cost. COD shipments will not be accepted. Damage caused by improper packaging is the responsibility of the sender. When In-Warranty repair is completed, the factory pays for return shipping to the dealer or customer.

## PRODUCT USE WARNING

Blue-White products are manufactured to meet the highest quality standards in the industry. Each product instruction manual includes a description of the associated product warranty and provides the user with important safety information. Purchasers, installers, and operators of Blue-White products should take the time to inform themselves about the safe operation of these products. In addition, Customers are expected to do their own due diligence regarding which products and materials are best suited for their intended applications. BLUE-WHITE is pleased to assist in this effort but does not guarantee the suitability of any particular product for any specific application as Blue-White does not have the same degree of familiarity with the application that the customer/end user has. While BLUE-WHITE will honor all of its product warranties according to their terms and conditions, Blue-White shall only be obligated to repair or replace its defective parts or products in accordance with the associated product warranties.

**BLUE-WHITE SHALL NOT BE LIABLE EITHER IN TORT OR IN CONTRACT FOR ANY LOSS OR DAMAGE WHETHER DIRECT, INDIRECT, INCIDENTAL, OR CONSEQUENTIAL, ARISING OUT OF OR RELATED TO THE FAILURE OF ANY OF ITS PARTS OR PRODUCTS OR OF THEIR NONSUITABILITY FOR A GIVEN PURPOSE OR APPLICATION.**

## CHEMICAL RESISTANCE WARNING

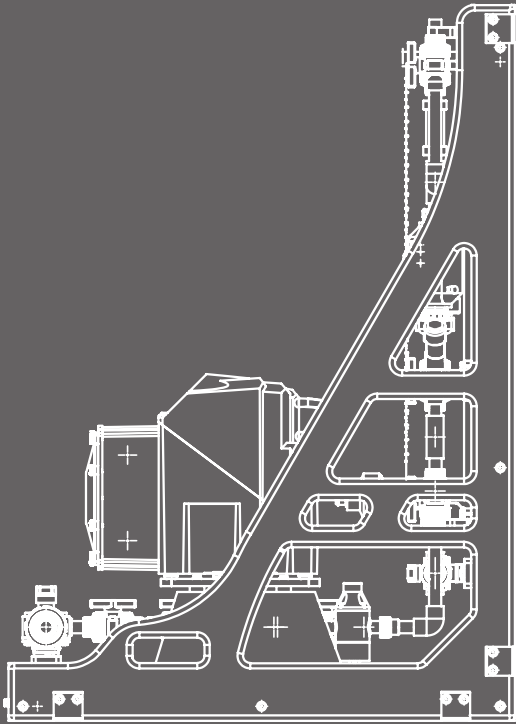
BLUE-WHITE offers a wide variety of wetted parts. Purchasers, installers, and operators of Blue-White products must be well informed and aware of the precautions to be taken when injecting or measuring various chemicals, especially those considered to be irritants, contaminants or hazardous. Customers are expected to do their own due diligence regarding which products and materials are best suited for their applications, particularly as it may relate to the potential effects of certain chemicals on Blue-White products and the potential for adverse chemical interactions. Blue-White tests its products with water only. The chemical resistance information included in this instruction manual was supplied to BLUE-WHITE by reputable sources, but Blue-White is not able to vouch for the accuracy or completeness thereof. While BLUE-WHITE will honor all of its product warranties according to their terms and conditions, Blue-White shall only be obligated to repair or replace its defective parts or products in accordance with the associated product warranties.

**BLUE-WHITE SHALL NOT BE LIABLE EITHER IN TORT OR IN CONTRACT FOR ANY LOSS OR DAMAGE, WHETHER DIRECT, INDIRECT, INCIDENTAL, OR CONSEQUENTIAL, ARISING OUT OF OR RELATED TO THE USE OF CHEMICALS IN CONNECTION WITH ANY BLUE-WHITE PRODUCTS.**

Users of electrical and electronic equipment (EEE) with the WEEE marking per Annex IV of the WEEE Directive must not dispose of end of life EEE as unsorted municipal waste, but use the collection framework available to them for the return, recycle, recovery of WEEE and minimize any potential effects of EEE on the environment and human health due to the presence of hazardous substances. The WEEE marking applies only to countries within the European Union (EU) and Norway. Appliances are labeled in accordance with European Directive 2002/96/EC. Contact your local waste recovery agency for a Designated Collection Facility in your area.



# INDUSTRIAL Skid Systems



**Blue-White**<sup>®</sup>

# CFPS-1

## CHEM-FEED® Plastic Simplex Skid System



- > Chemically resistant polyethylene structure
- > Leak free, threadless connections
- > Pressure Relief Valve protects the system from over-pressurization
- > Check Valve protects the user from back-flow during pump maintenance
- > Flow Indicator provides a visual indication of chemical movement

### Highlights

#### Piping

PVC Schedule 80  
(optional CPVC, PVDF,  
and Chem Proline®)

#### Pressures up to

150 PSI  
(10.3 bar)

#### Compatibility

A1,A2, A3, A4,  
C2, C3, CD1, CD3

#### Drip tray

2.22 Gal  
(8.4 L)

#### Frame material

Polyethylene

#### Mounting position

Floor or wall

#### Skid weight

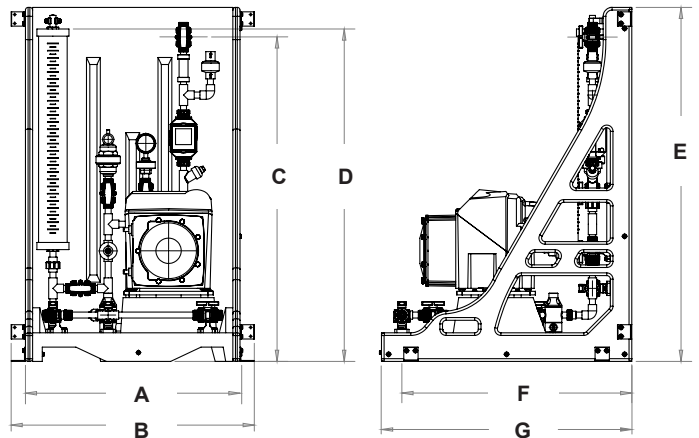
80 lb.  
(36 Kg)

#### Warranty

2 Years

### Dimensions

Dim	Inch	cm	Dim	Inch	cm
A	30.00"	76.20	E	49.50"	125.73
B	34.00"	86.36	F	32.15"	81.65
C	8.87"	22.54	G	35.00"	88.90
D	45.37"	115.24			



### What's in the box

- |                                |                            |
|--------------------------------|----------------------------|
| Pressure Relief Valve          | (Optional if ordered)      |
| Check Valve                    | -Calibration Cylinder      |
| Flow Indicator x1              | -Pulsation Dampener        |
| Inlet Y Strainer x1            | -Pressure Gauge with Guard |
| Inlet/outlet connection tubing | -Pressure Switch           |
| Wall/floor mount brackets      | -Back Pressure Valve       |
| USB Drive (Operating manual)   | -MS6 Chemical Flow meter   |
|                                | -Terminal Box              |
|                                | -Electrical Outlet Box     |



# Model Number Matrix

\*Consult factory for pricing

## CHEM-FEED® Simplex Skid System Matrix - Industrial

<b>CFPS-1</b>													Single pump system - PE structure																										
<b>Inlet/Outlet</b>																																							
<b>A</b>		Single Inlet / Single Outlet																																					
<b>X</b>		None, Skid Panel Only																																					
<b>Piping/Unions</b>																																							
<b>A</b>				<b>B</b>				<b>C</b>				<b>D</b>																											
PVC				CPVC				PVDF				Chem Proline®																											
<b>Seals</b>																																							
<b>V</b>				<b>E</b>																																			
FKM				EPDM																																			
<b>Tubing Connections</b>																																							
<b>A</b>				<b>B</b>				<b>C</b>				<b>D</b>																											
1/2" ID PVC Braided				1/2" ID PTFE				1/4" ID PE				1/4" ID PTFE																											
<b>Calibration Column</b>																																							
<b>A</b>				<b>B</b>				<b>C</b>				<b>D</b>				<b>E</b>				<b>F</b>				<b>P</b>				<b>Q</b>				<b>R</b>				<b>S</b>			
128 GPH (4000 ml) PVC				64 GPH (2000 ml) PVC				32 GPH (1000 ml) PVC				16 GPH (500 ml) PVC				8 GPH (250 ml) PVC				3 GPH (100 ml) PVC				32 GPH (1000 ml) Glass				16 GPH (500 ml) Glass				8 GPH (250 ml) Glass				3 GPH (100 ml) Glass			
<b>Pulsation Dampener</b>																																							
<b>P</b>				<b>X</b>																																			
10 cubic in				Not Included																																			
<b>Back Pressure Valve</b>																																							
<b>B</b>				<b>X</b>																																			
Included				Not Included																																			
<b>Pressure Gauge w/Guard</b>																																							
<b>A</b>				<b>B</b>				<b>C</b>																															
200 PSI				100 PSI				30 PSI																															
<b>Pressure Switch w/Guard</b>																																							
<b>S</b>				<b>X</b>																																			
Included				Not Included																																			
<b>Flow Meter w/Strainer</b>																																							
<b>A</b>				<b>B</b>																																			
10-5000 ml/m				100-10000 ml/m																																			
<b>X</b>		Not Included																																					
<b>Terminal Box</b>																																							
<b>T</b>				<b>X</b>																																			
Included				Not Included																																			
<b>Pumps</b>																																							
<b>P</b>				<b>X</b>																																			
Mounted				Not Included																																			
<b>Pump Model (purchased separately)</b>																																							
<b>-XX</b>				Specify Model used on Skid																																			
<b>CFPS-1</b>													<b>I</b>	<b>A</b>	<b>A</b>	<b>V</b>	<b>A</b>	<b>A</b>	<b>P</b>	<b>B</b>	<b>A</b>	<b>S</b>	<b>A</b>	<b>T</b>	<b>P</b>	<b>-A3SV24-MNGG</b>	<b>Sample Model Number</b>												

NOTE: When ordering pumps for skids, pump head orientation is standard LEFT facing only.

# CFPS-2

## CHEM-FEED® Plastic Duplex Skid System



- > Chemically resistant polyethylene structure
- > Leak free, threadless connections
- > Pressure Relief Valve protects the system from over-pressurization
- > Check Valve protects the user from back-flow during pump maintenance
- > Flow Indicator provides a visual indication of chemical movement

### Highlights

#### Piping

PVC Schedule 80  
(optional CPVC, PVDF,  
and Chem Proline®)

#### Pressures up to

150 PSI  
(10.3 bar)

#### Compatibility

A1,A2, A3, A4,  
C2, C3, CD1, CD3

#### Drip tray

2.3 Gal  
(11.4 L)

#### Frame material

Polyethylene

#### Mounting position

Floor or wall

#### Skid weight

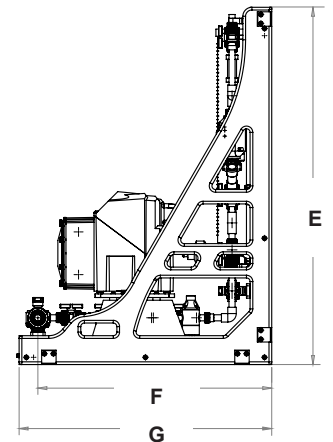
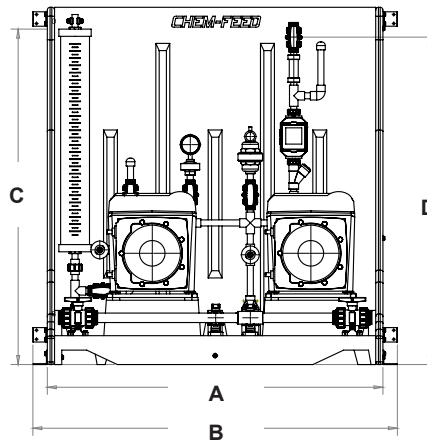
120 lb.  
(54 Kg)

#### Warranty

2 Years

### Dimensions

Dim	Inch	cm	Dim	Inch	cm
A	46.50"	118.11	E	49.50"	125.73
B	50.50"	128.27	F	32.40"	82.30
C	46.47"	118.04	G	35.00"	88.90
D	45.37"	115.24			



### What's in the box

- |                                |                            |
|--------------------------------|----------------------------|
| Pressure Relief Valve          | (Optional if ordered)      |
| Check Valve x2                 | Calibration Cylinder       |
| Flow Indicator x1              | -Pulsation Dampener        |
| Inlet Y Strainer x1            | -Pressure Gauge with Guard |
| Inlet/outlet connection tubing | -Pressure Switch           |
| Wall/floor mount brackets      | -Back Pressure Valve       |
| USB Drive (Operating manual)   | -MS6 Chemical Flow meter   |
|                                | -Terminal Box              |
|                                | -Electrical Outlet Box     |



# Model Number Matrix

\*Consult factory for pricing

## CHEM-FEED® Duplex Skid System Matrix - Industrial

<b>CFPS-2</b>														Dual pump system - PE structure																													
<b>Inlet/Outlet</b>																																											
<b>A</b>		Single Inlet / Single Outlet																																									
<b>B</b>		Single Inlet / Dual Outlet																																									
<b>X</b>		None, Skid Panel Only																																									
<b>Piping/Unions</b>																																											
<b>A</b>				<b>B</b>				<b>C</b>				<b>D</b>																															
PVC				CPVC				PVDF				Chem Proline®																															
<b>Seals</b>																																											
<b>V</b>				<b>E</b>																																							
FKM				EPDM																																							
<b>Tubing Connections</b>																																											
<b>A</b>				<b>B</b>				<b>C</b>				<b>D</b>																															
1/2" ID PVC Braided				1/2" ID PTFE				1/4" ID PE				1/4" ID PTFE																															
<b>Calibration Column</b>																																											
<b>A</b>				<b>F</b>																																							
128 GPH (4000 ml) PVC				3 GPH (100 ml) PVC																																							
<b>B</b>				<b>P</b>																																							
64 GPH (2000 ml) PVC				32 GPH (1000 ml) Glass																																							
<b>C</b>				<b>Q</b>																																							
32 GPH (1000 ml) PVC				16 GPH (500 ml) Glass																																							
<b>D</b>				<b>R</b>																																							
16 GPH (500 ml) PVC				8 GPH (250 ml) Glass																																							
<b>E</b>				<b>S</b>																																							
8 GPH (250 ml) PVC				3 GPH (100 ml) Glass																																							
<b>Pulsation Dampener</b>																																											
<b>P</b>				<b>X</b>																																							
10 cubic in				Not Included																																							
<b>Back Pressure Valve</b>																																											
<b>B</b>				<b>X</b>																																							
Included				Not Included																																							
<b>Pressure Gauge w/Guard</b>																																											
<b>A</b>				<b>B</b>				<b>C</b>																																			
200 PSI				100 PSI				30 PSI																																			
<b>Pressure Switch w/Guard</b>																																											
<b>S</b>				<b>X</b>																																							
Included				Not Included																																							
<b>Flow Meter w/Strainer</b>																																											
<b>A</b>				<b>B</b>																																							
10-5000 ml/m				100-10000 ml/m																																							
<b>X</b>																																											
Not Included																																											
<b>Terminal Box</b>																																											
<b>T</b>				<b>X</b>																																							
Included				Not Included																																							
<b>Pumps</b>																																											
<b>P</b>				<b>X</b>																																							
Mounted				Not Included																																							
<b>Pump Model (Purchased separately)</b>																																											
<b>-XX</b>				Specify Model used on Skid *																																							
<b>CFPS-2</b>														<b>I</b>		<b>A</b>		<b>A</b>		<b>V</b>		<b>A</b>		<b>A</b>		<b>P</b>		<b>B</b>		<b>A</b>		<b>S</b>		<b>A</b>		<b>T</b>		<b>P</b>		<b>-A3SV24-BNGG</b>		<b>Sample Model Number</b>	

NOTE: When ordering pumps for skids, pump head orientation is standard LEFT facing only.

# CFPS-3

## CHEM-FEED® Plastic Triplex Skid System



- > Chemically resistant polyethylene structure
- > Leak free, threadless connections
- > Pressure Relief Valve protects the system from over-pressurization
- > Check Valve protects the user from back-flow during pump maintenance
- > Flow Indicator provides a visual indication of chemical movement

### Highlights

#### Piping

PVC Schedule 80  
(optional CPVC, PVDF,  
and Chem Proline®)

#### Pressures up to

150 PSI  
(10.3 bar)

#### Compatibility

A1,A2, A3, A4,  
C2, C3, CD1, CD3

#### Drip tray

2.74 Gal  
(12.46 L)

#### Frame material

Polyethylene

#### Mounting position

Floor Only

#### Skid weight

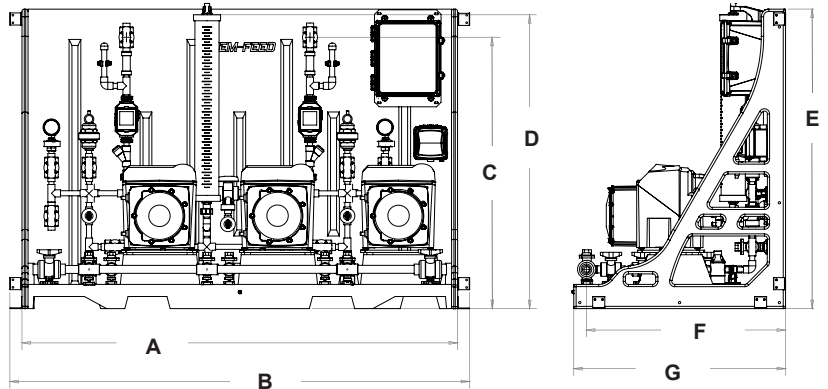
200 lb.  
(91 Kg)

#### Warranty

2 Years

### Dimensions

Dim	Inch	cm	Dim	Inch	cm
A	72.00"	182.88	E	49.50"	125.73
B	76.00"	193.04	F	32.91"	83.59
C	44.85"	113.92	G	35.00"	88.90
D	48.57"	123.37			



### What's in the box

- |                                |                            |
|--------------------------------|----------------------------|
| Pressure Relief Valve x2       | (Optional if ordered)      |
| Check Valve x2                 | Calibration Cylinder       |
| Flow Indicator x2              | -Pulsation Dampener        |
| Inlet Y Strainer x3            | -Pressure Gauge with Guard |
| Inlet/outlet connection tubing | -Pressure Switch           |
| Wall/floor mount brackets      | -Back Pressure Valve       |
| USB Drive (Operating manual)   | -MS6 Chemical Flow meter   |
|                                | -Terminal Box              |
|                                | -Electrical Outlet Box     |



# Model Number Matrix

## CHEM-FEED® Triplex Skid System Matrix - Industrial

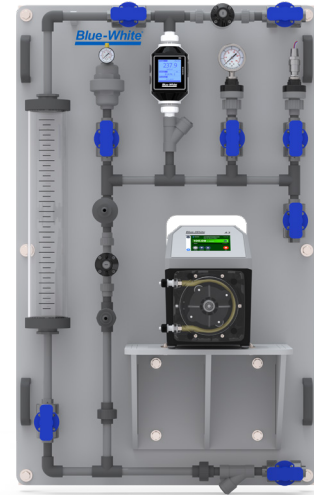
<b>CFPS-3</b>	Triplex pump system - PE structure														
<b>Inlet/Outlet</b>															
<b>A</b>	Single Inlet / Dual Outlet														
<b>B</b>	Single Inlet / Triple Outlet														
<b>X</b>	None, Skid Panel Only														
<b>Piping/Unions</b>															
<b>A</b>	PVC	<b>B</b>	CPVC	<b>C</b>	PVDF	<b>D</b>	Chem Proline®								
<b>Seals</b>															
<b>V</b>	FKM	<b>E</b>	EPDM												
<b>Tubing Connections</b>															
<b>A</b>	1/2" ID PVC Braided	<b>B</b>	1/2" ID PTFE	<b>C</b>	1/4" ID PE	<b>D</b>	1/4" ID PTFE								
<b>Calibration Column</b>															
<b>A</b>	128 GPH (4000 ml) PVC				<b>F</b>	3 GPH (100 ml) PVC									
<b>B</b>	64 GPH (2000 ml) PVC				<b>P</b>	32 GPH (1000 ml) Glass									
<b>C</b>	32 GPH (1000 ml) PVC				<b>Q</b>	16 GPH (500 ml) Glass									
<b>D</b>	16 GPH (500 ml) PVC				<b>R</b>	8 GPH (250 ml) Glass									
<b>E</b>	8 GPH (250 ml) PVC				<b>S</b>	3 GPH (100 ml) Glass									
<b>Pulsation Dampener (Two dampeners provided)</b>															
<b>P</b>	10 cubic in				<b>X</b>	Not Included									
<b>Back Pressure Valve</b>															
<b>B</b>	Included				<b>X</b>	Not Included									
<b>Pressure Gauge w/Guard</b>															
<b>A</b>	200 PSI			<b>B</b>	100 PSI			<b>C</b>	30 PSI						
<b>Pressure Switch w/Guard</b>															
<b>S</b>	Included				<b>X</b>	Not Included									
<b>Flow Meter w/Strainer</b>															
<b>A</b>	10-5000 ml/m				<b>B</b>	100-10000 ml/m									
<b>X</b>	Not Included														
<b>Terminal Box</b>															
<b>T</b>	Included				<b>X</b>	Not Included									
<b>Pumps</b>															
<b>P</b>	Mounted				<b>X</b>	Not Included									
<b>Pump Model (Purchased separately)</b>															
<b>-XX</b>	Specify Model used on Skid *														
<b>CFPS-3</b>	<b>I</b>	<b>A</b>	<b>A</b>	<b>V</b>	<b>A</b>	<b>A</b>	<b>P</b>	<b>B</b>	<b>A</b>	<b>S</b>	<b>A</b>	<b>T</b>	<b>P</b>	<b>-A3SV24-MNGG</b>	<b>Sample Model Number</b>

**NOTE:** When ordering pumps for skids, pump head orientation is standard LEFT facing only.

# CFWS-1

## CHEM-FEED® Wall Mount Simplex Skid System

- > Chemically resistant polyethylene structure
- > Leak free, threadless connections
- > Pressure Relief Valve protects the system from over-pressurization
- > Check Valve protects the user from back-flow during pump maintenance
- > Flow Indicator provides a visual indication of chemical movement



### Highlights

#### Piping

PVC Schedule 80  
(optional CPVC, PVDF,  
and Chem Proline®)

#### Pressures up to

150 PSI  
(10.3 bar)

#### Compatibility

A1,A2, A3, A4,  
C2, C3, CD1, CD3

#### Pump Shelf

Polyethylene

#### Frame material

Polyethylene

#### Mounting position

Wall

#### Skid weight

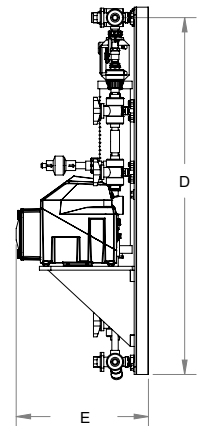
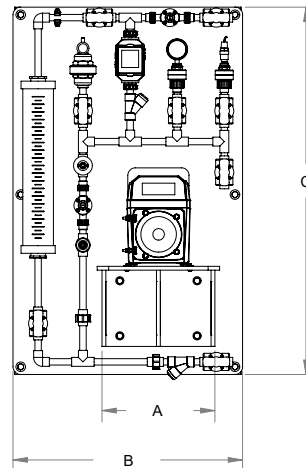
45 lb.  
(20 Kg)

#### Warranty

2 Years

### Dimensions

Dim	Inch	cm	Dim	Inch	cm
A	14.75"	37.5	D	46.63"	118.4
B	30.00"	76.2	E	17.29"	43.9
C	48.00"	121.9			



### What's in the box

- |                                |                            |
|--------------------------------|----------------------------|
| Pressure Relief Valve          | (Optional if ordered)      |
| Check Valve                    | -Calibration Cylinder      |
| Inlet Y Strainer x1            | -Pulsation Dampener        |
| Inlet/outlet connection tubing | -Pressure Gauge with Guard |
| Wall mount brackets            | -Pressure Switch           |
| USB Drive (Operating manual)   | -Back Pressure Valve       |
|                                | -MS6 Chemical Flow meter   |
|                                | -Terminal Box              |
|                                | -Electrical Outlet Box     |





# Model Number Matrix

\*Consult factory for pricing

CFWS-1

## CHEM-FEED® Simplex Wall Skid System Matrix - Industrial

**CFWS-1** Single pump system - single chemical / single outlet, PE structure

### Inlet/Outlet

<b>A</b>	Single Inlet / Single Outlet
<b>X</b>	None, Skid Panel Only

### Piping/Unions

<b>A</b>	PVC	<b>C</b>	PVDF
<b>B</b>	CPVC	<b>D</b>	CHEM PROLINE®

### Seals

<b>V</b>	FKM	<b>E</b>	EPDM
----------	-----	----------	------

### Tubing Connections

<b>A</b>	1/2" ID PVC Braided	<b>C</b>	1/4" ID PE
<b>B</b>	1/2" ID PTFE	<b>D</b>	1/4" ID PTFE

### Calibration Column

<b>A</b>	128 GPH (4000 ml) PVC	<b>F</b>	3 GPH (100 ml) PVC
<b>B</b>	64 GPH (2000 ml) PVC	<b>P</b>	32 GPH (1000 ml) Glass
<b>C</b>	32 GPH (1000 ml)PVC	<b>Q</b>	16 GPH (500 ml) Glass
<b>D</b>	16 GPH (500 ml) PVC	<b>R</b>	8 GPH (250 ml) Glass
<b>E</b>	8 GPH (250 ml) PVC	<b>S</b>	3 GPH (100 ml) Glass

### Pulsation Dampener

<b>P</b>	10 cubic in	<b>X</b>	Not Included
----------	-------------	----------	--------------

### Back Pressure Valve

<b>B</b>	Included	<b>X</b>	Not Included
----------	----------	----------	--------------

### Pressure Gauge w/Guard

<b>A</b>	200 PSI	<b>B</b>	100 PSI	<b>C</b>	30 PSI
----------	---------	----------	---------	----------	--------

### Pressure Switch w/Guard

<b>S</b>	Included	<b>X</b>	Not Included
----------	----------	----------	--------------

### Flow Meter w/Strainer

<b>A</b>	10-5000 mL/min
<b>B</b>	100-10000 mL/min
<b>X</b>	Not Included

<b>CFWS-1</b>	<b>I</b>	<b>A</b>	<b>A</b>	<b>V</b>	<b>A</b>	<b>A</b>	<b>P</b>	<b>B</b>	<b>A</b>	<b>S</b>	<b>A</b>	<b>X</b>	<b>X</b>	<b>Sample Model Number</b>
---------------	----------	----------	----------	----------	----------	----------	----------	----------	----------	----------	----------	----------	----------	----------------------------

**NOTES:** When ordering pumps for skids, pump head orientation is standard LEFT facing only. Terminal Boxes quoted and mounted separately. All skids are pressure tested prior to shipment. Pumps are purchased and shipped separately

# CFWS-2

## CHEM-FEED® Wall Mount Duplex Skid System

- > Chemically resistant polyethylene structure
- > Leak free, threadless connections
- > Pressure Relief Valve protects the system from over-pressurization
- > Check Valve protects the user from back-flow during pump maintenance
- > Flow Indicator provides a visual indication of chemical movement



### Highlights

#### Piping

PVC Schedule 80  
(optional CPVC, PVDF,  
and Chem Proline®)

#### Pressures up to

150 PSI  
(10.3 bar)

#### Compatibility

A1,A2, A3, A4,  
C2, C3, CD1, CD3

#### Pump Shelf

Polyethylene

#### Frame material

Polyethylene

#### Mounting position

Wall

#### Skid weight

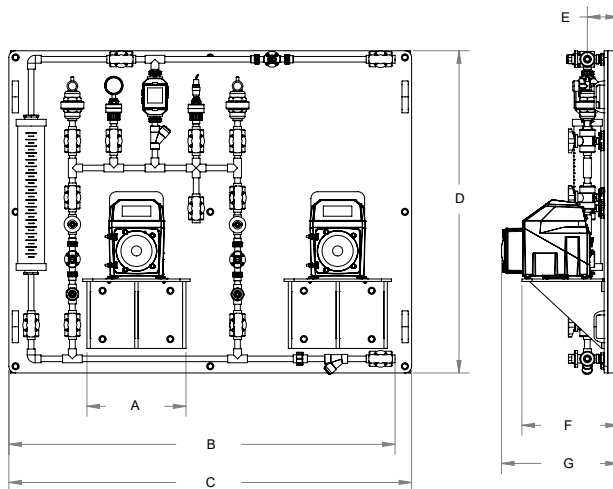
80 lb.  
(36 Kg)

#### Warranty

2 Years

### Dimensions

Dim	Inch	cm	Dim	Inch	cm
A	14.75"	37.5	E	4.63"	117.0
B	57.53"	146.1	F	14.38"	36.5
C	60.00"	152.4	G	17.41"	44.2
D	48.00"	121.9			



### What's in the box

- |                                |                            |
|--------------------------------|----------------------------|
| Pressure Relief Valve          | (Optional if ordered)      |
| Check Valve                    | -Calibration Cylinder      |
| Inlet Y Strainer x1            | -Pulsation Dampener        |
| Inlet/outlet connection tubing | -Pressure Gauge with Guard |
| Wall mount brackets            | -Pressure Switch           |
| USB Drive (Operating manual)   | -Back Pressure Valve       |
|                                | -MS6 Chemical Flow meter   |
|                                | -Terminal Box              |
|                                | -Electrical Outlet Box     |



# Model Number Matrix

\*Consult factory for pricing

## CHEM-FEED® Duplex Wall Skid System Matrix - Industrial

**CFWS-2** Duplex pump system - single chemical / single outlet, PE structure

### Inlet/Outlet

<b>A</b>	Single Inlet / Single Outlet
<b>X</b>	None, Skid Panel Only

### Piping/Unions

<b>A</b>	PVC	<b>C</b>	PVDF
<b>B</b>	CPVC	<b>D</b>	CHEM PROLINE®

### Seals

<b>V</b>	FKM	<b>E</b>	EPDM
----------	-----	----------	------

### Tubing Connections

<b>A</b>	1/2" ID PVC Braided	<b>C</b>	1/4" ID PE
<b>B</b>	1/2" ID PTFE	<b>D</b>	1/4" ID PTFE

### Calibration Column

<b>A</b>	128 GPH (4000 ml) PVC	<b>F</b>	3 GPH (100 ml) PVC
<b>B</b>	64 GPH (2000 ml) PVC	<b>P</b>	32 GPH (1000 ml) Glass
<b>C</b>	32 GPH (1000 ml) PVC	<b>Q</b>	16 GPH (500 ml) Glass
<b>D</b>	16 GPH (500 ml) PVC	<b>R</b>	8 GPH (250 ml) Glass
<b>E</b>	8 GPH (250 ml) PVC	<b>S</b>	3 GPH (100 ml) Glass

### Pulsation Dampener (10 cubic in.)

<b>P</b>	Two Dampeners	<b>D</b>	One Dampener	<b>X</b>	Not Included
----------	---------------	----------	--------------	----------	--------------

### Back Pressure Valve

<b>B</b>	Included	<b>X</b>	Not Included
----------	----------	----------	--------------

### Pressure Gauge w/Guard

<b>A</b>	200 PSI	<b>B</b>	100 PSI	<b>C</b>	30 PSI
----------	---------	----------	---------	----------	--------

### Pressure Switch w/Guard

<b>S</b>	Included	<b>X</b>	Not Included
----------	----------	----------	--------------

### Flow Meter w/Strainer

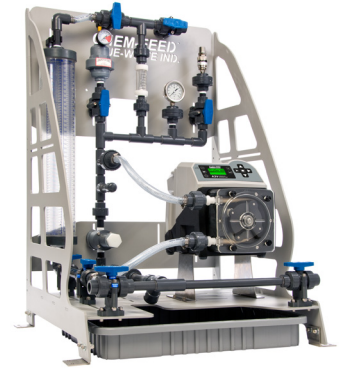
<b>A</b>	10-5000 mL/min
<b>B</b>	100-10000 mL/min
<b>X</b>	Not Included

<b>CFWS-2</b>	<b>I</b>	<b>A</b>	<b>A</b>	<b>V</b>	<b>A</b>	<b>A</b>	<b>P</b>	<b>B</b>	<b>A</b>	<b>S</b>	<b>A</b>	<b>X</b>	<b>X</b>	<b>Sample Model Number</b>
---------------	----------	----------	----------	----------	----------	----------	----------	----------	----------	----------	----------	----------	----------	----------------------------

**NOTES:** When ordering pumps for skids, pump head orientation is standard LEFT facing only. Terminal Boxes quoted and mounted separately. All skids are pressure tested prior to shipment. Pumps are purchased and shipped separately.

# CFS-1

## CHEM-FEED® Aluminum Simplex Skid System



- > The pre-fabricated design allows for easy installation
- > Strong, lightweight polyester powder coated welded aluminum structure
- > Dual side inlets enable connection of multiple skids to the same inlet
- > Flow Indicator provides a visual indication of chemical movement
- > Optional Flow Verification Sensor for monitoring system

### Highlights

#### Piping

PVC Schedule 80  
(optional CPVC)

#### Pressures up to

150 PSI  
(10.3 bar)

#### Compatibility

A100N, A1,A2, A3, A4,  
C2, C3, CD1, CD3

#### Drip tray

4 Gal  
(15.1 L)

#### Frame material

Powder coated  
aluminum

#### Mounting position

Floor or wall

#### Skid weight

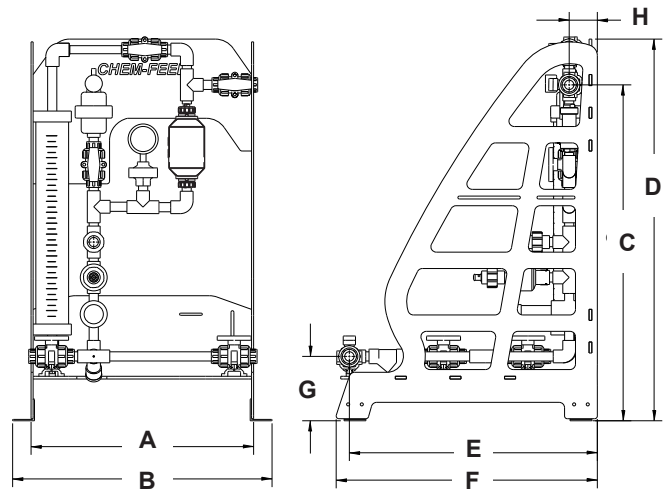
60 lb.  
(27.2 Kg)

#### Warranty

2 Years

### Dimensions

Dim	Inch	cm	Dim	Inch	cm
A	20.25"	51.40	E	22.75"	57.80
B	23.75"	60.30	F	24.00"	61.00
C	30.75"	78.10	G	6.00"	15.20
D	35.00"	88.90	H	2.50"	6.40



### What's in the box

- |                                |                       |
|--------------------------------|-----------------------|
| Pressure Relief Valve          | (Optional if ordered) |
| Check Valve                    | Pulsation Dampener    |
| Flow Indicator x1              | Pressure gauge        |
| Inlet Y Strainer x1            | Calibration column    |
| Inlet/outlet connection tubing | Flow sensor           |
| Wall/floor mount brackets      |                       |
| USB Drive (Operating manual)   |                       |



# Model Number Matrix

\*Consult factory for pricing

## CHEM-FEED® Engineered Skid System - Industrial

<b>CFS-1</b>	Industrial Single pump system - single chemical / single outlet										
<b>Piping / Valves / Unions / Seal Materials</b>											
<b>A</b>	PVC piping, FKM seals, 1/2" ID PVC braided tubing connections					<b>E</b>	CPVC piping, FKM seals, 1/2" ID PVC braided tubing connections				
<b>B</b>	PVC piping, EPDM seals, 1/2" ID PVC braided tubing connections					<b>F</b>	CPVC piping, EPDM seals, 1/2" ID PVC braided tubing connections				
<b>C</b>	PVC piping, FKM seals, 1/4" ID polyethylene tubing connections					<b>G</b>	CPVC piping, FKM seals, 1/4" ID Polyethylene tubing connections				
<b>D</b>	PVC piping, EPDM seals, 1/4" ID Polyethylene tubing connections					<b>H</b>	CPVC piping, EPDM seals, 1/4" ID Polyethylene tubing connections				
<b>X</b>	Skid frame only without piping										
<b>Structure Assembly Materials</b>											
<b>A</b>	Chemical resistant powder coated aluminum stand with 316SS mounting pads										
<b>Chemical Feed Flow Meter</b>											
<b>E</b>	S6A12 chemical feed flow meter with meter mount display, 10-5,000 ml/min (0.158 - 79.2 GPH)										
<b>F</b>	S6A22 chemical feed flow meter with meter mount display, 100-10,000 ml/min (1.58 - 158.5 GPH)										
<b>X</b>	None										
<b>Calibration Cylinder</b>											
		<b>PVC</b>			<b>Glass</b>						
<b>A</b>	64 GPH (2000 ml)	<b>A</b>									
<b>B</b>	32 GPH (1000 ml)	<b>B</b>			<b>P</b>						
<b>C</b>	16 GPH (500 ml)	<b>C</b>			<b>Q</b>						
<b>D</b>	8 GPH (250 ml)	<b>D</b>			<b>R</b>						
<b>E</b>	3 GPH (100 ml)	<b>E</b>			<b>S</b>						
<b>X</b>	None										
<b>Pulsation Dampener</b>											
<b>A</b>	10 cubic inch, CPVC body, PTFE diaphragm					<b>X</b>	None				
<b>Pressure Gauge w/Guard</b>											
<b>A</b>	200 PSI gauge, PTFE diaphragm					<b>C</b>	30 PSI gauge, PTFE diaphragm				
<b>B</b>	100 PSI gauge, PTFE diaphragm					<b>X</b>	None				
<b>Miscellaneous Options</b> (leave blank if not specified)											
<b>A</b>	Isolation ball shut-off valves at check valves										
<b>1</b>	Install a specific pump model on the skid and perform pressure and fluid testing										
<b>CFS-1</b>	<b>A</b>	<b>A</b>	<b>-</b>	<b>E</b>	<b>A</b>	<b>A</b>	<b>A</b>	<b>-</b>	<b>A</b>	<b>Sample Model Number</b>	

**NOTE:** All skid systems ship with the following in/out union connections: 1/2" PVC female NPT, 1/2" PVC slip glue. Pump sold separately.

# CFS-2

## CHEM-FEED® Aluminum Duplex Skid System

- > The pre-fabricated design allows for easy installation
- > Strong, lightweight polyester powder coated welded aluminum structure
- > Dual side inlets enable connection of multiple skids to the same inlet
- > Flow Indicator provides a visual indication of chemical movement
- > Optional Flow Verification Sensor for monitoring system



### Highlights

#### Piping

PVC Schedule 80  
(optional CPVC)

#### Pressures up to

150 PSI  
(10.3 bar)

#### Compatibility

A100N, A1,A2, A3, A4,  
C2, C3, CD1, CD3

#### Drip tray

8 Gal  
(30.3 L)

#### Frame material

Powder coated  
aluminum

#### Mounting position

Floor or wall

#### Skid weight

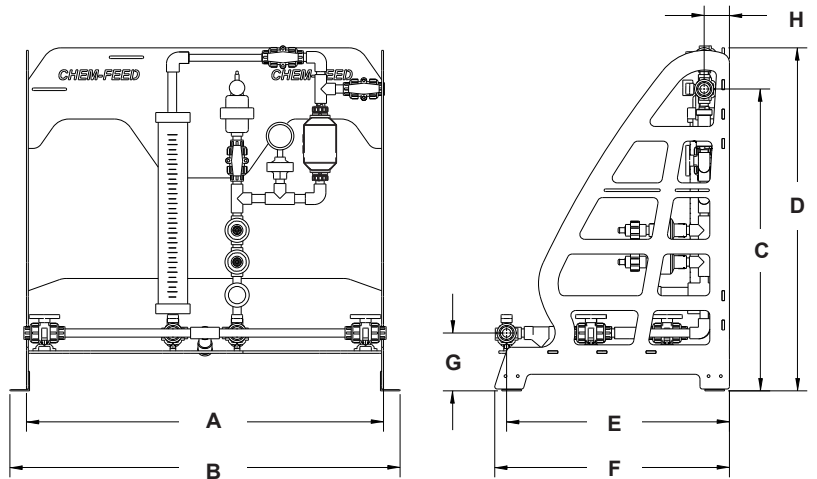
70 lb.  
(31.8 Kg)

#### Warranty

2 Years

### Dimensions

Dim	Inch	cm	Dim	Inch	cm
A	36.25"	92.10	E	22.75"	57.80
B	39.75"	101.00	F	24.00"	61.00
C	30.75"	78.10	G	6.00"	15.20
D	35.00"	88.90	H	2.50"	6.40



### What's in the box

Pressure Relief Valve  
Check Valve  
Flow Indicator x1  
Inlet Y Strainer x1  
Inlet/outlet connection tubing  
Wall/floor mount brackets  
USB Drive (Operating manual)

(Optional if ordered)  
Pulsation Dampener  
Pressure gauge  
Calibration column  
Flow sensor



# Model Number Matrix

\*Consult factory for pricing

## CHEM-FEED® Engineered Skid System - Industrial

<b>CFS-2</b>	Industrial Dual pump system - single chemical / single outlet
--------------	---

### Piping / Valves / Unions / Seal Materials

<b>A</b>	PVC piping, FKM seals, 1/2" ID PVC braided tubing connections	<b>E</b>	CPVC piping, FKM seals, 1/2" ID PVC braided tubing connections
<b>B</b>	PVC piping, EPDM seals, 1/2" ID PVC braided tubing connections	<b>F</b>	CPVC piping, EPDM seals, 1/2" ID PVC braided tubing connections
<b>C</b>	PVC piping, FKM seals, 1/4" ID polyethylene tubing connections	<b>G</b>	CPVC piping, FKM seals, 1/4" ID Polyethylene tubing connections
<b>D</b>	PVC piping, EPDM seals, 1/4" ID Polyethylene tubing connections	<b>H</b>	CPVC piping, EPDM seals, 1/4" ID Polyethylene tubing connections
<b>X</b>	Skid frame only without piping		

### Structure Assembly Materials

<b>A</b>	Chemical resistant powder coated aluminum stand with 316SS mounting pads
----------	--

### Chemical Feed Flow Meter

<b>E</b>	S6A12 chemical feed flow meter with meter mount display, 10-5,000 ml/min (0.158 - 79.2 GPH)
<b>F</b>	S6A22 chemical feed flow meter with meter mount display, 100-10,000 ml/min (1.58 - 158.5 GPH)
<b>X</b>	None

Calibration Cylinder		PVC		Glass	
<b>A</b>	64 GPH (2000 ml)	<b>A</b>			
<b>B</b>	32 GPH (1000 ml)	<b>B</b>		<b>P</b>	
<b>C</b>	16 GPH (500 ml)	<b>C</b>		<b>Q</b>	
<b>D</b>	8 GPH (250 ml)	<b>D</b>		<b>R</b>	
<b>E</b>	3 GPH (100 ml)	<b>E</b>		<b>S</b>	
<b>X</b>	None				

### Pulsation Dampener

<b>A</b>	10 cubic inch, CPVC body, PTFE diaphragm	<b>X</b>	None
----------	--	----------	------

### Pressure Gauge w/Guard

<b>A</b>	200 PSI gauge, PTFE diaphragm	<b>C</b>	30 PSI gauge, PTFE diaphragm
<b>B</b>	100 PSI gauge, PTFE diaphragm	<b>X</b>	None

### Miscellaneous Options (leave blank if not specified)

<b>A</b>	Isolation ball shut-off valves at check valves
<b>R</b>	Outlet plumbing and calibration column position switched
<b>2</b>	Install two specific pump models on the skid and perform pressure and fluid testing

<b>CFS-2</b>	<b>A</b>	<b>A</b>	-	<b>E</b>	<b>A</b>	<b>A</b>	<b>A</b>	-	<b>A</b>	<b>Sample Model Number</b>
--------------	----------	----------	---	----------	----------	----------	----------	---	----------	----------------------------

**NOTE:** All skid systems ship with the following in/out union connections: 1/2" PVC female NPT, 1/2" PVC slip glue. Pumps sold separately. When ordering pumps for skids, pump head orientation is standard LEFT facing for right pump, and Right facing for left pump.

# SKID SYSTEM WARRANTY

## LIMITED WARRANTY

Your Blue-White product is a quality product and is warranted for a specific time from date of purchase (proof of purchase is required). The product will be repaired or replaced at our discretion. Failure must have occurred due to defect in material or workmanship and not as a result of operation of the product other than in normal operation as defined in the product manual. Warranty status is determined by the product's serial label and the sales invoice or receipt. The serial label must be on the product and legible. The warranty status of the product will be verified by Blue-White or a factory authorized service center.

CHEM-FEED® skid systems are warranted for 2 years from date of purchase (proof of purchase is required). The system will be repaired or replaced at our discretion. The metering pump may have its own warranty and is not covered under this warranty.

## WHAT IS NOT COVERED

- Pump removal, or re-installation, and any related labor charge.
- Freight to the factory, or service center.
- Products that have been tampered with, or in pieces.
- Damage resulting from misuse, carelessness such as chemical spills on the enclosure, abuse, lack of maintenance, or alteration which is out of our control.
- Damage by faulty wiring, power surges or acts of nature.

BLUE-WHITE does not assume responsibility for any loss, damage, or expense directly or indirectly related to or arising out of the use of its products. Failure must have occurred due to defect in material or workmanship and not as a result of operation of the product other than in normal operation as defined in the pump manual.

Warranty status is determined by the pump's serial label and the sales invoice or receipt. The serial label must be on the pump and legible. The warranty status of the pump will be verified by Blue-White or a factory authorized service center.

## PROCEDURE FOR IN WARRANTY REPAIR

Warranty service must be performed by the factory or an authorized service center. Contact the factory or local repair center to obtain a RMA (Return Material Authorization) number. It is recommended to include foot strainer and injection/check valve fitting since these devices may be clogged and part of the problem. Decontaminate, dry, and carefully pack the product to be repaired. Please enclose a brief description of the problem and proof of purchase. Prepay all shipping and insurance cost. COD shipments will not be accepted. Damage caused by improper packaging is the responsibility of the sender. When In-Warranty repair is completed, the factory pays for return shipping to the dealer or customer.

## PRODUCT USE WARNING

Blue-White products are manufactured to meet the highest quality standards in the industry. Each product instruction manual includes a description of the associated product warranty and provides the user with important safety information. Purchasers, installers, and operators of Blue-White products should take the time to inform themselves about the safe operation of these products. In addition, Customers are expected to do their own due diligence regarding which products and materials are best suited for their intended applications. BLUE-WHITE is pleased to assist in this effort but does not guarantee the suitability of any particular product for any specific application as Blue-White does not have the same degree of familiarity with the application that the customer/end user has. While BLUE-WHITE will honor all of its product warranties according to their terms and conditions, Blue-White shall only be obligated to repair or replace its defective parts or products in accordance with the associated product warranties.

**BLUE-WHITE SHALL NOT BE LIABLE EITHER IN TORT OR IN CONTRACT FOR ANY LOSS OR DAMAGE WHETHER DIRECT, INDIRECT, INCIDENTAL, OR CONSEQUENTIAL, ARISING OUT OF OR RELATED TO THE FAILURE OF ANY OF ITS PARTS OR PRODUCTS OR OF THEIR NONSUITABILITY FOR A GIVEN PURPOSE OR APPLICATION.**

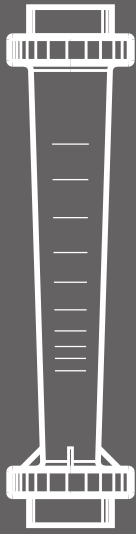
## CHEMICAL RESISTANCE WARNING

BLUE-WHITE offers a wide variety of wetted parts. Purchasers, installers, and operators of Blue-White products must be well informed and aware of the precautions to be taken when injecting or measuring various chemicals, especially those considered to be irritants, contaminants or hazardous. Customers are expected to do their own due diligence regarding which products and materials are best suited for their applications, particularly as it may relate to the potential effects of certain chemicals on Blue-White products and the potential for adverse chemical interactions. Blue-White tests its products with water only. The chemical resistance information included in this instruction manual was supplied to BLUE-WHITE by reputable sources, but Blue-White is not able to vouch for the accuracy or completeness thereof. While BLUE-WHITE will honor all of its product warranties according to their terms and conditions, Blue-White shall only be obligated to repair or replace its defective parts or products in accordance with the associated product warranties.

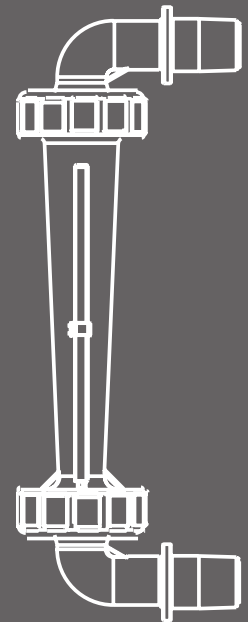
**BLUE-WHITE SHALL NOT BE LIABLE EITHER IN TORT OR IN CONTRACT FOR ANY LOSS OR DAMAGE, WHETHER DIRECT, INDIRECT, INCIDENTAL, OR CONSEQUENTIAL, ARISING OUT OF OR RELATED TO THE USE OF CHEMICALS IN CONNECTION WITH ANY BLUE-WHITE PRODUCTS.**

Users of electrical and electronic equipment (EEE) with the WEEE marking per Annex IV of the WEEE Directive must not dispose of end of life EEE as unsorted municipal waste, but use the collection framework available to them for the return, recycle, recovery of WEEE and minimize any potential effects of EEE on the environment and human health due to the presence of hazardous substances. The WEEE marking applies only to countries within the European Union (EU) and Norway. Appliances are labeled in accordance with European Directive 2002/96/EC. Contact your local waste recovery agency for a Designated Collection Facility in your area.





# INDUSTRIAL Flow Meters



**Blue-White**<sup>®</sup>

# S6A

## SONIC-PRO Flow Meter



- > Inline pipe fittings for easy installation
- > Isolated 4-20 mA output - fully configurable
- > Process control via configurable solid state relay
- > User configurable flow rate and total set-point triggers
- > True unions for ease of maintenance

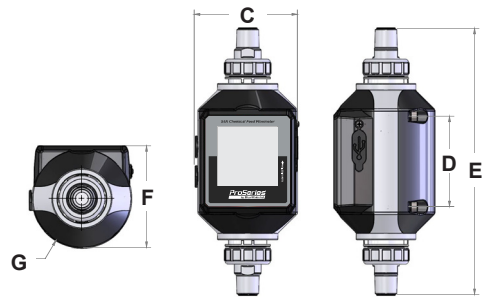
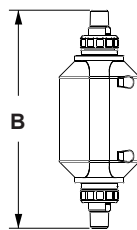
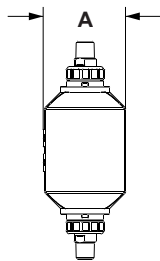
### Highlights

<b>Flow range</b> 10 - 10,000 mL/min .158 - 158.5 GPH	<b>Pressures up to</b> 200 PSI (13.8 bar)	<b>Body material</b> PVDF	<b>Display</b> LCD
<b>Pipe sizes</b> 1/2" Barb, 1/2" M/NPT, 1/2" PVC slip	<b>Display options</b> Remote mount or meter mount	<b>Weight</b> 1.9 lb. (0.86 kg)	<b>Warranty</b> 2 Years

### Dimensions

Dim	Inch	cm
A	3.8"	9.7
B	10.0"	25.4
C	3.9"	9.9
D	3.4"	8.6

Dim	Inch	cm
E	10.02"	25.5
F	3.8"	9.7
G	3.7"	9.4



Remote Mount Display Meter Body

Meter Mount Display Meter Body

### What's in the box

- S6A Chemical Feed meter
- Meter Body Connection Fittings
- 3/16" Hex Key
- USB Drive (Operating manual and Blue-Central®)
- USB-A to USB-C connector
- Power Supply (user configurable)

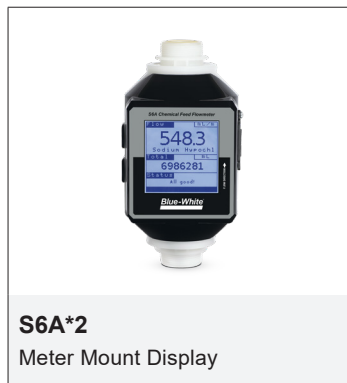


# Model Number Matrix

## Chemical Meter Model Number

<b>S6A</b> S6A Chemical Feed Flow Meter					
<b>Flow Range</b>					
<b>1</b>	10 - 5000 mL/min (0.158 - 79.2 GPH)				
<b>2</b>	100 - 10,000 mL/min (1.58 - 158.5 GPH)				
<b>Display Options</b>					
<b>1</b>	Remote Mount Display				
<b>2</b>	Meter Mount Display				
<b>Elastomer Material (O-Ring)</b>					
<b>V</b>	TFE/P				
<b>E</b>	EP				
<b>S6A</b>	<b>1</b>	<b>1</b>	<b>V</b>	<b>X</b>	<b>Sample Model Number</b>

## Display Options



# MICRO-FLO

## Paddlewheel Flow Verification Sensor

- > High accuracy digital paddlewheel technology
- > 1/8", 1/4" or 1/2" NPT, 1/4"OD or 3/8"OD Tubing sizes
- > Tamper proof factory programming
- > PVC or PVDF adapters available



### Highlights

#### Flow range

.008 - 1.85 GPM  
.03 - 7.00 LPM

#### Pressures up to

150 PSI  
(10 bar)

#### Max. fluid temp.

200 °F (93 °C)  
at 0 PSI

#### Body material

PVDF

#### Connector Size

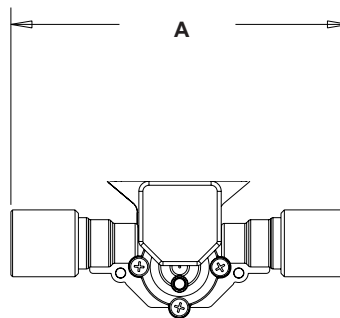
1/8", 1/4", 1/2" F/NPT

#### Warranty

1 Year

### Dimensions

Dim	Inch	cm
A	5.0"	12.7



### What's in the box

Flow Sensor x1  
Instruction manual



## Model Number Matrix

<b>FV</b>	<b>1</b>	<b>-</b>	<b>10</b>	<b>1</b>	<b>-</b>	<b>1</b>	<b>V</b>	<b>Sample Model Number</b>
-----------	----------	----------	-----------	----------	----------	----------	----------	----------------------------

<b>Meter Function</b>
<b>FV</b> = Flow sensor only (no display)

<b>Power Supply</b>
<b>1</b> = Transformer U.S. 115VAC/15VDC
<b>2</b> = Transformer E.U. 220VAC/15VDC
<b>None</b> = No selection (customer supplied)

<b>Flow Range Selection</b>
<b>10</b> = 30-300 ml/min*
<b>20</b> = 100-1000 ml/min*
<b>30</b> = 200-2000 ml/min
<b>40</b> = 300-3000 ml/min
<b>50</b> = 500-5000 ml/min
<b>60</b> = 700-7000 ml/min

\* Consult factory for assistance on 10 and 20 flow models

<b>O-ring Seal Selection</b>
<b>V</b> = Viton

<b>Connector Selection</b>
<b>1</b> = .500" ID hose barb, PVC
<b>2</b> = .500" Male NPT, PVC
<b>3</b> = .500" Female NPT, PVC
<b>4</b> = .250" OD tubing connection, Polypropylene
<b>5</b> = .125" Female NPT, PVC
<b>6</b> = .375" OD tubing connection, PVDF
<b>7</b> = .250" Female NPT, PVC

<b>Lens Material Selection</b>
<b>1</b> = Opaque PVDF

# F-1000

## Paddlewheel Flow Meter



- > High accuracy digital paddlewheel technology
- > 3/8", 1/2", 3/4", 1", 1-1/2", and 2" male pipe threads
- > 1-1/2", 2", 2-1/2", 3", 4", 6", 8", 10" and 12" saddle mount sizes
- > Tamper proof factory programming
- > Easy to read 6 digit LCD display, up to 4 decimal places
- > Flow rate and flow totalization

### Highlights

#### Flow range

.4 - 8,000 GPM  
1 - 27,000 LPM

#### Pressures up to

300 PSI  
(20 bar)

#### Max. fluid temp.

200 °F (93 °C)  
at 0 PSI

#### Body material

PVC, Polypropylene or  
316 Stainless Steel

#### Pipe sizes

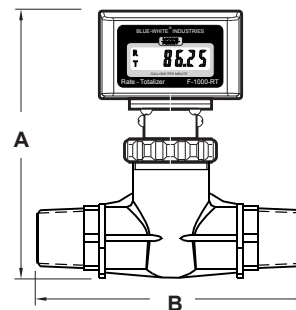
3/8", up to 12"

#### Warranty

1 Year

### Dimensions

Pipe Size	A	B
3/8"	5-3/8" (137mm)	4-3/4" (121mm)
1/2"	5-3/8" (137mm)	5-1/8" (130mm)
3/4"	5-5/8" (143mm)	5-1/4" (133mm)
1"	5-5/8" (143mm)	5-5/8" (143mm)
1-1/2"	6-1/8" (156mm)	6-1/2" (165mm)
2"	6-3/8" (162mm)	6-3/4" (171mm)



### What's in the box

- Flow meter x1
- Clamp (saddle only) x 2
- Pipe Plug (saddle only) x 1
- Batteries x2 (installed)
- Instruction manual



# F-1000 Model Number Matrix

<b>RB</b>	-	<b>375</b>	<b>MI</b>	-	<b>GPM</b>	<b>1</b>	-		<b>Sample Model Number</b>
-----------	---	------------	-----------	---	------------	----------	---	--	----------------------------

### Variations

<b>RB</b> = Rate Only
<b>TB</b> = Total Only
<b>RT</b> = Rate and Total

### Option

**P** = No pipe fitting

### Pipe Sizes M/NPT

Imperial Pipe Sizes	Metric Pipe Sizes
<b>375</b> = 3/8" IPS	<b>050</b> = 50 mm
<b>500</b> = 1/2" IPS	<b>063</b> = 63 mm
<b>750</b> = 3/4" IPS	<b>075</b> = 75 mm
<b>100</b> = 1" IPS	<b>090</b> = 90 mm
<b>150</b> = 1-1/2" IPS	<b>110</b> = 110 mm
<b>200</b> = 2" IPS	<b>160</b> = 160 mm
<b>250</b> = 2-1/2" IPS	<b>200</b> = 200 mm
<b>300</b> = 3" IPS	<b>250</b> = 250 mm
<b>400</b> = 4" IPS	<b>315</b> = 315 mm
<b>600</b> = 6" IPS	
<b>800</b> = 8" IPS	
<b>1000</b> = 10" IPS	
<b>1200</b> = 12" IPS	

### Calibration Range

[Click here for details](#)

<b>1</b> = Range 1	<b>3</b> = Range 3
<b>2</b> = Range 2	<b>4</b> = Range 4

### Calibration Units

<b>GPM</b> = U.S. Gallons per minute
<b>GPH</b> = U.S. Gallons per hour
<b>GPD</b> = U.S. Gallons per day
<b>OZM</b> = U.S. Ounces per minute
<b>CFM</b> = Cubic Feet per minute
<b>AFD</b> = Acre Feet per day
<b>LPM</b> = Liters per minute
<b>LPH</b> = Liters per hour
<b>LPD</b> = Liters per day
<b>M3H</b> = Cubic Meters per hour
<b>IGM</b> = Imperial Gallons per minute
<b>IGH</b> = Imperial Gallons per hour

### Pipe Fitting Type

<b>S4</b> = SADDLE, SCH40 (I.P.S.) PVC or IRON pipe	<b>MI</b> = INLINE INJECTION MOLDED PP AMERICAN M/NPT
1-1/2", 2", 3" PVDF	3/8", 1/2", 3/4", 1" M/NPT, polypropylene
2-1/2", 4", 6", 8" PVC	1-1/2" M/NPT, polypropylene
10", 12" PVC	2" M/NPT, polypropylene
<b>S8</b> = SADDLE, SCH80 (I.P.S.) PVC pipe	<b>MB</b> = INLINE INJECTION MOLDED PP BRITISH M/BSPT
1-1/2", 2", 3" PVDF	3/8", 1/2", 3/4", 1" M/BSPT, polypropylene
2-1/2", 4", 6", 8" PVC	1-1/2" M/BSPT, polypropylene
10", 12" PVC	2" M/BSPT, polypropylene
<b>P0</b> = SADDLE, PN10 METRIC (DIN 8062) pipe	<b>AT</b> = INLINE INJECTION MOLDED TEE PVC SLIP/SOCKET
50 mm, 63 mm, 90 mm PVDF	1", 1-1/2", 2" PVC
75, 110, 160, 200 mm PVC	3" PVC
250, 315 mm PVC	
<b>P6</b> = SADDLE, PN16 METRIC (DIN 8062) pipe	
50 mm, 63 mm, 90 mm PVDF	
75, 110, 160, 200 mm PVC	
250, 315 mm PVC	

# F-2000

## Paddlewheel Flow Meter

- > High accuracy digital paddlewheel technology
- > 3/8", 1/2", 3/4", 1", 1-1/2", and 2" male pipe threads
- > 1-1/2", 2", 2-1/2", 3", 4", 6", 8", 10" and 12" saddle mount sizes
- > Optional 4-20mA or 0-10VDC output
- > Easy to read 8 digit LCD display, up to 4 decimal places
- > Flow rate and flow totalization
- > Front panel security lock-out



### Highlights

#### Flow range

.4 - 8,000 GPM  
1 - 27,000 LPM

#### Pressures up to

300 PSI  
(20 bar)

#### Max. fluid temp.

200 °F (93 °C)  
at 0 PSI

#### Body material

PVC, Polypropylene or  
316 Stainless Steel

#### Pipe sizes

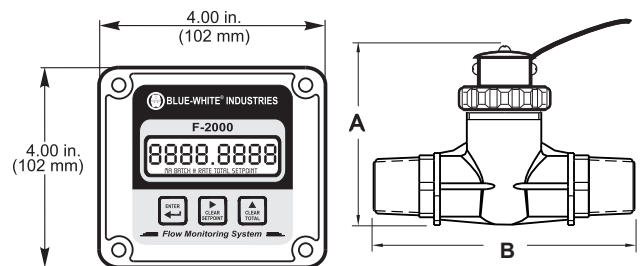
3/8", up to 12"

#### Warranty

1 Year

### Dimensions

Pipe Size	A	B
3/8"	3-3/4" (95mm)	4-3/4" (121mm)
1/2"	3-3/4" (95mm)	5-1/8" (130mm)
3/4"	4" (102mm)	5-1/4" (133mm)
1"	4" (102mm)	5-5/8" (143mm)
1-1/2"	4-1/2" (114mm)	6-1/2" (165mm)
2"	4-3/4" (121mm)	6-3/4" (171mm)



### What's in the box

- Flow meter x1
- Clamp (saddle only) x 2
- Pipe Plug (saddle only) x 1
- Batteries x2 (installed)
- Instruction manual





# F-2000 Model Number Matrix

<b>RT</b>	<b>S</b>	<b>B</b>	<b>38</b>	<b>M1</b>	<b>GM</b>	<b>1</b>	<b>-</b>	<b>P</b>	<b>Sample Model Number</b>
-----------	----------	----------	-----------	-----------	-----------	----------	----------	----------	----------------------------

Variations
<b>RT</b> = Flow Rate and Totalizing
<b>AO</b> = Analog Output, Flow Rate and Totalizing
<b>PC</b> = Batch Processing, Flow Rate Alarm, Proportional Metering, Flow Rate and Totalizing
<b>AP</b> = Analog Output, Batch Processing, Flow Rate Alarm Proportional Metering, Flow Rate Alarm and Flow Totalizing
<b>FC</b> = Flow Sensor - AC Coil - 200 ft. range
<b>FH</b> = Flow Sensor - Hall Effect - 1 mile range

Display Mounting
<b>S</b> = Meter Mounted on AC Coil Sensor
<b>P</b> = Meter Panel Mounted, AC Coil Sensor, 200 ft. range, includes 25 Ft. of cable
<b>H</b> = Meter Panel Mounted, Hall Effect Sensor, 1 mile Range, includes 25 ft. of cable
<b>X</b> = Sensor only (without Display Meter)

Power
<b>B</b> = Battery Holder with 4 AA cells
<b>1</b> = U.S. Transformer, AC 115V60Hz/15Vdc, NEMA 5/15 plug
<b>2</b> = Europe Transformer, AC 230V50Hz/15Vdc, CEE 7/VII plug
<b>3</b> = U.S. Transformer, AC 230V60Hz/15Vdc, NEMA5/15 plug
<b>X</b> = No Selection (Customer must supply power)

Pipe Sizes M/NPT	
Imperial Pipe Sizes	Metric Pipe Sizes
<b>38</b> = 3/8" IPS	<b>05</b> = 50mm
<b>50</b> = 1/2" IPS	<b>06</b> = 63mm
<b>75</b> = 3/4" IPS	<b>07</b> = 75mm
<b>10</b> = 1" IPS	<b>09</b> = 90mm
<b>15</b> = 1-1/2" IPS	<b>11</b> = 110mm
<b>20</b> = 2" IPS	<b>16</b> = 160mm
<b>25</b> = 2-1/2" IPS	<b>20</b> = 200mm
<b>30</b> = 3" IPS	<b>25</b> = 250mm (PN10 only)
<b>40</b> = 4" IPS	<b>31</b> = 315mm (PN10 only)
<b>60</b> = 6" IPS	
<b>80</b> = 8" IPS	
<b>100</b> = 10" IPS	
<b>120</b> = 12" IPS	

Option
<b>P</b> = No pipe fitting*
<b>50FT</b> = 50 feet of signal cable
<b>100FT</b> = 100 feet of signal cable

Calibration Range <a href="#">Click here for details</a>	
<b>1</b> = Range 1	<b>3</b> = Range 3
<b>2</b> = Range 2	<b>4</b> = Range 4

Calibration Units	
<b>GM</b> = U.S. Gallons per minute	<b>LH</b> = Liters per hour
<b>GH</b> = U.S. Gallons per hour	<b>LD</b> = Liters per day
<b>GD</b> = U.S. Gallons per day	<b>MH</b> = Cubic Meters per hour
<b>OM</b> = U.S. Ounces per minute	<b>IM</b> = Imperial Gallons per minute
<b>AD</b> = Acre Feet per day	<b>IH</b> = Imperial Gallons per hour
<b>LM</b> = Liters per minute	

Saddle Pipe Fitting Type
<b>SADDLE, SCH40 (I.P.S.) PVC or IRON pipe</b>
<b>K4</b> = 1-1/2", 2", 3" PVDF
<b>A4</b> = 2-1/2", 4", 6", 8" PVC
<b>A4</b> = 10", 12" PVC
<b>SADDLE, SCH80 (I.P.S.) PVC pipe</b>
<b>K8</b> = 1-1/2", 2", 3" PVDF
<b>A8</b> = 2-1/2", 4", 6", 8" PVC
<b>A8</b> = 10", 12" PVC
<b>SADDLE, PN10 METRIC (DIN 8062) pipe</b>
<b>K0</b> = 50mm, 63mm, 90mm PVDF
<b>A0</b> = 75, 110, 160, 200 PVC
<b>A0</b> = 250,315mm PVC
<b>SADDLE, PN16 METRIC (DIN 8062) pipe</b>
<b>K6</b> = 50mm, 63mm, 90mm PVDF
<b>A6</b> = 75, 110, 160, and 200, PVC

Inline Pipe Fitting Type
<b>INLINE INJECTION MOLDED PP AMERICAN M/NPT</b>
<b>M1</b> = Range #1, <b>M2</b> = Range #2
<b>M3</b> = Range #3, <b>M4</b> = Range #4
3/8", 1/2", 3/4", 1" M/NPT polypropylene
1-1/2" M/NPT polypropylene
2" M/NPT polypropylene
<b>INLINE INJECTION MOLDED PP BRITISH M/BSPT</b>
<b>MB1</b> = Range #1, <b>MB2</b> = Range #2
<b>MB3</b> = Range #3, <b>MB4</b> = Range #4
3/8", 1/2", 3/4", 1" M/BSPT polypropylene
1-1/2" M/BSPT polypropylene
2" M/BSPT polypropylene
<b>INLINE INJECTION MOLDED TEE PVC SLIP/SOCKET</b>
<b>AT</b> = 1", 1-1/2", 2" Female slip glue/weld
3" Female slip glue/weld

**Optional Accessories and Components**

71000-294 Panel Mount Kit Bracket  
 71000-514 Mounting Conversion Kit, Sensor Mount to Panel Mount.  
 71000-301 Wall Mount Adapter Kit. Cable Not Included.  
 71000-302 Wall or Pipe Mounting Kit (3/8" - 1.5" Pipe). Cable Not Included.  
 71000-303 Wall or Pipe Mounting Kit (2" Pipe). Cable Not Included.  
 71000-304 Wall or Pipe Mounting Kit (3" Pipe). Cable Not Included.  
 71000-305 Wall or Pipe Mounting Kit (4" Pipe). Cable Not Included.  
 71000-306 Wall or Pipe Mounting Kit (6" Pipe). Cable Not Included.  
 71000-307 Wall or Pipe Mounting Kit (8" Pipe). Cable Not Included.  
 71000-414 Wall or Pipe Mounting Kit (10" Pipe). Cable Not Included.  
 71000-415 Wall or Pipe Mounting Kit (12" Pipe). Cable Not Included.  
 71000-322 Battery Back-up Kit

See Spare Parts or Instruction Manual for more options.

# F-300

## Variable Area Flow Meter

- > Easy to read dual scale (SCH 40 / SCH 80)
- > Acceptable for outdoor installations
- > Pitot Tube (impact tube) design makes it easy to install on existing pipe
- > One-piece, machined acrylic meter body



### Highlights

#### Flow range

5.0 - 2,200 GPM (SCH 40)  
4.0 - 1,950 LPM (SCH 40)

#### Pressures up to

75 PSI  
(5.17 bar)

#### Max. fluid temp.

190 °F  
88 °C

#### Body material

Acrylic

#### Pipe sizes

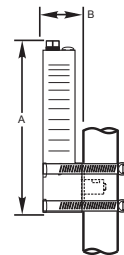
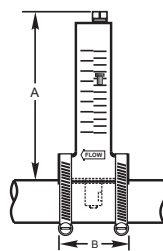
1" to 8"

#### Warranty

1 Year

### Dimensions

Pipe Size	A	B	Pipe Size	A	B
1"	6"	2-7/16"	3"	6"	2-7/16"
1-1/4"	6"	2-7/16"	4"	6"	2-7/16"
1-1/2"	6"	2-7/16"	5"	6"	2-7/16"
2"	6"	2-7/16"	6"	7-1/2"	2-7/16"
2-1/2"	6"	2-7/16"	8"	7-1/2"	2-7/16"



#### U/D-300 Series

Pipe Size	A	B
1-1/2"	6"	1-9/16"
2"	6"	1-9/16"

### What's in the box

- Flow meter x 1
- Rubber Gasket x 1
- Clamp x 2
- Instruction manual



# Model Number Matrix

## F-300 Model Number

<b>F</b>	Standard Flow Meter (Horizontal Flow) (NSF 50 Listed)
<b>U</b>	Flow Meter (Upwards Flow 1.5" and 2.0" only)
<b>D</b>	Flow Meter (Downwards Flow 1.5" and 2.0" only)

### Series

<b>30</b>	F-300 Acrylic Body
-----------	--------------------

### GPM Scale SCH 40 / SCH 80

<b>100</b>	1.0" Pipe, 5 - 35 GPM sch 40 (4 - 26 GPM sch 80)
<b>125</b>	1.25" Pipe, 9 - 50 GPM sch 40 (8 - 40 GPM sch 80)
<b>150</b>	1.50" Pipe, 10 - 70 GPM sch 40 (10 - 60 GPM sch 80)
<b>150</b>	UP/DOWN 1.5" Pipe, 10 - 60 GPM sch 40 (10 - 50 GPM sch 80)
<b>200</b>	2.0" Pipe, 20 - 120 GPM sch 40 (18 - 100 GPM sch 80)
<b>200</b>	UP/DOWN 2.0" Pipe, 20 - 110 GPM sch 40 (20 - 100 GPM sch 80)
<b>250</b>	2.5" Pipe, 29 - 150 GPM sch 40 (25 - 130 GPM sch 80)
<b>300</b>	3.0" Pipe, 45 - 240 GPM sch 40 (40 - 205 GPM sch 80)
<b>400</b>	4.0" Pipe, 75 - 420 GPM sch 40 (70 - 375 GPM sch 80)
<b>600</b>	6.0" Pipe, 170 - 1100 GPM sch 40 (160 - 1000 GPM sch 80)
<b>800</b>	8.0" Pipe, 300 - 2200 GPM sch 40 (275 - 1950 GPM sch 80)

<b>F</b>	<b>-</b>	<b>30</b>	<b>100</b>	<b>P</b>	<b>Sample Model Number</b>
----------	----------	-----------	------------	----------	----------------------------

## Accessories



1.0"P - 1.25"P ONLY



1.5"P - 4.0"P ONLY

**NOTE:** Accessories sold separately.

# F-400

## Variable Area Flow Meter

- > Durable, highly polished, one piece meter body
- > Annealed for added strength and chemical resistance
- > Acceptable in direct sunlight
- > Full scale accuracy +/- 5%
- > 316ss float & guide-wire



### Highlights

#### Flow range

.025 - 5.0 GPM  
.1 - 20 LPM

#### Pressures up to

150 PSI  
(10.3 bar)

#### Max. fluid temp.

150 °F  
65 °C

#### Body

Acrylic

#### Adapters

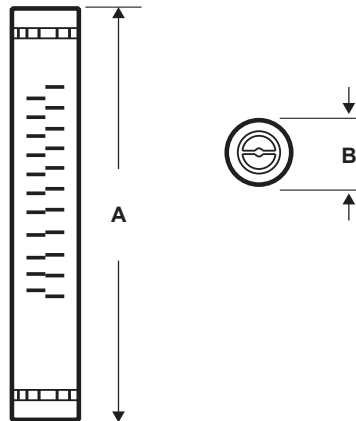
1/4", 3/8" & 1/2" F/NPT

#### Warranty

1 Year

### Dimensions

Dim	Inch	cm
A	8-3/16"	20.8
B	1-1/4"	3.2



### What's in the box

Flow meter x1  
Instruction manual



# Model Number Matrix

## F-400 Model Number

<b>F</b>	Flow Meter					
<b>Series</b>						
	<b>40</b>	F-400 Acrylic body				
<b>Scale</b>						
	<b>050</b>	0.05 - .5 gpm (0.2 - 2.0 lpm) 316ss Float				
	<b>250</b>	0.025 - .25 gpm (0.1 - 1.0 lpm) PVDF Float				
	<b>375</b>	0.1 - 1.0 gpm (0.4 - 4.0 lpm) PTFE Float				
	<b>376</b>	0.2 - 2.0 gpm (1.0 - 7.5 lpm) 316ss Float				
	<b>377</b>	0.3 - 3.0 gpm (1.5 - 11 lpm) 316ss Float				
	<b>500</b>	0.5 - 5.0 gpm (2.0 - 20 lpm) 316ss Float				
<b>Guide-Wire Material</b>						
	<b>LN</b>	3/16" Stainless steel rod				
<b>Adapter</b>						
	<b>4</b>	.250" Female NPT, Polypropylene				
	<b>6</b>	.375" Female NPT, Polypropylene				
	<b>8</b>	.500" Female NPT, Polypropylene				
<b>F</b>	<b>-</b>	<b>40</b>	<b>050</b>	<b>LN</b>	<b>-</b>	<b>4</b> <b>Sample Model Number</b>

\*In-house NIST Calibration, OEM packaging, silicone oil free and bulk packaging options are also available.

# F-410

## Variable Area Flow Meter

- > Durable, highly polished, one piece meter body
- > Annealed for added strength and chemical resistance
- > Acceptable in direct sunlight
- > Full scale accuracy +/- 5%
- > 316ss float & guide-wire



### Highlights

**Flow range**

1.0 - 20 GPM  
4.0 - 80 LPM

**Pressures up to**

150 PSI  
(10.3 bar)

**Max. fluid temp.**

150 °F  
65 °C

**Body**

Acrylic

**Adapters**

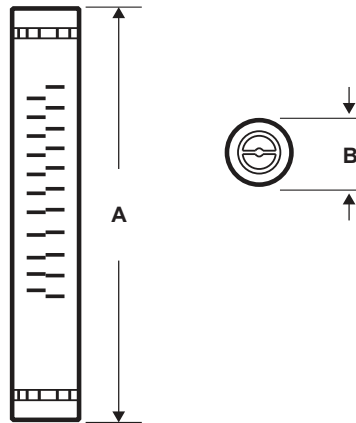
3/4" & 1.0" F/NPT

**Warranty**

1 Year

### Dimensions

Dim	Inch	cm
A	11"	27.9
B	1-3/4"	4.4



### What's in the box

Flow meter x1  
Instruction manual



# Model Number Matrix

## F-410 Model Number

<b>F</b>	Flow Meter				
<b>Scale</b>					
	<b>40750</b>	1-10 gpm (4 - 38 lpm) 316SS Float			
	<b>41000</b>	2-20 gpm (8 - 80 lpm) 316SS Float			
<b>Guide-Wire Material</b>					
	<b>LN</b>	3/16" Stainless steel rod			
<b>Adapter</b>					
	<b>12</b>	.75" Female NPT, Polypropylene			
	<b>16</b>	1.0" Female NPT, Polypropylene			
<b>F</b>	<b>-</b>	<b>40750</b>	<b>LN</b>	<b>-</b>	<b>12</b> <b>Sample Model Number</b>

\*In-house NIST Calibration, silicone oil free and bulk packaging options are also available.

# F-420

## Variable Area Flow Meter



- > Durable, highly polished, one piece meter body
- > Annealed for added strength and chemical resistance
- > Acceptable in direct sunlight
- > Full scale accuracy +/- 5%
- > 316ss float & guide-wire

### Highlights

#### Flow range

5.0 - 50 GPM  
20 - 200 LPM

#### Pressures up to

130 PSI  
(8.9 bar)

#### Max. fluid temp.

130 °F  
54 °C

#### Body

Acrylic

#### Adapters

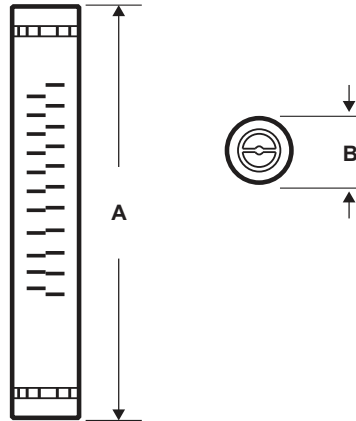
1.0" & 1.5"  
(F/NPT & M/NPT)

#### Warranty

1 Year

### Dimensions

Dim	Inch	cm
A	11"	27.9
B	1-3/4"	4.4



### What's in the box

Flow meter x1  
Instruction manual





# Model Number Matrix

## F-420 Model Number

<b>F</b>	Flow Meter				
	<b>Series</b>				
	<b>420</b>	F-420 Acrylic Body			
		<b>Scale</b>			
		<b>25</b>	5-25 gpm (20 - 100 lpm) 316ss float		
		<b>40</b>	8-40 gpm (30 - 150 lpm) 316ss float		
		<b>50</b>	10-50 gpm (40 - 200 lpm) 316ss float		
			<b>Guide-Wire Material</b>		
			<b>LN</b>	3/16" Stainless steel rod	
				<b>Adapter</b>	
				<b>(Blank)</b>	1.5" Male NPT, PVC
				<b>-16</b>	1.0" Female NPT, PVC
<b>F</b>	<b>-</b>	<b>420</b>	<b>25</b>	<b>LN</b>	<b>Sample Model Number</b>

\*In-house NIST Calibration, OEM packaging and silicone oil free options are also available.

# F-430

## Variable Area Flow Meter

- > Durable, highly polished, one piece meter body
- > Annealed for added strength and chemical resistance
- > Acceptable in direct sunlight
- > Full scale accuracy +/- 5%
- > 316ss float & guide-wire



### Highlights

#### Flow range

4.0 - 100 GPM  
15 - 375 LPM

#### Pressures up to

130 PSI  
(8.9 bar)

#### Max. fluid temp.

130 °F  
54 °C

#### Body

Acrylic

#### Adapters

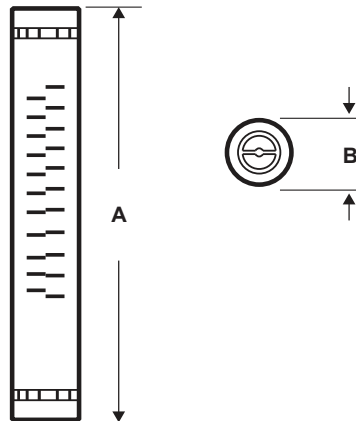
1.5" & 2.0" F/NPT

#### Warranty

1 Year

### Dimensions

Dim	Inch	cm
A	14"	35.6
B	3"	7.6



### What's in the box

Flow meter x1  
Instruction manual



# Model Number Matrix

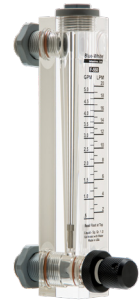
## F-430 Model Number

<b>F</b>	Flow Meter				
<b>Series</b>					
	<b>43</b>	F-430 Acrylic Body			
<b>Scale</b>					
	<b>040</b>	4 - 40 gpm (15 - 150 lpm) 316ss Float			
	<b>060</b>	6 - 60 gpm (20 - 230 lpm) 316ss Float			
	<b>080</b>	8 - 80 gpm (30 - 300 lpm) 316ss Float			
	<b>100</b>	20 - 100 gpm (75 - 375 lpm) 316ss Float			
<b>Guide-Wire Material</b>					
	<b>LNS</b>	3/16" Stainless steel rod with PVC adapters			
<b>Adapter</b>					
	<b>(Blank)</b>	2.0" Female/NPT			
	<b>-24</b>	1.5" Female/NPT			
<b>F</b>	<b>-</b>	<b>43</b>	<b>040</b>	<b>LNS</b>	<b>Sample Model Number</b>

\*In-house NIST Calibration, OEM packaging and silicone oil free options are also available.

# F-550

## Variable Area Flow Meter



- > Durable, highly polished, one piece meter body
- > Annealed for added strength and chemical resistance
- > Acceptable in direct sunlight
- > Full scale accuracy +/- 5%
- > 316ss float & guide-wire

### Highlights

#### Flow range

.025 - 20 GPM  
.1 - 75 LPM

#### Pressures up to

250 PSI  
(17.2 bar)

#### Max. fluid temp.

200 °F  
(93 °C)

#### Body

Acrylic

#### Adapters

1/4" - 1.0" M/NPT

#### Warranty

1 Year

### Dimensions

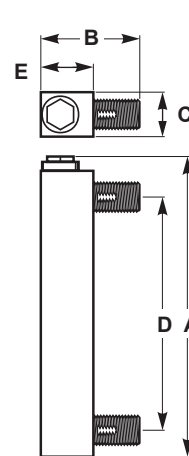
#### Panel Mount

Pipe Size	A	B	C	D	E	Mount Hole
F-55250L (1/4")	7-1/4"	2-1/2"	1-11/16"	5-5/8"	1-1/4"	9/16"
F-55375L (3/8")	8-3/8"	2-3/4"	1-11/32"	6-1/2"	1-1/2"	11/16"
F-55376L (3/8")	8-3/8"	2-3/4"	1-11/32"	6-1/2"	1-1/2"	11/16"
F-55500L (1/2")	8-3/8"	2-3/4"	1-11/32"	6-1/2"	1-1/2"	7/8"
F-55750L (3/4")	9"	3-3/4"	1-1/2"	6-1/2"	1-3/4"	1-1/16"
F-55005L (1")	10-5/8"	4"	1-3/4"	8"	2"	1-21/64"
F-55010L (1")	10-5/8"	4"	1-3/4"	8"	2"	1-21/64"
F-55015L (1")	10-5/8"	4"	1-3/4"	8"	2"	1-21/64"
F-55200L (1")	10-5/8"	4"	1-3/4"	8"	2"	1-21/64"

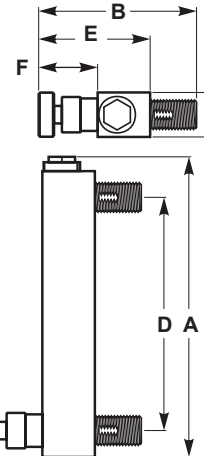
#### Adjustable Panel Mount

Pipe Size	A	B	C	D	E	F	Mount Hole
F-55250LA (1/4")	7-1/4"	3-7/16"	1"	5-5/8"	2-7/16"	1-11/32"	9/16"
F-55375LA (3/8")	8-3/8"	4-1/2"	1-11/32"	6-1/2"	3-1/4"	1-3/4"	11/16"
F-55376LA (3/8")	8-3/8"	4-1/2"	1-11/32"	6-1/2"	3-1/4"	1-3/4"	11/16"
F-55500LA (1/2")	8-3/8"	4-1/2"	1-11/32"	6-1/2"	3-1/4"	1-3/4"	7/8"
F-55750LA (3/4")	9"	5-1/2"	1-1/2"	6-1/2"	3-1/4"	15/16"	1-1/16"
F-55010LA (1")	10-5/8"	5-1/4"	1-3/4"	8"	3-1/2"	17/16"	1-21/64"
F-55015LA (1")	10-5/8"	5-1/4"	1-3/4"	8"	3-1/2"	17/16"	1-21/64"
F-55200LA (1")	10-5/8"	5-1/4"	1-3/4"	8"	3-1/2"	17/16"	1-21/64"

Non-Adjustable Panel Mount



Adjustable Panel Mount



# Model Number Matrix

## F-550 Model Number

<b>F</b>	Flow Meter				
	<b>Series</b>				
	<b>55</b>	F-550 Acrylic Body			
		<b>Scale</b>			
		<b>250</b>	0.025 - .250 gpm (0.1 - 1.0 lpm) pp Float, 0.25" Male NPT adapter, pp		
		<b>375</b>	0.1 - 1.0 gpm (0.4 - 4.0 lpm) 316SS Float, 0.375" Male NPT adapter, pp		
		<b>376</b>	0.2 - 2.0 gpm (0.75 - 7.5 lpm) 316SS Float, 0.375" Male NPT adapter, pp		
		<b>500</b>	0.5 - 5.0 gpm (2.0 - 20 lpm) 316SS Float, 0.50" Male NPT adapter, pp		
		<b>750</b>	1.0 - 10 gpm (4.0 - 40 lpm) 316SS Float, 0.75" Male NPT adapter, pp		
		<b>005</b>	1.0 - 5.0 gpm (3.0 - 18 lpm) PTFE Float, 1.0" Male NPT adapter, pp		
		<b>010</b>	1.0 - 10 gpm (4.0 - 40 lpm) 316SS Float, 1.0" Male NPT adapter, pp		
		<b>015</b>	1.0 - 15 gpm (5.0 - 60 lpm) 316SS Float, 1.0" Male NPT adapter, pp		
		<b>200</b>	2 - 20 gpm (7.5 - 75 lpm) 316SS Float, 1.0" Male NPT adapter, pp		
			<b>Guide-Wire Material</b>		
		<b>L</b>	3/16" Stainless steel rod		
			<b>Installation</b>		
			<b>(Blank)</b>	Panel Mount Model	
			<b>A</b>	Adustable Panel Mount Model (scale 250 - 500 only)	
			<b>A</b>	Adustable Panel Mount Model (scale 750 - 200 only)	
<b>F</b>	<b>-</b>	<b>55</b>	<b>250</b>	<b>L</b>	<b>Sample Model Number</b>

# F-440

## Variable Area Flow Meter



- > Polysulfone body resists high temperatures and pressures
- > In-line or panel mount configurations available
- > Indoor use only
- > Full scale accuracy +/- 4%
- > 316ss float & guide-wire

### Highlights

#### Flow range

.025 – 10 GPM  
0.1 – 37.5 LPM

#### Pressures up to

175 PSI  
(12 bar)

#### Max. fluid temp.

212 °F  
100 °C

#### Body

Polysulfone

#### Adapters

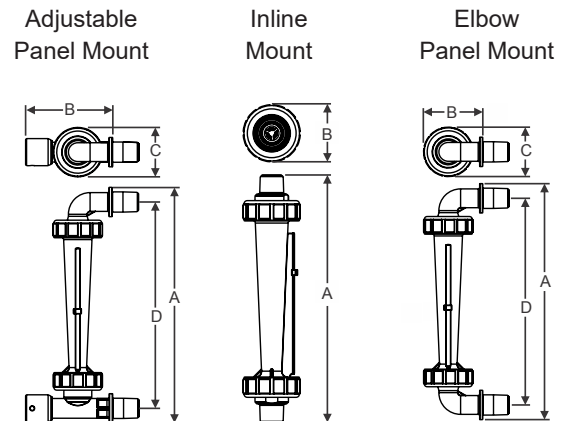
1/4" - 3/4" M/NPT  
(Inline & panel mount)

#### Warranty

1 Year

	Pipe Size	A	B	C	D
Inline	F-44250	6-3/16" 157mm	1-11/16" (43mm)	N/A	N/A
	F-44375				
	F-44376				
	F-44500				
	F-44750	7-1/2" (191mm)	2" (51mm)	N/A	N/A
Elbow	F-44250E	7" (178mm)	3" (76mm)	1-11/16" (43mm)	5-15/16" (151mm)
	F-44375E				
	F-44376E				
	F-44500E				
	F-44750E	8-1/8" (206mm)	3" (76mm)	2" (51mm)	6-13/16" (173mm)
Adjustable	F-44250EA	7" (178mm)	4-1/2" (114mm)	1-11/16" (43mm)	6" (152mm)
	F-44375EA				
	F-44376EA				
	F-44500EA				
	F-44750EA	8" (203mm)	4-1/2" (114mm)	2" (51mm)	6-13/16" (173mm)

### Dimensions



## MODEL NUMBER MATRIX

### F-440 Model Number

<b>F</b>	Flow Meter						
<b>Series</b>							
	<b>44</b>	F-440 Polysulfone Body					
<b>Scale</b>							
	<b>250</b>	0.025 - .250 gpm (0.1 - 1.0 lpm) PVDF Float					
	<b>375</b>	0.1 - 1.0 gpm (0.4 - 4.0 lpm) 316SS Float					
	<b>376</b>	0.2 - 2.0 gpm (0.8 - 8.0 lpm) 316SS Float					
	<b>500</b>	0.5 - 5.0 gpm (1.8 - 18.0 lpm) 316SS Float					
	<b>750</b>	1.0 - 10 gpm (5.0 - 37.5 lpm) 316SS Float					
<b>Guide-Wire Material</b>							
	<b>L</b>	3/16" Stainless steel rod					
<b>Installation</b>							
	<b>(Blank)</b>	In-Line Model					
	<b>E</b>	Panel Mount Model					
	<b>A</b>	Adjustable Panel					
<b>Adapter</b>				<b>Adapter (For 750)</b>			
	<b>6</b>	.375" Male npt Polysulfone Adapter and Union			<b>8</b>	.50" Male npt Polysulfone Adapter and Union	
	<b>8</b>	.50" Male npt Polysulfone Adapter and Union			<b>12</b>	.75" Male npt Polysulfone Adapter and Union	
<b>F</b>	<b>-</b>	<b>44</b>	<b>250</b>	<b>L</b>	<b>-</b>	<b>6</b>	<b>Sample Model Number</b>

\*In-house NIST Calibration, OEM packaging and silicone oil free options are also available.

# F-450

## Variable Area Flow Meter

- > Polysulfone body resists high temperatures and pressures
- > In-line or panel mount configurations available
- > Indoor use only
- > Full scale accuracy +/- 4%
- > 316ss float & guide-wire



### Highlights

#### Flow range

0.1 - 10 GPM  
0.4 - 40 LPM

#### Pressures up to

150 PSI  
(10.3 bar)

#### Max. fluid temp.

150 °F  
65 °C

#### Body

Polysulfone

#### Adapters

3/8" - 3/4" M/NPT  
(Inline & panel mount)

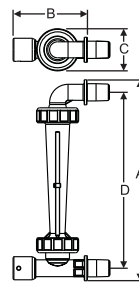
#### Warranty

1 Year

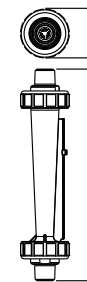
### Dimensions

	Pipe Size	A	B	C	D
Inline	F-45375L	8-7/8" (225.5mm)	1-3/4" (44.4mm)	N/A	N/A
	F-45376L				
	F-45500L				
	F-45750L	10" (254mm)	2" (51mm)	N/A	N/A
Elbow	F-45375E	9-7/8" (250.8mm)	3-1/2" (88mm)	2" (51mm)	9-1/8" (233mm)
	F-45376E				
	F-45500E				
	F-45750E	10" (254mm)	3-1/2" (88mm)	2" (51mm)	9-1/8" (233mm)
Adjustable	F-45375A	9-7/8" (250.8mm)	5" (127mm)	2" (51mm)	8-9/16" (217.5mm)
	F-45376A				
	F-45500A				
	F-45750A	10" (254mm)	5" (127mm)	2" (51mm)	9-1/8" (231.8mm)

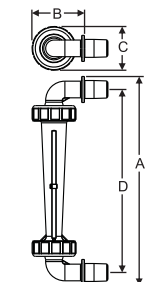
Adjustable Panel Mount



Inline Mount



Elbow Panel Mount



### What's in the box

Flow meter x1  
Instruction manual





# Model Number Matrix

## F-450 Model Number

<b>F</b>	Flow Meter						
<b>Series</b>							
	<b>45</b>	F-450 Polysulfone body					
<b>Scale</b>							
	<b>375</b>	0.1 - 1.0 gpm (0.4 - 4.0 lpm) Teflon float					
	<b>376</b>	0.2 - 2.0 gpm (1.0 - 7.5 lpm) 316ss Float					
	<b>500</b>	0.5 - 5.0 gpm (2.0 - 20 lpm) 316ss Float					
	<b>750</b>	1.0 - 10 gpm (4.0 - 40 lpm) 316ss Float					
<b>Guide-wire material</b>							
	<b>L</b>	3/16" Stainless steel rod					
<b>Installation</b>							
	<b>(Blank)</b>	In-Line model					
	<b>E</b>	Panel mount model (6, 8 and 12 adapter options only)					
	<b>A</b>	Adjustable panel mount model (6, 8 and 12 adapter options only)					
<b>Adapter</b>							
	<b>6</b>	0.375" Female NPT polypropylene adapter & polysulfone union ( 0.375" Male NPT adapters for panel mount models)					
	<b>8</b>	0.50" Male NPT polysulfone adapter & union (in-line & panel mount models)					
	<b>12</b>	0.75" Male NPT polysulfone adapter & union (in-line & panel mount models)					
<b>F</b>	<b>-</b>	<b>45</b>	<b>375</b>	<b>L</b>	<b>-</b>	<b>6</b>	<b>Sample Model Number</b>

**\*In-house NIST Calibration, OEM packaging and silicone oil free options are also available.**

# F-451

## Variable Area Flow Meter

- > Polysulfone body resists high temperatures and pressures
- > In-line or panel mount configurations available
- > Indoor use only
- > Full Scale Accuracy +/- 3%
- > 316ss float & guide-wire



### Highlights

#### Flow range

0.5 - 40 GPM  
2.0 - 155 LPM

#### Pressures up to

150 PSI  
(10.3 bar)

#### Max. fluid temp.

212 °F  
100 °C

#### Body

Polysulfone

#### Adapters

1.0" & 1.5" F/NPT  
(Inline & panel mount)

#### Warranty

1 Year

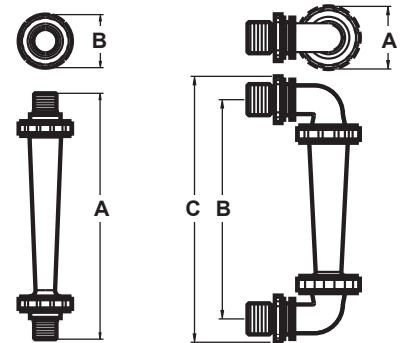
### Dimensions

Vertical Inline Models

Dim	Inch	cm
A	14-1/2"	36.83
B	3-5/16"	8.41

Panel Mount Elbow Models

Dim	Inch	cm
A	3-5/16"	8.41
B	15"	38.1
C	17"	43.18



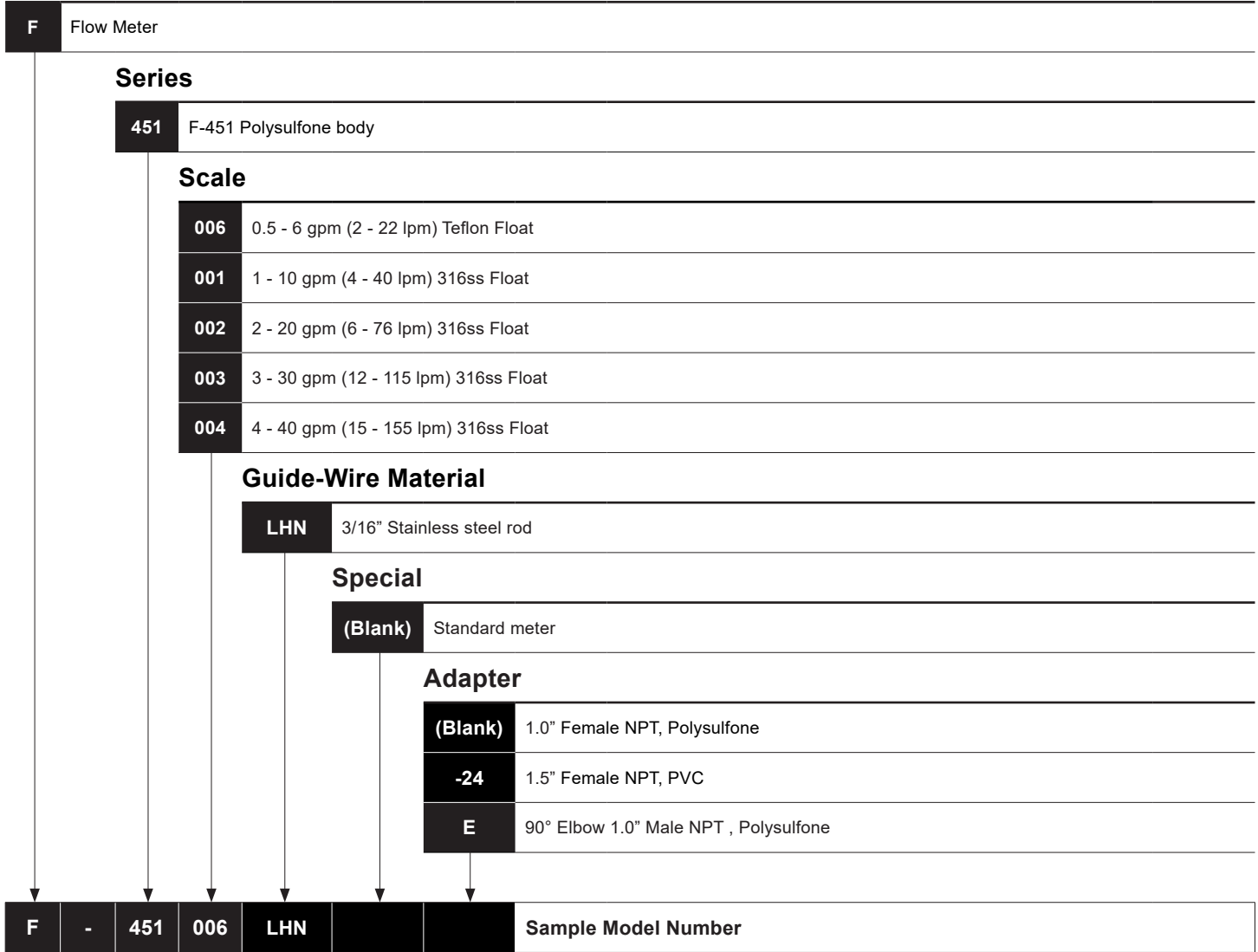
### What's in the box

Flow meter x1  
Instruction manual



# Model Number Matrix

## F-451 Model Number



\*In-house NIST Calibration, OEM packaging and silicone oil free options are also available.

**Optional Accessories and Components**  
 Polycarbonate Shield Kit KIT-SHS

# F-452

## Variable Area Flow Meter

- > Polysulfone body resists high temperatures and pressures
- > In-line or panel mount configurations available
- > Indoor use only
- > Full scale accuracy +/- 2%
- > 316ss float & guide-wire



### Highlights

#### Flow range

2 - 175 GPM  
8 - 675 LPM

#### Pressures up to

150 PSI  
(10.3 bar)

#### Max. fluid temp.

200 °F  
93 °C

#### Body

Polysulfone

#### Adapters

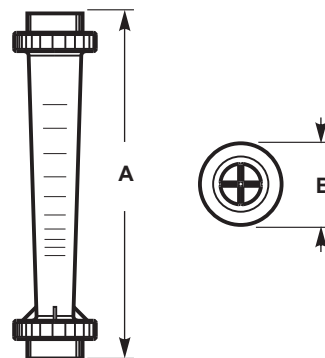
2.0" F/NPT

#### Warranty

1 Year

### Dimensions

Dim	Inch	cm
A	18-7/8"	47.9
B	4-5/8"	11.7



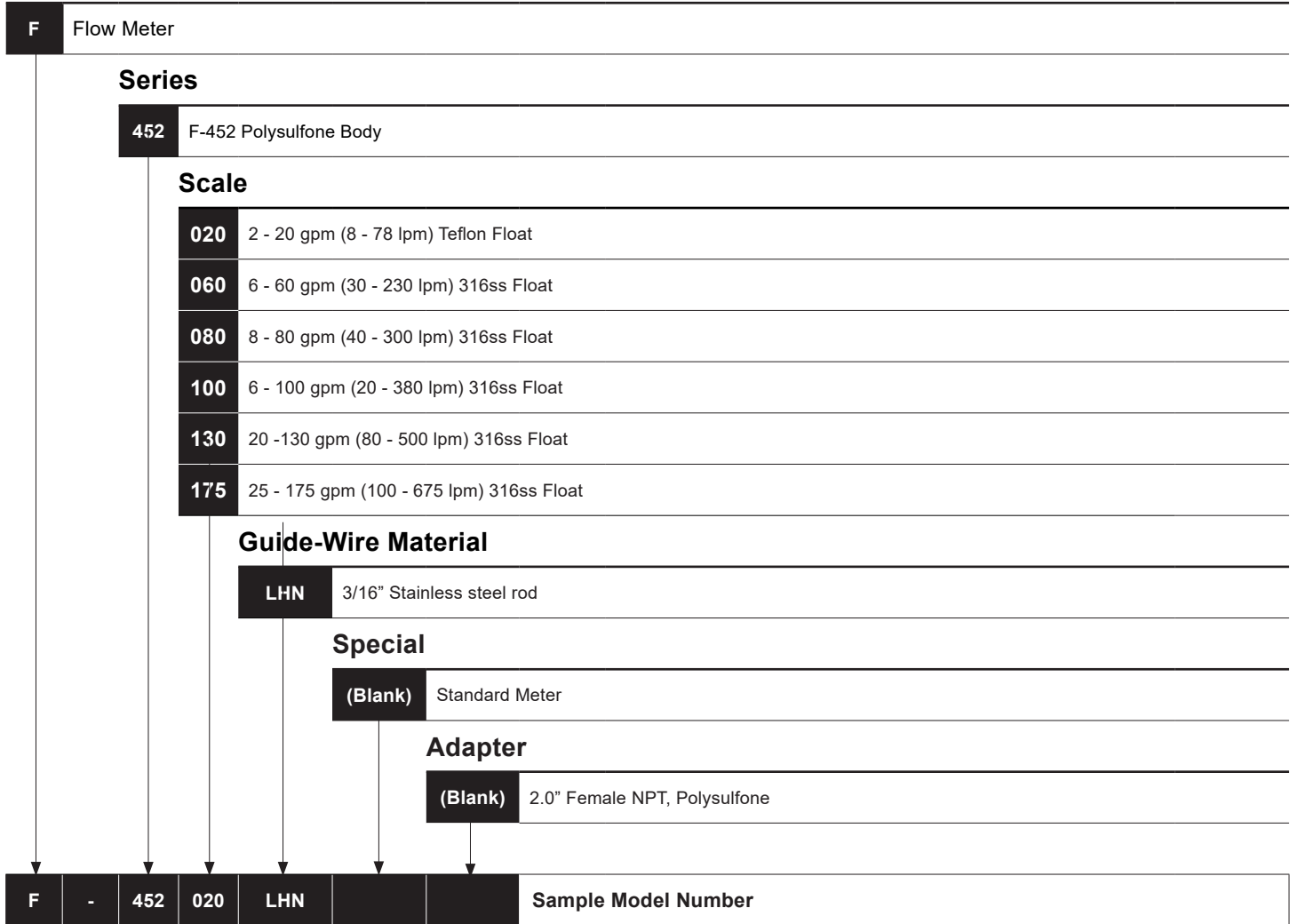
### What's in the box

Flow meter x1  
Instruction manual



# Model Number Matrix

## F-452 Model Number



\*In-house NIST Calibration, OEM packaging and silicone oil free options are also available.

**Optional Accessories and Components**  
 Polycarbonate Shield Kit KIT-SHL

# F-460

## Variable Area Flow Meter

- > Polysulfone body resists high temperatures and pressures
- > Ultrapure - No metal in fluid path
- > Indoor use only
- > Full scale accuracy +/- 2.5%
- > PTFE float for corrosive applications



### Highlights

#### Flow range

0.1 - 5.0 GPM  
0.4 - 20.0 LPM

#### Pressures up to

150 PSI  
(10.3 bar)

#### Max. fluid temp.

210 °F / 98 °C (PVDF)  
130 °F / 54 °C (PVC)

#### Body

Polysulfone

#### Adapters

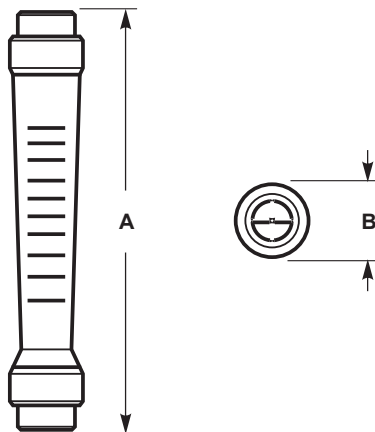
1/2" & 3/4" F/NPT

#### Warranty

1 Year

### Dimensions

Dim	Inch	cm
A	10"	25.4
B	1-3/4"	44.0



### What's in the box

Flow meter x1  
Instruction manual



# Model Number Matrix

## F-460 Model Number

<b>F</b>	Flow Meter					
<b>Series</b>						
	<b>460</b>	F-460 Polysulfone body				
<b>Scale</b>						
	<b>10</b>	0.1 - 1.2 gpm ( 0.4 - 4.4 lpm) Teflon Float				
	<b>20</b>	0.2 - 2.0 gpm (0.8 - 8.0 lpm) Teflon Float				
	<b>30</b>	0.3 - 3.0 gpm (1.0 - 11 lpm) Teflon Float				
	<b>50</b>	0.5 - 5.0 gpm (2.0 - 20 lpm) Teflon Float				
<b>Union</b>						
	<b>LX</b>	Aluminum union				
	<b>LP</b>	PVC union				
<b>Adapter</b>						
	<b>08P</b>	0.5" Female NPT, PVC				
	<b>08K</b>	0.5" Female NPT, PVDF				
	<b>12P</b>	0.75" Female NPT, PVC				
	<b>12K</b>	0.75" Female NPT, PVDF				
<b>F</b>	<b>-</b>	<b>460</b>	<b>10</b>	<b>LX</b>	<b>-</b>	<b>08P</b> Sample Model Number

**\*In-house NIST Calibration, OEM packaging and silicone oil free options are also available.**

# F-461

## Variable Area Flow Meter

- > Polysulfone body resists high temperatures and pressures
- > Ultrapure - No metal in fluid path
- > Indoor use only
- > Full scale accuracy +/- 2.5%
- > PTFE float for corrosive applications



### Highlights

#### Flow range

1.0 - 35.0 GPM  
4.0 - 130 LPM

#### Pressures up to

150 PSI  
(10.3 bar)

#### Max. fluid temp.

210 °F / 98 °C (PVDF)  
130 °F / 54 °C (PVC)

#### Body

Polysulfone

#### Adapters

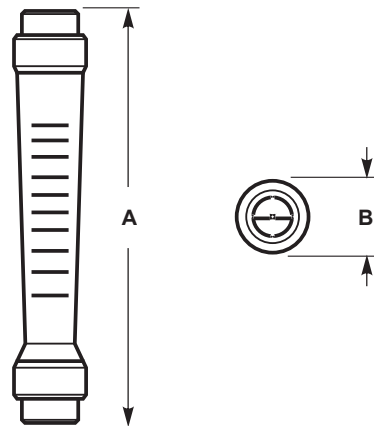
1.0" F/NPT

#### Warranty

1 Year

### Dimensions

Dim	Inch	cm
A	15"	38.1
B	2-3/4"	7.0



### What's in the box

Flow meter x1  
Instruction manual





# Model Number Matrix

## F-461 Model Number

<b>F</b>	Flow Meter						
<b>Series</b>							
	<b>461</b>	F-461 Polysulfone Body					
<b>Scale</b>							
	<b>100</b>	1 - 10 gpm (4 - 40 lpm) Teflon Float					
	<b>200</b>	2 - 20 gpm (5 - 75 lpm) Teflon Float					
	<b>300</b>	3 - 35 gpm (12 - 130 lpm) Teflon Float					
<b>Union</b>							
	<b>LX</b>	Aluminum Union					
	<b>LP</b>	PVC Union					
<b>Adapter</b>							
	<b>16P</b>	1.0" Female NPT, PVC					
	<b>16K</b>	1.0" Female NPT, PVDF					
<b>F</b>	<b>-</b>	<b>461</b>	<b>100</b>	<b>LX</b>	<b>-</b>	<b>16P</b>	Sample Model Number

\*In-house NIST Calibration, OEM packaging, silicone oil free and bulk packaging options are also available.

# F-462

## Variable Area Flow Meter

- > Polysulfone body resists high temperatures and pressures
- > Ultrapure - No metal in fluid path
- > Indoor use only
- > Full scale accuracy +/- 2.5%
- > PTFE float for corrosive applications



### Highlights

#### Flow range

2.0 - 80 GPM  
6 - 300 LPM

#### Pressures up to

150 PSI  
(10.3 bar)

#### Max. fluid temp.

200 °F  
93 °C

#### Body

Polysulfone

#### Adapters

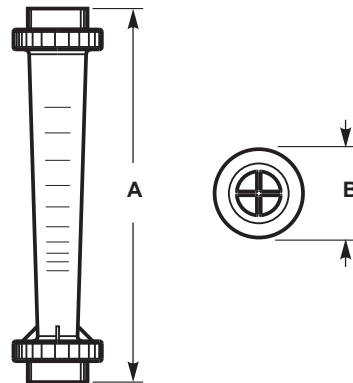
2.0" F/NPT

#### Warranty

1 Year

### Dimensions

Dim	Inch	cm
A	18-7/8"	47.9
B	4-5/8"	11.7



### What's in the box

Flow meter x1  
Instruction manual



# Model Number Matrix

## F-462 Model Number

<b>F</b>	Flow Meter					
<b>Series</b>						
	<b>462</b>	F-462 Polysulfone body				
<b>Scale</b>						
	<b>200</b>	2 - 20 gpm, (8 - 80 lpm) Teflon Float				
	<b>500</b>	5 - 50 gpm (20 - 200 lpm) Teflon Float				
	<b>800</b>	8 - 80 gpm (30 - 300 lpm) Teflon Float				
<b>Union</b>						
	<b>LX</b>	Polysulfone Union				
	<b>LP</b>	PVC Union				
<b>Adapter</b>						
		<b>32H</b>	2.0" Female NPT, Polysulfone			
<b>F</b>	<b>-</b>	<b>462</b>	<b>200</b>	<b>LX</b>	<b>-</b>	<b>32H</b> Sample Model Number

\*In-house NIST Calibration, OEM packaging and silicone oil free options are also available.

**Optional Accessories and Components**  
 Polycarbonate Shield Kit KIT-SHL

# FLOW METER WARRANTY

## LIMITED WARRANTY

Your Blue-White product is a quality product and is warranted for a specific time from date of purchase (proof of purchase is required). The product will be repaired or replaced at our discretion. Failure must have occurred due to defect in material or workmanship and not as a result of operation of the product other than in normal operation as defined in the product manual. Warranty status is determined by the product's serial label and the sales invoice or receipt. The serial label must be on the product and legible. The warranty status of the product will be verified by Blue-White or a factory authorized service center.

Variable Area and Digital Flow meters are warranted for 1 year from date of purchase (proof of purchase is required). The flow meter will be repaired or replaced at our discretion. The S6A ultrasonic flow meter is warranted for 2 years from date of purchase (proof of purchase is required). The flow meter will be repaired or replaced at our discretion.

## WHAT IS NOT COVERED

- Freight to the factory, or service center.
- Products that have been tampered with, or in pieces.
- Damage resulting from misuse, carelessness such as chemical spills on the enclosure, abuse, lack of maintenance, or alteration which is out of our control.
- Damage by faulty wiring, power surges or acts of nature.
- Damage that occurs as a result of: meter misalignment, improper installation, over tightening, use of non-recommended chemicals, use of nonrecommended adhesives or pipe dopes, excessive heat or pressure, or allowing the meter to support the weight of related piping.

BLUE-WHITE does not assume responsibility for any loss, damage, or expense directly or indirectly related to or arising out of the use of its products. Failure must have occurred due to defect in material or workmanship and not as a result of operation of the product other than in normal operation as defined in the manual.

Warranty status is determined by the product's serial label and the sales invoice or receipt. The serial label must be on the product and legible. The warranty status will be verified by Blue-White or a factory authorized service center.

## PROCEDURE FOR IN WARRANTY REPAIR

Warranty service must be performed by the factory or an authorized service center. Contact the factory or local repair center to obtain a RMA (Return Material Authorization) number. It is recommended to include foot strainer and injection/check valve fitting since these devices may be clogged and part of the problem. Decontaminate, dry, and carefully pack the product to be repaired. Please enclose a brief description of the problem and proof of purchase. Prepay all shipping and insurance cost. COD shipments will not be accepted. Damage caused by improper packaging is the responsibility of the sender. When In-Warranty repair is completed, the factory pays for return shipping to the dealer or customer.

## PRODUCT USE WARNING

Blue-White products are manufactured to meet the highest quality standards in the industry. Each product instruction manual includes a description of the associated product warranty and provides the user with important safety information. Purchasers, installers, and operators of Blue-White products should take the time to inform themselves about the safe operation of these products. In addition, Customers are expected to do their own due diligence regarding which products and materials are best suited for their intended applications. BLUE-WHITE is pleased to assist in this effort but does not guarantee the suitability of any particular product for any specific application as Blue-White does not have the same degree of familiarity with the application that the customer/end user has. While BLUE-WHITE will honor all of its product warranties according to their terms and conditions, Blue-White shall only be obligated to repair or replace its defective parts or products in accordance with the associated product warranties.

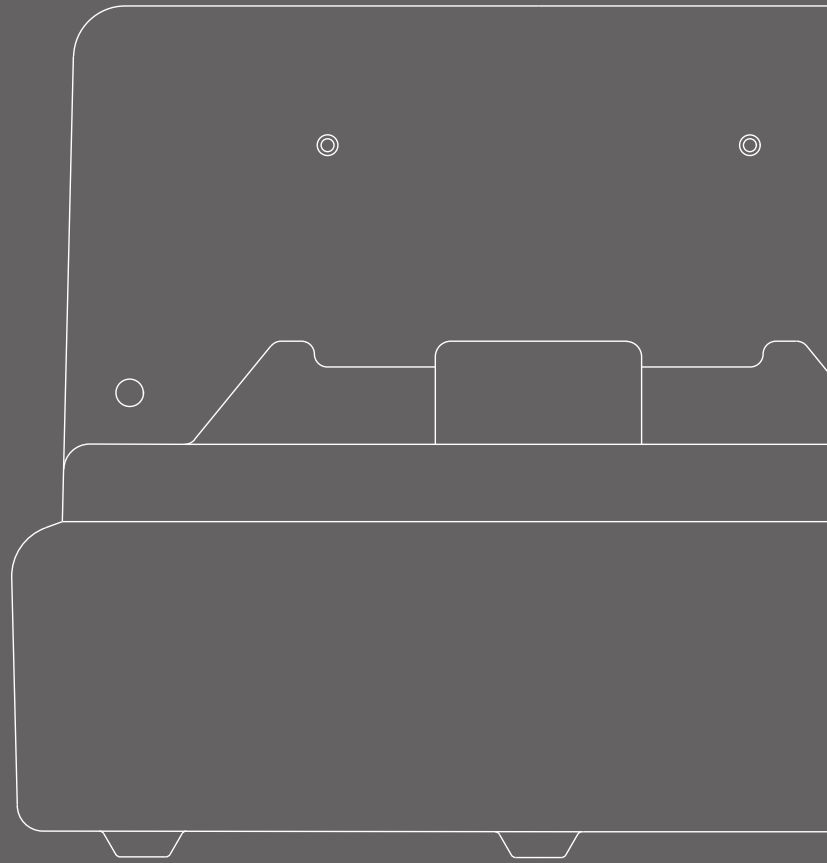
**BLUE-WHITE SHALL NOT BE LIABLE EITHER IN TORT OR IN CONTRACT FOR ANY LOSS OR DAMAGE WHETHER DIRECT, INDIRECT, INCIDENTAL, OR CONSEQUENTIAL, ARISING OUT OF OR RELATED TO THE FAILURE OF ANY OF ITS PARTS OR PRODUCTS OR OF THEIR NONSUITABILITY FOR A GIVEN PURPOSE OR APPLICATION.**

## CHEMICAL RESISTANCE WARNING

BLUE-WHITE offers a wide variety of wetted parts. Purchasers, installers, and operators of Blue-White products must be well informed and aware of the precautions to be taken when injecting or measuring various chemicals, especially those considered to be irritants, contaminants or hazardous. Customers are expected to do their own due diligence regarding which products and materials are best suited for their applications, particularly as it may relate to the potential effects of certain chemicals on Blue-White products and the potential for adverse chemical interactions. Blue-White tests its products with water only. The chemical resistance information included in this instruction manual was supplied to BLUE-WHITE by reputable sources, but Blue-White is not able to vouch for the accuracy or completeness thereof. While BLUE-WHITE will honor all of its product warranties according to their terms and conditions, Blue-White shall only be obligated to repair or replace its defective parts or products in accordance with the associated product warranties.

**BLUE-WHITE SHALL NOT BE LIABLE EITHER IN TORT OR IN CONTRACT FOR ANY LOSS OR DAMAGE, WHETHER DIRECT, INDIRECT, INCIDENTAL, OR CONSEQUENTIAL, ARISING OUT OF OR RELATED TO THE USE OF CHEMICALS IN CONNECTION WITH ANY BLUE-WHITE PRODUCTS.**

Users of electrical and electronic equipment (EEE) with the WEEE marking per Annex IV of the WEEE Directive must not dispose of end of life EEE as unsorted municipal waste, but use the collection framework available to them for the return, recycle, recovery of WEEE and minimize any potential effects of EEE on the environment and human health due to the presence of hazardous substances. The WEEE marking applies only to countries within the European Union (EU) and Norway. Appliances are labeled in accordance with European Directive 2002/96/EC. Contact your local waste recovery agency for a Designated Collection Facility in your area.



# INDUSTRIAL

## Tanks and Accessories

**Blue-White**<sup>®</sup>

# STAR III SYSTEM

## Metering Pump Tank System



- > Polyethylene tank with U.V. inhibitors for sunlight protection
- > The tank has extra heavy wall thickness for stability
- > All necessary accessories are included
- > Raised off the floor for easy wash down
- > Lid position: open, closed, or vented

### Highlights

#### Tank capacity

7 gallon,  
15 gallon, or  
30 gallon

#### Compatibility

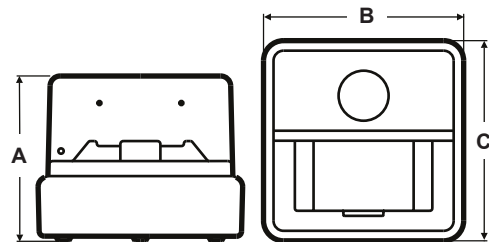
A1, CD1,  
A100N

#### Warranty

1 Year

### Dimensions

	7 Gallon Tank	15 Gallon Tank	30 Gallon Tank
PART	KIT-S07	KIT-S15	KIT-S30
A	12" (30 cm)	17.25" (44 cm)	27.50" (69 cm)
B	18.5" (47 cm)	20" (51 cm)	20" (51 cm)
C	18.5" (47 cm)	20" (51 cm)	20" (51 cm)
SHIP WT	24 lb. (11 kg)	32 lb. (15 kg)	38 lb. (18 kg)



### What's in the box

- Tank
- One lid (3-way position for open, closed or vented)
- One Foot Valve (71000-351)
- Mounting screws
- Pump mounting bracket

# CHEMICAL TANK

## Tank System

- > Polyethylene single wall tank
- > U.V. inhibitors for sunlight protection
- > The tank has extra heavy wall thickness for stability
- > Includes volume graduation marks



## Highlights

### Tank capacity

15 gallon,  
30 gallon, or  
50 gallon

### Complete

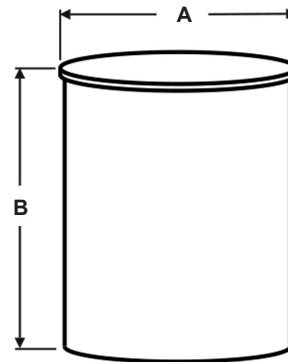
Tanks come with solid,  
one-piece lid

### Warranty

1 Year

## Dimensions

	ST-15	ST-30	ST-50
	15 Gallon Tank	30 Gallon Tank	50 Gallon Tank
<b>A</b>	14.13" (35.8 cm)	18.50" (46.9 cm)	22.50" (57.1 cm)
<b>B</b>	23.63" (60.0 cm)	28.38" (72.0 cm)	33.38" (84.7 cm)
<b>SHIP WT</b>	11 lb. (4.90 kg)	16 lb. (7.30 kg)	23 lb. (10.40 kg)
<b>TANK W/LID</b>	ST-15	ST-30	ST-50



## What's in the box

1 Tank  
1 Lid

# C-1500 STAR TANK

## Tank System

- > Includes flow indicator and all necessary accessories
- > Polyethylene tank with U.V. inhibitors for sunlight protection
- > The tank has extra heavy wall thickness for stability
- > Convenient rectangular shape
- > Flooded suction assists in priming
- > Raised off the floor for easy wash down



Note: C-1500 Pump Sold Separately.

## Highlights

### Tank capacity

7 gallon,  
15 gallon, or  
30 gallon

### Compatibility

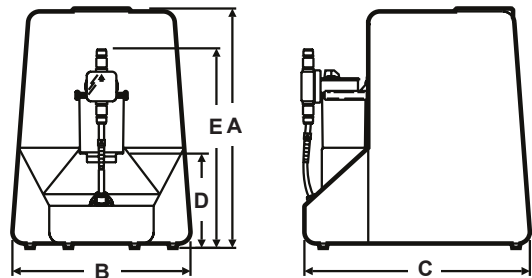
C-1500N

### Warranty

1 Year

## Dimensions

	STAR-7 7 Gallon Tank	STAR-15 15 Gallon Tank	STAR-30 30 Gallon Tank
<b>A</b>	17.5" (44.5 cm)	22" (56 cm)	27" (69 cm)
<b>B</b>	12" (30.5 cm)	15.5" (38 cm)	20" (51 cm)
<b>C</b>	16" (41 cm)	19.5" (50 cm)	24" (61 cm)
<b>D</b>	7.8" (19.7 cm)	7.8" (19.7 cm)	7.8" (19.7 cm)
<b>E</b>	17" (43 cm)	17" (43 cm)	17" (43 cm)
<b>KIT SHIP WT</b>	19 lb. (9 kg)	28 lb. (13 kg)	36 lb. (16 kg)
<b>TANK ONLY</b>	11 lb. (5 kg)	20 lb. (9 kg)	28 lb. (13 kg)



## What's in the box

One Tank  
One Lid (3-way position for open, closed, or vented)  
Foot Valve  
Flow Indicator  
Mounting Hardware



This page intentionally left blank.

# PUMP ACCESSORIES

Cat. No.	Part No.	Description
<b>FOOT VALVES AND STRAINERS</b>		
C-340A		Foot Valve for 1/4" ID, 3/8" OD tubing, Aflas, PVDF (No spring)
C-340E		Foot Valve for 1/4" ID, 3/8" OD tubing, EP, PVDF (No spring)
C-342-6		Strainer, for 1/4" ID tubing
C-346		Ceramic Weight (for 3/8" OD tubing)
C-345E		Foot Valve/Bilkhead Fitting for 1/4" tubing, 3/8" OD, EP Seal, PVDF
C-345A		Foot Valve/Bulkhead Fitting for 1/4" tubing, 3/8" OD, FKM/Aflas, PVDF
	71000-825	Suction Strainer, 1/2" Barb, PVDF body
	71000-824	Suction Strainer, 1/2" MNPT, PVDF body
	71010-261	Foot Valve, 1/4" ID x 3/8 OD tube, PVDF Body, FKM O-ring
	71000-575	Foot Valve, 1/2" Barb, PVDF Body, FKM O-ring
	71000-576	Foot Valve, 1/2" Barb, PVDF Body, EP O-ring
	71000-849	Foot Valve, 1/2" MNPT, PVDF Body, FKM O-ring
	71000-850	Foot Valve, 1/2" MNPT, PVDF Body, EP O-ring
	71001-005	Foot Valve, 1/2" MNPT, PVDF Body, FKM O-ring (PTFE Ball)
	71001-106	Foot Valve, 1/4" ID x 3/8 OD tube, PVDF Body, FKM O-ring
	71001-107	Foot Valve, 1/4" ID x 3/8 OD tube, PVDF Body, EP O-ring
<b>INJECTION VALVES for FLEXFLO</b>		
A-014N-6A	71000-532	Injection Valve, for 3/8" OD Tubing, Aflas, PP body, 1/2 psi
A-014N-6E	71000-534	Injection Valve, for 3/8" OD Tubing, EP, PP body, 1/2 psi
A-014NK-6A	71000-551	Injection Valve, for 3/8" OD Tubing, Aflas, PVDF body, 1/2 psi
A-014NK-6E	71000-553	Injection Valve, for 3/8" OD Tubing, EP, PVDF body, 1/2 psi
A-014NK-6A-T	71010-786	Injection Valve, for 3/8" OD Tubing, Aflas, PVDF body, 1/2 psi (PTFE Ball)
	71000-770	Injection Valve, 1/2" Barb Tubing, FKM, PVDF body, 2 psi
	71000-377	Injection Valve, 1/2" Barb Tubing, EP, PVDF body, 2 psi
	71000-985	Injection Valve, 1/2" MNPT, FKM, PVDF body, 2 psi (PTFE Ball)
	71000-767	Injection Valve, 1/2" MNPT, FKM, PVDF body, 2 psi
	71000-386	Injection Valve, 1/2" MNPT, EP, PVDF body, 2 psi
<b>INJECTION VALVES for CHEM-FEED</b>		
C-395N-6A	71000-536	Injection Valve, for 3/8" OD Tubing, Aflas, PP body, 6 psi
C-395N-6E	71000-538	Injection Valve, for 3/8" OD Tubing, EP, PP body, 6 psi
C-395NK-6A	71000-555	Injection Valve, for 3/8" OD Tubing, Aflas, PVDF body, 6 psi
C-395NK-6E	71000-557	Injection Valve, for 3/8" OD Tubing, EP, PVDF body, 6 psi
C-395NK-6A-PTFE	71010-318	Injection Valve, for 3/8" OD Tubing, Aflas, PVDF body, 6 psi (PTFE Ball)
	71000-579	Injection Valve, 1/2" Barb Tubing, FKM, PVDF body, 6 psi
	71000-580	Injection Valve, 1/2" Barb Tubing, EP, PVDF body, 6 psi
	71000-577	Injection Valve, 1/2" MNPT, FKM, PVDF body, 6 psi
	71000-578	Injection Valve, 1/2" MNPT, EP, PVDF body, 6 psi
	71001-004	Injection Valve, 1/2" MNPT, FKM, PVDF body, 6 psi (PTFE Ball)

Cat. No.	Part No.	Description
<b>T.I. FITTINGS</b>		
TI40-4V		T.I. for 1/4" OD for 1-1/4", 1-1/2", & 2" pipe
TI40-6V		T.I. for 3/8" OD for 1-1/4", 1-1/2", & 2" pipe
TI48-4V		T.I. for 1/4" OD for 2-1/2" pipe
TI48-6V		T.I. for 3/8" OD for 2-1/2" pipe
TI56-4V		T.I. for 1/4" OD for 3" pipe
TI56-6V		T.I. for 3/8" OD for 3" pipe
70000-484		T.I. for 1/4" OD for 3/4" or 1" pipe (no check valve)
70000-504		T.I. for 3/8" OD for 3/4" or 1" pipe (no check valve)
<b>FOOT VALVES AND INJECTORS FOR C-600HV PUMPS</b>		
C-3345B		Locknut for C-600HV Bulkhead Fitting
C-3373-10		Foot Strainer, 1/2" OD, C-600HV
C-3393-10		Combination Foot Strainer & Bulkhead, C-600HV series
<b>CHEM-FEED® HEAD-KIT</b>		
C-535K6-6		Complete Pump head kit w/diaphragm for C-600P
C-535K6-6-15N		Complete Pump head kit w/diaphragm for C-1500N
<b>CHEM-FEED® PUMPHEAD VALVES</b>		
K-568-6A		Complete 2-Valve Set (2 valves and fittings) FKM/Aflas
K-568-6E		Complete 2-Valve Set (2 valves and fittings) FKM/Afla
K-568A-4		Bullet cartridge valve insert, FKM/Aflas (4 pieces)
K-568A-10		Bullet cartridge valve insert, FKM/Aflas (10 pieces)
K-568E-4		Bullet cartridge valve insert, EP (4 pieces)
K-568E-10		Bullet cartridge valve insert, EP (4 pieces)
<b>CHEM-FEED® INDICATORS</b>		
70000-640		CFI Molded, glued to 5 ft., 3/8" tubing for car wash models
70000-838		CFI Molded, glued to 5 ft., 3/8" tubing
70000-618		CFI Molded, glued to 10 ft., 3/8" tubing
70000-700		CFI Molded, glued to 6.75 ft., 3/8" tubing for Star Systems
FI-100-4V		CFI for use with 1/4" OD tubing, glass bobbin
FI-100-6V		CFI for use with 3/8" OD tubing, glass bobbin
FI-100S-6V		CFI for use with 1/4" OD tubing, S.S. bobbin
FI-100K-4V		12 Pack Display Kit of FI-100-4V
FI-100K-6V		12 Pack Display Kit of FI-100-6V
FI-100KS-6V		12 Pack Display Kit of FI-100S-6V

Cat. No.	Part No.	Description
<b>FLOW INDICATORS</b>		
FI-100-8SV	71000-786	Flow Indicator, Acrylic Body, Ceramic Ball. 1/2" PVC Slip, FKM O-ring
FI-100-8SE	71000-829	Flow Indicator, Acrylic Body, Ceramic Ball. 1/2" PVC Slip, EP O-ring
FI-100-8MV	71000-787	Flow Indicator, Acrylic Body, Ceramic Ball. 1/2" MNPT, FKM O-ring
FI-100-8ME	71000-806	Flow Indicator, Acrylic Body, Ceramic Ball. 1/2" MNPT, EP O-ring
<b>TUBING</b>		
C-334-6	90008-116	Tubing, Suction, clear PVC 3/8" OD x 5 ft length
C-334-6-10	90008-097	Tubing, Suction, clear PVC 3/8" OD x 10 ft length
C-334-6-25	76000-942	Tubing, Suction, clear PVC 3/8" OD x 25 ft length
C-334-6-100	90008-119	Tubing, Suction, clear PVC 3/8" OD x 100 ft length
	76001-361	Tubing, Suction, clear PVC, 1/2" ID x 3/4" OD, 8 ft length
C-335-6	76000-168	Tubing, Discharge, polyethylene, 3/8" OD x 5 ft length
C-335-6-10	76000-374	Tubing, Discharge, polyethylene, 3/8" OD x 10 ft length
C-335-6-25	76000-977	Tubing, Discharge, polyethylene, 3/8" OD x 25 ft length
C-335-6-100	90008-091	Tubing, Discharge, polyethylene, 3/8" OD x 100 ft length
	90008-437	Tubing, Discharge, Clear Braided PVC, 1/2" ID x 3/4" OD.
<b>COMPRESSION NUTS and CLAMPS</b>		
C-330-6	90002-305	PVDF Compression Nut, FNPT Threaded
C-3330	90008-043	Hose Clamp, 316 SS, Screw Tightened
<b>QUICK DISCONNECT KITS</b>		
KIT-CQA		Quick Disconnect Kit for CD1 Pump, PVDF, Aflas
KIT-CQE		Quick Disconnect Kit for CD1 Pump, PVDF, EP
KIT-QSV		Quick Disconnect Kit for A2, A3 Pumps, 1/4" x 3/8" fitting "S", PVDF, FKM
KIT-QSE		Quick Disconnect Kit for A2, A3 Pumps, 1/4" x 3/8" fitting "S", PVDF, EP
KIT-QSA		Quick Disconnect Kit for A2, A3 Pumps, 1/4" x 3/8" fitting "S", PVDF, Aflas
KIT-QBV		Quick Disconnect Kit for A2, A3, A4 Pumps, 1/2" Hose Barb fitting "B", PVDF, FKM
KIT-QBE		Quick Disconnect Kit for A2, A3, A4 Pumps, 1/2" Hose Barb fitting "B", PVDF, EP
KIT-QBA		Quick Disconnect Kit for A2, A3, A4 Pumps, 1/2" Hose Barb fitting, "B", PVDF, Aflas
KIT-QMV		Quick Disconnect Kit for A2, A3, A4 Pumps, 1/2" MNPT fitting "M", PVDF, FKM
KIT-QME		Quick Disconnect Kit for A2, A3, 4 Pumps, 1/2" MNPT fitting "M", PVDF, EP
KIT-QMA		Quick Disconnect Kit for A2, A3, A4 Pumps, 1/2" MNPT fitting "M", PVDF, Aflas
<b>PUMP SHELF</b>		
KIT-PSM		Wall Mount Bracket, HDPE

Cat. No.	Part No.	Description
<b>POWER CORDS</b>		
	90010-663	Power Cord, 6 ft Detachable, 115V / 60Hz, power cord NEMA 5/15 plug (US)
	90010-664	Power Cord, 6 ft Detachable, 220V / 50HZ, power cord CEE 7/VI plug (EU)
	90010-665	Power Cord, 6 ft Detachable, 230V / 50HZ, power cord BS 1363/A plug (UK)
	90010-666	Power Cord, 6 ft Detachable, 240V / 50HZ, power cord AS 3112 plug (AU/New Zealand)
	90010-696	Power Cord, 6 ft Detachable, 230V / 60Hz, power cord NEMA 6/15 plug (US)
<b>M12 CABLES</b>		
KIT-M12		M12 Cable Assy, 10 ft, Qty 2
KIT-M12-2-5		M12 Cable Assy, 5 ft, Qty 2
KIT-M12-2-15		M12 Cable Assy, 15 ft, Qty 2
KIT-M12-2-30		M12 Cable Assy, 30 ft, Qty 2
KIT-M12-3		M12 Cable Assy, 10 ft, Qty 3
KIT-M12-3-5		M12 Cable Assy, 5 ft, Qty 3
KIT-M12-3-15		M12 Cable Assy, 15 ft, Qty 3
KIT-M12-3-30		M12 Cable Assy, 30 ft, Qty 3
KIT-M12-6		M12 Cable Assy, 10 ft, Qty 6
KIT-M12-6-5		M12 Cable Assy, 5 ft, Qty 6
KIT-M12-6-15		M12 Cable Assy, 15 ft, Qty 6
KIT-M12-6-30		M12 Cable Assy, 30 ft, Qty 6
<b>OTHER CABLES</b>		
KIT-DP3		Profibus Cable, M12, 3 ft
CABLE-UAC		USB A-C Cable

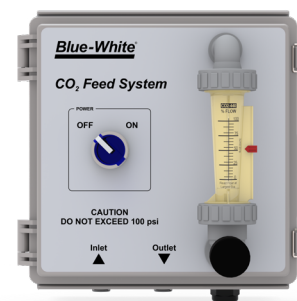
This page intentionally left blank.

# INDUSTRIAL CO<sub>2</sub> Feed System

**Blue-White**<sup>®</sup>

# CO<sub>2</sub> Feed System

- Safe Alternative to Acid Feed for pH Control
- Accurate and Reliable Flowmeter for Precise Feed
- Illuminated On/Off Switch
- Stainless Steel Solenoid Valve
- Easy Push Connectors for Tubing Connection



## Highlights

### CO<sub>2</sub> Flow Ranges

0-80 scfh  
30-350 scfh

### Flowmeter

Accurate Polysulfone  
Blue-White Rotameter

### Solenoid Valve

Stainless Steel

### Enclosure

Nema 4X

### Injector / Eductor

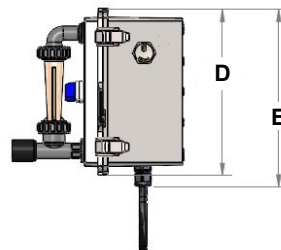
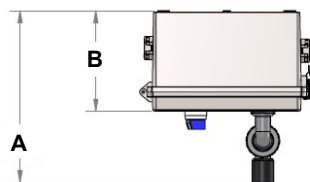
Effective Dissolution

### Warranty

1 Year

## Dimensions

Dim	Inch	cm
A	8.91"	22.6
B	5.21"	13.2
C	8.94"	22.7
D	8.60"	21.8
E	9.19"	23.3



## What's in the box

CO<sub>2</sub> Feed System with 6 ft power cord  
Tubing - 10' length (3/8" OD, 1/4" ID)  
Instruction manual





# Model Number Matrix

CO2

## Model Number

<b>CO2</b>	CO <sub>2</sub> Feed System			
<b>Series Control Options</b>				
<b>X</b>	Manual / Local Control Only			
<b>Power Cord (operating voltage user selectable 115V/240 VAC 50/60Hz)</b>				
<b>4</b>	115V / 60Hz, power cord NEMA 5/15 plug (US)			
<b>Options</b>				
<b>X</b>	No option selected			
<b>CO2</b>	<b>X</b>	<b>4</b>	<b>X</b>	<b>Sample Model Number</b>

## Accessories



**Injector / Diffuser**  
CO2-DCV




**EDUCTOR, 3/4" MNPT**  
CO2-EDU



**Pressure Regulator**  
CO2-REG



**2-Cylinder Switchover**  
CO2-SM2



**4-Cylinder Switchover**  
CO2-SM4



**20 lb Aluminum Cylinder**  
CO2-T20



**50 lb Aluminum Cylinder**  
CO2-T50



**Diffusor Filter Element**  
CO2-DIF



**CO<sub>2</sub> Pre-heater, 120 VAC**  
CO2-HTR

# CO<sub>2</sub> FEED SYSTEM WARRANTY

## LIMITED WARRANTY

Your Blue-White product is a quality product and is warranted for a specific time from date of purchase (proof of purchase is required). The product will be repaired or replaced at our discretion. Failure must have occurred due to defect in material or workmanship and not as a result of operation of the product other than in normal operation as defined in the product manual. Warranty status is determined by the product's serial label and the sales invoice or receipt. The serial label must be on the product and legible. The warranty status of the product will be verified by Blue-White or a factory authorized service center.

CO<sub>2</sub> Feed Systems are warranted for 1 year from date of purchase (proof of purchase is required). The system will be repaired or replaced at our discretion.

## WHAT IS NOT COVERED

- Freight to the factory, or service center.
- Products that have been tampered with, or in pieces.
- Damage resulting from misuse, carelessness such as chemical spills on the enclosure, abuse, lack of maintenance, or alteration which is out of our control.
- Damage by faulty wiring, power surges or acts of nature.
- Damage damage that occurs as a result of: meter misalignment, improper installation, over tightening, use of non-recommended chemicals, use of nonrecommended adhesives or pipe dopes, excessive heat or pressure, or allowing the meter to support the weight of related piping.

BLUE-WHITE does not assume responsibility for any loss, damage, or expense directly or indirectly related to or arising out of the use of its products. Failure must have occurred due to defect in material or workmanship and not as a result of operation of the product other than in normal operation as defined in the manual.

Warranty status is determined by the product's serial label and the sales invoice or receipt. The serial label must be on the product and legible. The warranty status will be verified by Blue-White or a factory authorized service center.

## PROCEDURE FOR IN WARRANTY REPAIR

Warranty service must be performed by the factory or an authorized service center. Contact the factory or local repair center to obtain a RMA (Return Material Authorization) number. It is recommended to include foot strainer and injection/check valve fitting since these devices may be clogged and part of the problem. Decontaminate, dry, and carefully pack the product to be repaired. Please enclose a brief description of the problem and proof of purchase. Prepay all shipping and insurance cost. COD shipments will not be accepted. Damage caused by improper packaging is the responsibility of the sender. When In-Warranty repair is completed, the factory pays for return shipping to the dealer or customer.

## PRODUCT USE WARNING

Blue-White products are manufactured to meet the highest quality standards in the industry. Each product instruction manual includes a description of the associated product warranty and provides the user with important safety information. Purchasers, installers, and operators of Blue-White products should take the time to inform themselves about the safe operation of these products. In addition, Customers are expected to do their own due diligence regarding which products and materials are best suited for their intended applications. BLUE-WHITE is pleased to assist in this effort but does not guarantee the suitability of any particular product for any specific application as Blue-White does not have the same degree of familiarity with the application that the customer/end user has. While BLUE-WHITE will honor all of its product warranties according to their terms and conditions, Blue-White shall only be obligated to repair or replace its defective parts or products in accordance with the associated product warranties.

**BLUE-WHITE SHALL NOT BE LIABLE EITHER IN TORT OR IN CONTRACT FOR ANY LOSS OR DAMAGE WHETHER DIRECT, INDIRECT, INCIDENTAL, OR CONSEQUENTIAL, ARISING OUT OF OR RELATED TO THE FAILURE OF ANY OF ITS PARTS OR PRODUCTS OR OF THEIR NONSUITABILITY FOR A GIVEN PURPOSE OR APPLICATION.**

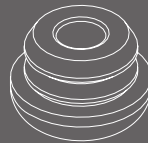
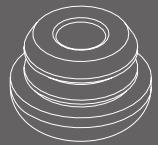
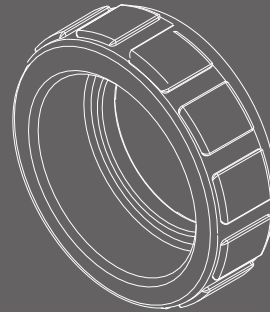
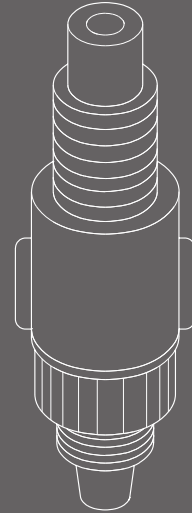
## CHEMICAL RESISTANCE WARNING

BLUE-WHITE offers a wide variety of wetted parts. Purchasers, installers, and operators of Blue-White products must be well informed and aware of the precautions to be taken when injecting or measuring various chemicals, especially those considered to be irritants, contaminants or hazardous. Customers are expected to do their own due diligence regarding which products and materials are best suited for their applications, particularly as it may relate to the potential effects of certain chemicals on Blue-White products and the potential for adverse chemical interactions. Blue-White tests its products with water only. The chemical resistance information included in this instruction manual was supplied to BLUE-WHITE by reputable sources, but Blue-White is not able to vouch for the accuracy or completeness thereof. While BLUE-WHITE will honor all of its product warranties according to their terms and conditions, Blue-White shall only be obligated to repair or replace its defective parts or products in accordance with the associated product warranties.

**BLUE-WHITE SHALL NOT BE LIABLE EITHER IN TORT OR IN CONTRACT FOR ANY LOSS OR DAMAGE, WHETHER DIRECT, INDIRECT, INCIDENTAL, OR CONSEQUENTIAL, ARISING OUT OF OR RELATED TO THE USE OF CHEMICALS IN CONNECTION WITH ANY BLUE-WHITE PRODUCTS.**

Users of electrical and electronic equipment (EEE) with the WEEE marking per Annex IV of the WEEE Directive must not dispose of end of life EEE as unsorted municipal waste, but use the collection framework available to them for the return, recycle, recovery of WEEE and minimize any potential effects of EEE on the environment and human health due to the presence of hazardous substances. The WEEE marking applies only to countries within the European Union (EU) and Norway. Appliances are labeled in accordance with European Directive 2002/96/EC. Contact your local waste recovery agency for a Designated Collection Facility in your area.

# INDUSTRIAL Replacement Parts

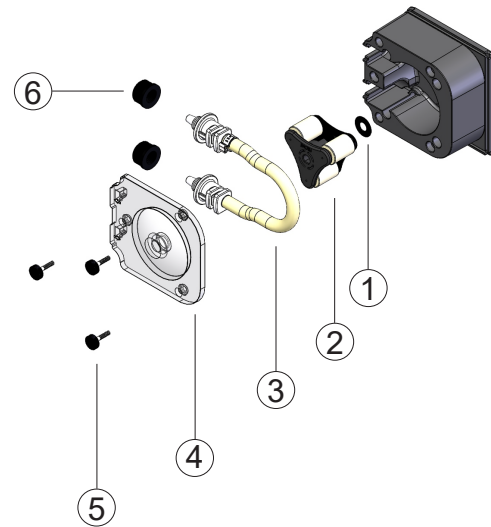


**Blue-White**<sup>®</sup>

## A1 Replacement Parts

Pump Head Components	Part No.	QTY Req'd
<b>1</b> Spacer, back	90011-014	1
<b>2</b> Complete Roller Assembly*		1
A1-1T / A1-2T / A1-3T / A1-7T	71000-350	
A1-4T / A1-6T	71000-159	
A1-5T / A1-8T	71000-255	
<b>3</b> Tubing ( <b>Reference Tubing Matrix</b> )		1
<b>4</b> Pump Head Cover	90002-185	1
<b>5</b> Thumb screw with 9/64" key drive	90011-160	3
<b>6</b> Tube nut, compression, for 3/8" tubing**	C-330-6	2

\*Rollers are specific to tube being used. See next page for complete tube part numbers.



\*Pump Head not for sale. For more information please contact a local sales representative.

## FLEXFLO® Model Number

**A1** Tubing

### Pump Tube Size and Material

<b>1</b>	Flex-A-Thane® 1/4" OD
<b>2</b>	Flex-A-Thane® 3/8" OD
<b>3</b>	Flex-A-Thane® 7/16" OD
<b>4</b>	Flex-A-Prene® 1/4" OD
<b>5</b>	FKM 5/16" OD
<b>6</b>	Flex-A-Prene® 3/8" OD
<b>7</b>	Flex-A-Prene® 7/16" OD
<b>8</b>	Flex-A-Chem® 7/16" OD

### Inlet/Outlet Connection Size, Connection Type

<b>T</b>	3/8" OD x 1/4" Tube Compression Fitting, Natural PVDF (Kynar)
<b>M</b>	1/2" Male NPT Fitting, Natural PVDF (Kynar)
<b>MB</b>	1/2" Male BSPT Fitting, Natural PVDF (Kynar)

**A1 - 1 T** Tube Sample Model Number

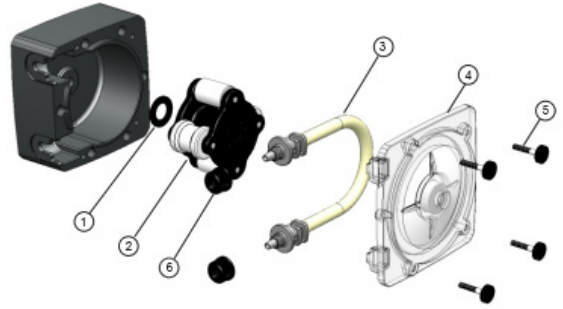
## Output Specifications

Tube Material / Size	Feed Rate			Max Pressure	Max Temperature
	GPH	LPH	mL/Min	PSI (bar)	°F (°C)
<b>Flex-A-Thane® Tube</b>					
1	Up to 1.09	Up to 4.13	Up to 68.8	65 (4.50)	130 (54)
2	Up to 2.27	Up to 8.63	Up to 143.8	65 (4.50)	130 (54)
3	Up to 5.60	Up to 21.2	Up to 353.3	50 (3.45)	130 (54)
<b>Flex-A-Prene® Tube</b>					
4	Up to .44	Up to 1.68	Up to 28.0	100 (6.89)	185 (85)
6	Up to 1.35	Up to 5.14	Up to 85.2	100 (6.89)	185 (85)
7	Up to 4.17	Up to 15.8	Up to 263.1	50 (3.45)	185 (85)
<b>Flex-A-Chem® Tube</b>					
8	Up to 3.09	Up to 11.7	Up to 195.0	50 (3.45)	130 (54)

## A2 Replacement Parts

Pump Head Components		Part No.	QTY Req'd
<b>1</b>	Spacer	90011-217	1
<b>2</b>	Complete Roller Assembly		1
	ND	A2-SND-R	
	NEE / NGG	A2-SNGG-R	
	TH	A2-STH-R	
	GE / GG / G2G / GH	A2-SGE-R	
<b>3</b>	Tubing ( <b>Reference Tubing Matrix</b> )		1
<b>4</b>	Pump Head Cover	A2-SXX-C	1
<b>5</b>	Thumb Screws	90011-183	4
<b>6</b>	Tube Nut, Compression 3/8" Tubing*	C-330-6	2

\*Tube nuts for 'S' type tubing only



\*Pump Head not for sale. For more information please contact a local sales representative.

Quick Disconnect Fittings*		Part No.	QTY Req'd
<b>7</b>	Quick Disconnect		1
	.50" Barb FKM	KIT-QBV	
	.50" Barb EP	KIT-QBE	
	.50" Barb Aflas	KIT-QBA	
	.50" M/NPT FKM	KIT-QMV	
	.50" M/NPT EP	KIT-QME	
	.50" M/NPT Aflas	KIT-QMA	
	3/8" OD, 1/4" ID Tube Compression, FKM	KIT-QSV	
	3/8" OD, 1/4" ID Tube Compression, EP	KIT-QSE	
	3/8" OD, 1/4" ID Tube Compression, Aflas	KIT-SQA	

\*Only available for Q tubes



7

Miscellaneous Parts*		Part No.	QTY Req'd
<b>A</b>	Stainless Steel Mounting Bracket	72000-379	1
<b>B</b>	Stainless Steel Mounting Bracket (Extended)	72000-380	1
<b>C</b>	Rubber Feet	90003-561	4
<b>D</b>	Tube Installation Tool	90002-278	1

\*Sold Separately



A



B



C



D

## FLEXFLO® Model Number

<b>A2</b>	Tubing	<b>\$79</b>				
<b>Inlet/Outlet Connection Size, Connection Type, Connection Material</b>						
<b>S</b>	3/8" OD x 1/4" ID Tube Compression Fitting, Natural PVDF (Kynar)					
<b>M</b>	1/2" Male NPT Fitting, Natural PVDF (Kynar)					
<b>B</b>	1/2" Hose Barb, Natural PVDF (Kynar), available for ND, NEE, NGG, and G2G only					
<b>C</b>	1/2" - 3/4" Tri-clamp connections, Natural PVDF (Kynar), available for ND, NEE, NGG, and G2G only					
<b>Q</b>	Quick Disconnect, Natural PVDF (Kynar), available for ND, NEE, NGG, and G2G only (valves sold separately)					
<b>MB</b>	1/2" Male BSPT Fitting, Natural PVDF (Kynar)					
<b>Pump Tube Material, Pump Tube Size</b>						
<b>GE</b>	Flex-A-Thane® .125 ID	<b>ND</b>	Flex-A-Prene® .075 ID			
<b>GG</b>	Flex-A-Thane® .187 ID	<b>NEE</b>	Flex-A-Prene® .093 ID			
<b>G2G</b>	Flex-A-Thane® .187 ID (dual tube)	<b>NGG</b>	Flex-A-Prene® .187 ID			
<b>GH</b>	Flex-A-Thane® .312 ID	<b>TH</b>	Flex-A-Chem® .250 ID			
<b>A2</b>	-	<b>S</b>	<b>GE</b>	-	<b>T</b>	<b>Tube Sample Model Number</b>

## Output Specifications

Tube Material / Size	Feed Rate			Max Pressure	Max Temperature
	GPH	LPH	mL/Min	PSI (bar)	°F (°C)
<b>Flex-A-Thane® Tube</b>					
GE	Up to 4.0	Up to 15.2	Up to 253	65 (4.50)	130 (54)
GG	Up to 9.3	Up to 35.2	Up to 587	65 (4.50)	130 (54)
G2G	Up to 14.98	Up to 56.7	Up to 945	65 (4.50)	130 (54)
GH	Up to 21.23	Up to 80.4	Up to 1340	65 (4.50)	130 (54)
<b>Flex-A-Prene® Tube</b>					
ND	Up to 1.7	Up to 6.5	Up to 108	125 (8.60)	185 (85)
NEE	Up to 4.4	Up to 16.8	Up to 280	110 (7.60)	185 (85)
NGG	Up to 17.2	Up to 65	Up to 1085	110 (7.60)	185 (85)
<b>Flex-A-Chem® Tube</b>					
TH	Up to 14.3	Up to 54	Up to 900	50 (3.45)	130 (54)

## A3 Replacement Parts

Pump Head Components		Part No.	QTY Req'd
<b>1</b>	Spacer	90011-184	1
<b>2</b>	Complete Roller Assembly		1
	GE / GG / G2G / GH / GK	A3-SGE-R	
	ND	A3-SND-R	
	TH / NKL	A3-STH-R	
	NGG / NK / NHL / NEE / TK	A3-SNGG-R	
<b>3</b>	Tubing ( <b>Reference Tubing Matrix</b> )		1
<b>4</b>	Pump Head Cover	A3-SXX-C	1
<b>5</b>	Thumb Screws	90011-183	4
<b>6</b>	Tube Nut, Compression, For 3/8" Tubing*	C-330-6	2

\*Tube notes for 'S' type tubing only

Quick Disconnect Fittings*		Part No.	QTY Req'd
<b>7</b>	Quick Disconnect Fittings		1
	.50" M/NPT FKM	KIT-QMV	
	.50" M/NPT EP	KIT-QME	
	.50" M/NPT Aflas	KIT-QMA	
	.50" Barb FKM	KIT-QBV	
	.50" Barb EP	KIT-QBE	
	.50" Barb Aflas	KIT-QBA	
	3/8" OD, 1/4" ID Tube Compression, FKM	KIT-QSV	
	3/8" OD, 1/4" ID Tube Compression, EP	KIT-QSE	
	3/8" OD, 1/4" ID Tube Compression, Aflas	KIT-QSA	

\*Only available for Q tubes

Miscellaneous Parts*		Part No.	QTY Req'd
<b>A</b>	Stainless Steel Mounting Bracket	72000-379	1
<b>B</b>	Stainless Steel Mounting Bracket (Extended)	72000-380	1
<b>C</b>	Rubber Feet	90003-561	4
<b>D</b>	Tube Installation Tool	90002-278	1

\*Sold Separately



**A**



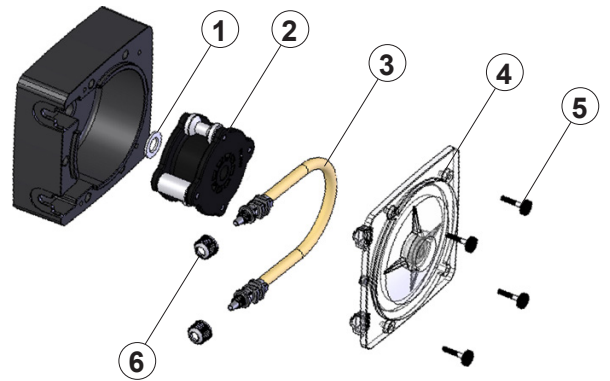
**B**



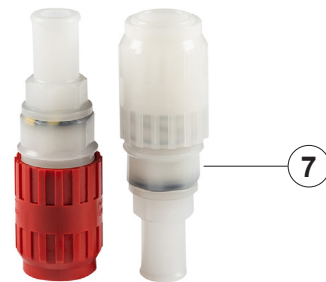
**C**



**D**



\* Pump Head not for sale.  
For more information please contact a local sales representative.



**7**



## FLEXFLO® Model Number

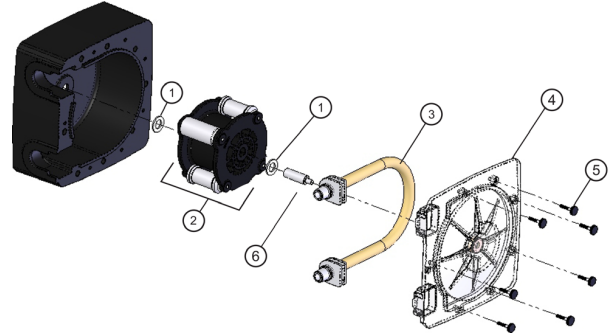
<b>A3</b>	Tubing					
<b>Inlet/Outlet Connection Size, Connection Type, Connection Material</b>						
<b>S</b>	3/8" OD x 1/4" ID Tube Compression Fitting, Natural PVDF (Kynar)					
<b>M</b>	1/2" Male NPT Fitting, Natural PVDF (Kynar)					
<b>B</b>	1/2" Hose Barb, Natural PVDF (Kynar), available for ND, NEE, NGG, NKL and G2G only					
<b>C</b>	1/2" - 3/4" Tri-clamp connections, Natural PVDF (Kynar), available for ND, NEE, NGG, NKL and G2G only					
<b>Q</b>	Quick Disconnect, Natural PVDF (Kynar), available for ND, NEE, NGG, NKL, and G2G only (valves sold separately)					
<b>MB</b>	1/2" Male BSPT Fitting, Natural PVDF (Kynar)					
<b>Pump Tube Material, Pump Tube Size, Output Range</b>						
<b>ND</b>	Flex-A-Prene® .075 ID	<b>NKL</b>	Flex-A-Prene® .375 ID	<b>G2G</b>	Flex-A-Thane® .187 ID (dual tube)	
<b>NEE</b>	Flex-A-Prene® .093 ID	<b>GE</b>	Flex-A-Thane® .125 ID	<b>TH</b>	Flex-A-Chem® .250 ID	
<b>NGG</b>	Flex-A-Prene® .187 ID	<b>GG</b>	Flex-A-Thane® .187 ID	<b>TK</b>	Flex-A-Chem® .375 ID	
<b>NHL</b>	Flex-A-Prene® .250 ID	<b>GH</b>	Flex-A-Thane® .312 ID			
<b>NK</b>	Flex-A-Prene® .375 ID	<b>GK</b>	Flex-A-Thane® .375 ID			
<b>A3</b>	-	<b>S</b>	<b>ND</b>	-	<b>T</b>	Sample Model Number

## Output Specifications

Tube Material / Size	Feed Rate			Max Speed	Max Pressure	Max Temperature
	GPH	LPH	mL/Min	RPM	PSI (bar)	°F (°C)
<b>Flex-A-Thane® Tube</b>						
GE	Up to 4.60	Up to 17.4	Up to 290	125	65 (4.5)	130 (54)
GG	Up to 10.1	Up to 38.4	Up to 637	125	65 (4.5)	130 (54)
G2G	Up to 18.23	Up to 69.0	Up to 637	125	65 (4.5)	130 (54)
GH	Up to 24.9	Up to 94.2	Up to 1150	125	65 (4.5)	130 (54)
GK	Up to 28.5	Up to 108	Up to 1800	125	65 (4.5)	130 (54)
<b>Flex-A-Prene® Tube</b>						
ND	Up to 2.10	Up to 7.92	Up to 132	125	125 (8.6)	185 (85)
NHL	Up to 17.4	Up to 65.8	Up to 1097	125	65 (4.5)	185 (85)
NK	Up to 33.3	Up to 126	Up to 2100	125	125 (8.6)	185 (85)
NKL	Up to 33.3	Up to 126	Up to 2100	125	30 (2.1)	185 (85)
NEE	Up to 4.76	Up to 18.0	Up to 300	125	110 (7.6)	185 (85)
NGG	Up to 19.0	Up to 72.0	Up to 1200	125	110 (7.6)	185 (85)
<b>Flex-A-Chem® Tube</b>						
TH	Up to 15.1	Up to 57.0	Up to 950	125	50 (3.4)	130 (54)
TK	Up to 28.5	Up to 108	Up to 1800	125	50 (3.4)	130 (54)

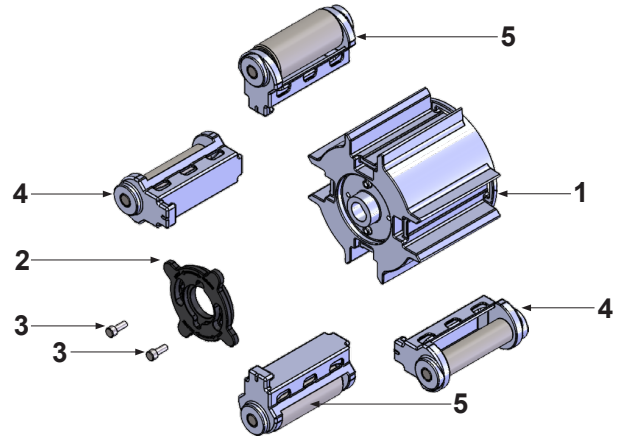
# A4 Replacement Parts

Pump Head Components		Part No.	QTY Req'd
<b>1</b>	Spacer	90011-217	2
<b>2</b>	Complete Roller Assembly		1
	NL / NP	A4-MNL-R	
	TH / TK / TKK / THH	A4-MTH-R	
	NH / NK / NHH / NHL / NHHL	A4-MNH-R	
	NKL / NKKL	A4-MNKL-R	
	GH / GK / GKK	A4-MGH-R	
<b>3</b>	Tubing (Reference Tubing Matrix)		1
<b>4</b>	Pump Head Cover	A4-SXX-C	1
<b>5</b>	Thumb Screws	90011-183	8
<b>6</b>	Shaft Extension	90007-128	1



\*Pump Head not for sale. For more information please contact a local sales representative.

Roller Assembly Parts		Part No.	QTY Req'd
<b>1</b>	A4 ROTOR BODY	76010-042	1
<b>2</b>	SPIDER RING	76002-038	1
<b>3</b>	10-32 CAPTIVE SCREW	90011-267	2
	A4 ROTOR ASSY (1,2, and 3)	71010-799	1
<b>4</b>	ARM ROLLER GUIDE ASSY	71010-771	2
<b>5</b>	ARM ROLLER		
	NL / NP	71010-766	2
	TH / TK / TKL / THH	71010-767	2
	NH / NK / NHH / NHL / NHHL	71010-768	2
	NKL / NKKL	71010-769	2
	GH / GHH / GK /GKK	71010-770	2



Quick Disconnect Fittings*		Part No.	QTY Req'd
<b>6</b>	Quick Disconnect Fittings		1
	.50" M/NPT FKM	KIT-QMV	
	.50" M/NPT EP	KIT-QME	
	.50" M/NPT Aflas	KIT-QMA	
	.50" Barb FKM	KIT-QBV	
	.50" Barb EP	KIT-QBE	
	.50" Barb Aflas	KIT-QBA	



**6**

\*For use only with "Q" style tubes

Miscellaneous Parts*		Part No.	QTY Req'd
<b>A</b>	Stainless Steel Mounting Bracket	72000-379	1
<b>B</b>	Stainless Steel Mounting Bracket (Extended)	72000-380	1
<b>C</b>	Rubber Feet	90003-561	1
<b>D</b>	Tube Installation Tool	90002-278	1

\*Sold Separately



**A**



**B**



**C**



**D**

## FLEXFLO® Model Number

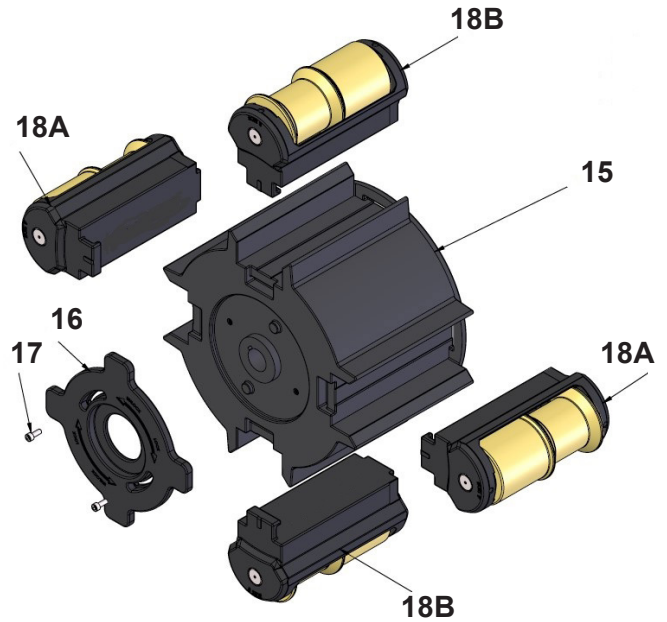
<b>A4</b>	Tubing					
<b>Inlet/Outlet Connection Size, Connection Type, Connection Material</b>						
<b>M</b>	1/2" Male NPT Fitting, Natural PVDF (Kynar)					
<b>B</b>	1/2" ID Tubing Barb Fitting, Natural PVDF (Kynar)					
<b>Q</b>	Quick Disconnect, Natural PVDF (Kynar). NP flow rate reduced 16.5% with Quick Disconnect connections (Valves sold separately)					
<b>C</b>	1/2" - 3/4" Tri-clamp connections, Natural PVDF (Kynar)					
<b>MB</b>	1/2" Male BSPT Fitting, Natural PVDF (Kynar)					
<b>Pump Tube Material, Pump Tube Size</b>						
<b>GH</b>	Flex-A-Thane® .312 ID	<b>NHHL</b>	Flex-A-Prene® .250 ID (Dual Tube)			
<b>GHH</b>	Flex-A-Thane® .312 ID (Dual Tube)	<b>NKK</b>	Flex-A-Prene® .375 ID			
<b>GK</b>	Flex-A-Thane® .375 ID	<b>NL</b>	Flex-A-Prene® .500 ID			
<b>GKK</b>	Flex-A-Thane® .375 ID (Dual Tube)	<b>NP</b>	Flex-A-Prene® .750 ID			
<b>NH</b>	Flex-A-Prene® .250 ID	<b>TH</b>	Flex-A-Chem® .250 ID			
<b>NHL</b>	Flex-A-Prene® .250 ID	<b>TK</b>	Flex-A-Chem® .375 ID			
<b>NHH</b>	Flex-A-Prene® .250 ID (Dual Tube)	<b>TKK</b>	Flex-A-Chem® .375 ID (Dual Tube)			
<b>A4</b>	-	<b>M</b>	<b>NH</b>	-	<b>T</b>	<b>Tube Sample Model Number</b>

## Output Specifications

Tube Material / Size	Feed Rate			Max Speed	Max Pressure	Max Temperature
	GPH	LPH	mL/Min	RPM	PSI (bar)	°F (°C)
<b>Flex-A-Thane® Tube</b>						
GH	Up to 39.6	Up to 150	Up to 2500	125	65 (4.5)	130 (54)
GHH	Up to 71.0	Up to 268	Up to 4479	125	65 (4.5)	130 (54)
GK	Up to 55.5	Up to 210	Up to 3500	125	65 (4.5)	130 (54)
GKK	Up to 100	Up to 378	Up to 6300	125	65 (4.5)	130 (54)
<b>Flex-A-Prene® Tube</b>						
NH	Up to 28.5	Up to 108	Up to 1800	125	125 (8.6)	185 (85)
NHL	Up to 28.5	Up to 108	Up to 1800	125	65 (4.5)	185 (85)
NHH	Up to 54.0	Up to 204	Up to 3400	125	100 (6.9)	185 (85)
NHHL	Up to 54.0	Up to 204	Up to 3400	125	65 (4.5)	185 (85)
NK	Up to 50.7	Up to 192	Up to 3200	125	80 (5.5)	185 (85)
NL	Up to 100	Up to 378	Up to 6300	125	50 (3.4)	185 (85)
NP	Up to 158.5	Up to 600	Up to 10000	125	30 (2.1)	185 (85)
<b>Flex-A-Chem® Tube</b>						
TH	Up to 25.4	Up to 96	Up to 1603	125	30 (2.1)	130 (54)
TK	Up to 54.0	Up to 204	Up to 3400	125	30 (2.1)	130 (54)
TKK	Up to 126	Up to 477	Up to 8000	125	30 (2.1)	130 (54)

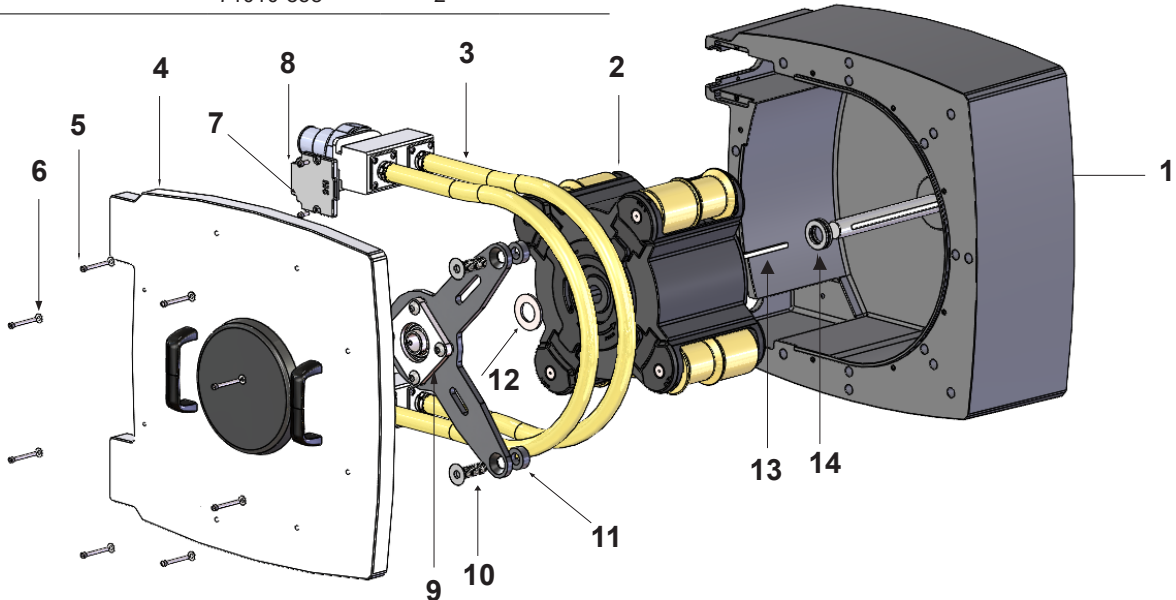
## A5 Replacement Parts

Pump Head Components		Part No.	QTY Req'd	Price Per
1	Pump Head	Contact Factory	1	N/A
2	Complete Roller Assembly		1	
	NPP	A5-MNPP-R		
	NLL	A5-MNLL-R		
	NHHL	A5-MNHHL-R		
	GKK	A5-MGKK-R		
3	Tubing (Reference Tubing Matrix)		1	
4	Pump Head Cover	A5-SXX-C	1	
5	Screw, Cover	90011-149	8	
6	Washer, Cover	90011-094	8	
7	Tube Adapter Cover	76002-102	2	
8	Screw	90011-150	2	
9	"V" Bracket Bearing Assy	71010-947	1	
10	Screw, "V" Bracket	90011-303	2	
11	Spacer, "V" Bracket	90007-686	2	
12	Washer	90011-320	1	
13	Key Motor	76010-101	1	
14	Washer	90004-027	1	



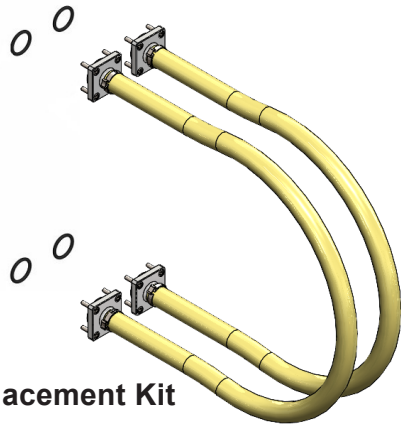
**Roller Body Assembly**

Roller Assembly Parts		Part No.	QTY Req'd	Price Per
15	A5 ROTOR BODY	76010-061	1	
16	SPIDER RING	76002-077	1	
17	SPIDER SCREW	90011-267	2	
18	ARM ROLLER			
	NPP Side A	71010-853	2	
	NPP Side B	71010-854	2	
	NLL Side A	71010-859	2	
	NLL Side B	71010-860	2	
	NHHL Side A	71010-855	2	
	NHHL Side B	71010-856	2	
	GKK Side A	71010-857	2	
	GKK Side B	71010-858	2	

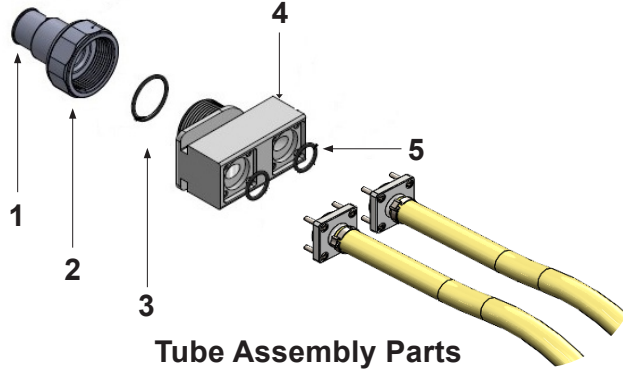


## FLEXFLO® Model Number

<b>A5</b>	Tubing						
<b>Inlet/Outlet Connection Size, Connection Type, Connection Material</b>							
<b>M</b>	1.5" Male NPT Fitting, Polypropylene						
<b>B</b>	1.5" ID Tubing Barb Fitting, Polypropylene						
<b>Pump Tube Material, Pump Tube Size</b>							
<b>NPP</b>	Flex-A-Prene® .750 ID (Dual Tube)						
<b>NLL</b>	Flex-A-Prene® .500 ID (Dual Tube)						
<b>NHHL</b>	Flex-A-Prene® .250 ID (Dual Tube)						
<b>GKK</b>	Flex-A-Thane® .375 ID (Dual Tube)						
<b>O-Ring Options</b>							
<b>V</b>	Aflas						
<b>E</b>	EPDM						
<b>A5</b>	<b>-</b>	<b>M</b>	<b>NPP</b>	<b>-</b>	<b>T</b>	<b>V</b>	<b>Tube Sample Model Number (Complete tube assembly with tubes, adapter body, and fittings.)</b>



**Tube Replacement Kit**



**Tube Assembly Parts**

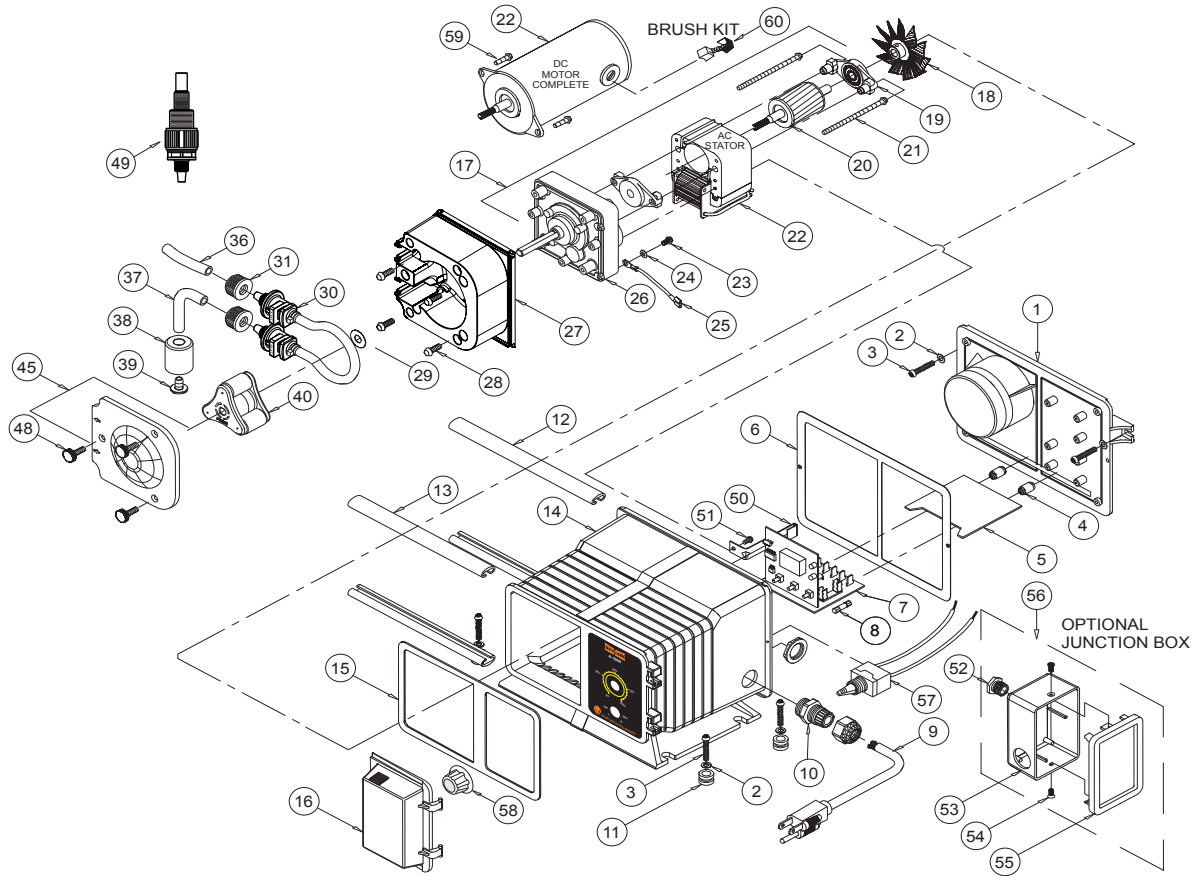
### Tube Replacement Kits (includes 2 assembled tubes with clamps and barbs, O-rings, and screws.)

A5-XNPP-TV	NPP Tubes, Aflas O-Rings
A5-XNPP-TE	NPP Tubes, EP O-Rings
A5-XNLL-TV	NLL Tubes, Aflas O-Rings
A5-XNLL-TE	NLL Tubes, EP O-Rings
A5-XNHHL-TV	NHHL Tubes, Aflas O-Rings
A5-XNHHL-TE	NHHL Tubes, EP O-Rings
A5-XGKK-TV	GKK Tubes, Aflas O-Rings
A5-XGKK-TE	GKK Tubes, EP O-Rings

### Tube Assembly Parts

<b>1</b>	76010-064	1.5" M/NPT Fitting (2 req.)
	76010-065	1.5" Barb Fitting (2 req.)
<b>2</b>	76010-066	5 Series Union Nut (2 req.)
<b>3</b>	90003-640	O-Ring, Aflas (2 req.)
	90003-641	O-Ring, EP (2 req.)
<b>4</b>	76010-067	Adapter Body (2 req.)
<b>5</b>	90003-642	O-Ring, Aflas (4 req.)
	90003-645	O-Ring, EP (4 req.)

## A-100N Replacement Parts



Item	Part No.	Product Name	Qty. Req.
<b>1</b>	71000-214	Enclosure Back With Gasket,	1
<b>2</b>	90011-094	Washer, #10 Stainless	2
<b>3</b>	90011-091	Screw, #10 X 1.0" Phillips Steel	4
<b>6</b>	90006-580	Gasket, Back Plate, Neoprene	1
<b>7</b>	A-023N-B	Percent timer (60 Sec), A-100NA	1
	A-023N-H	Percent timer (5 Sec), A-100NC	1
	C-1817N-1	Speed Cntrl, A-100NF, 115V60	1
	C-1817N-4	Speed Cntrl, A-100NF, 220V50	1
	C-1817N-5	Speed Cntrl, A-100NF, 230V60	1
<b>N/S</b>	90010-036	Wire Nut, Blue	4
<b>N/S</b>	90010-037	Wire Nut, Orange	1
<b>N/S</b>	76001-030	Lead Wire, Blu/white, 115v	1
<b>N/S</b>	76001-031	Lead Wire, Red/white, 230v	1
<b>N/S</b>	76001-032	Lead Wire, Brn/white, 220v	1
<b>N/S</b>	76001-033	Lead Wire, Yellow, 220v	1
<b>N/S</b>	76001-034	Lead Wire, Black, 115v	1

Item	Part No.	Product Name	Qty. Req.
<b>9</b>	90010-110	Power Cord, 115v60hz,	1
	90010-196	Power Cord, 220v50hz,	1
	90010-133	Power Cord, 230v60hz,	1
<b>10</b>	A-033N	Cord Inlet Bushing	1
<b>11</b>	90003-559	Mounting Feet, Rubber	4
<b>12</b>	76001-000	Slide Clamp, Enclosure Rear	1
<b>13</b>	76000-999	Slide Clamp, Enclosure Front	1
<b>14</b>	71000-187	Enclosure Model C,F w/cord	1
	71000-188	Enclosure Model X w/cord	1
	71000-429	Enclosure Model E w/J-Box	1
	71000-494	Enclosure Model V w/J-Box	1
<b>15</b>	90006-579	Gasket, Enclosure Front, Neoprene	1
<b>16</b>	90002-191	Door, Electronic Controls Cover	1
<b>17</b>	70002-146	Gearmotor, 14 Rpm, 115v60hz	1
	70002-147	Gearmotor, 30 Rpm, 115v60hz	1

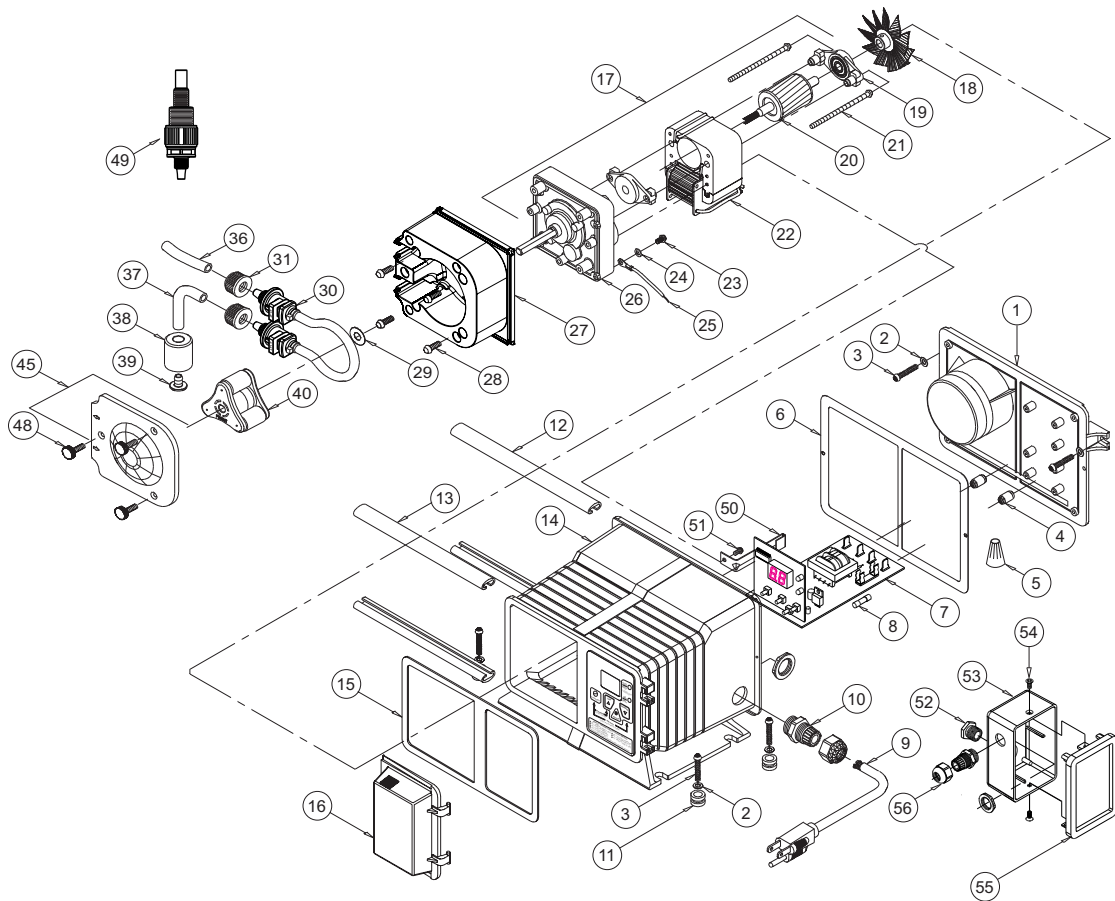


## A-100N Replacement Parts

Item	Part No.	Product Name	Qty. Req.
	70002-156	Gearmotor, 45 Rpm, 115v60hz	1
	70002-159	Gearmotor, 60 Rpm, 115v60hz	1
	70002-148	Gearmotor, 14 Rpm, 220v50hz	1
	70002-149	Gearmotor, 30 Rpm, 220v50hz	1
	70002-157	Gearmotor, 45 Rpm, 220v50hz	1
	70002-160	Gearmotor, 60 Rpm, 220v50hz	1
	70002-150	Gearmotor, 14 Rpm, 230v60hz	1
	70002-151	Gearmotor, 30 Rpm, 230v60hz	1
	70002-158	Gearmotor, 45 Rpm, 230v60hz	1
	70002-161	Gearmotor, 60 Rpm, 230v60hz	1
	70002-241	G/motor, V/S 14Rpm, 90VDC	1
	70002-242	G/motor, V/S 30Rpm, 90VDC	1
	70002-243	G/motor, V/S 45Rpm, 90VDC	1
	70002-244	G/motor, V/S 60Rpm, 90VDC	1
<b>18</b>	90006-581	Fan, Motor, 2.25" Diameter	1
<b>19</b>	C-612PB	Bearing Bracket With Bearing	2
<b>20</b>	C-616PN	Rotor 14, 30RPM With Spacers	1
	C-616PN-32	Rotor 45, 60RPM With Spacers	1
<b>21</b>	C-625	Screw, Motor, 14, 30RPM Phil	2
	C-621-32	Screw, Motor, 45, 60RPM Phil	2
<b>22</b>	71000-211	Stator 14/30RPM, 115v Blu/Yel	1
	71000-213	Stator 14/30RPM, 220v Brnt/yel	1
	71000-212	Stator 14/30RPM, 230v Red/Yel	1
	71000-466	Stator 45/60RPM, 115v Blut/Yel	1
	71000-467	Stator 45/60RPM, 220v Brn/yel	1
	71000-468	Stator 45/60RPM, 230v Red/Yel	1
	90010-242	Motor, 90V DC, model "F"	1
<b>24</b>	90011-078	Washer, Ground Screw, #8 Star	1
<b>25</b>	90010-126	Wire, ground, Green	1
<b>26</b>	A-008-1	Gearbox, 14 Rpm	1
	A-008-2	Gearbox, 30 Rpm	1
	A-008-3	Gearbox, 45 Rpm	1
	A-008-4	Gearbox, 60 Rpm	1
<b>27</b>	76001-009	Pumphead, no TFD sensors	1
	71000-488	Pumphead, w/TFD sensors	1

Item	Part No.	Product Name	Qty. Req.
<b>28</b>	C-324N Screw	P/head, 10-32 X .50	4
<b>29</b>	A-031	Spacer, Rotor	1
<b>30</b>	A1-4T	Tube, A-100N S/A -4T Norprene	1
	A1-6T	Tube, A-100N S/A -6T Norprene	1
	A1-7T	Tube, A-100N S/A -7T Norprene	1
	A1-8T	Tube, A-100N S/A -8T Norp-Chem	1
	A1-1T	Tube, A-100N S/A -1T Tygothane	1
	A1-2T	Tube, A-100N S/A -2T Tygothane	1
	A1-3T	Tube, A-100N S/A -3T Tygothane	1
	A1-5T	Tube, A-100N S/A -5T Viton	1
<b>31</b>	C-330-6	Nut, Tube, .37 O.D. Tubing	1
<b>36</b>	C-335-6	Tubing, Outlet, .37 O.D.X5ft, Poly	1
<b>37</b>	C-334-6	Tubing, Inlet, .37 O.D.X5ft, Pvc	1
<b>38</b>	C-346	Weight, Inlet Tubing, Ceramic	1
<b>39</b>	C-342-6	Strainer, Inlet Tube, Polypro	1
<b>40</b>	71000-159	Roller, -4, -6 tubes (white rollers)	1
	71000-255	Roller, -5 Viton tube	1
	71000-350	Roller, -1, -2, -3, -7 tubes (black rollers)	1
<b>45</b>	A1-SXX-C	Cover, P/head With Bearing	1
<b>48</b>	90011-160	Screw, P/head Cover, 8-32 X .62	3
<b>49</b>	A-014N-6A	Inj Valve, .5-.25 Mpt X .37 O.D.	1
<b>50</b>	90006-583	Motor Clip, 14, 30RPM	1
	90006-601	Motor Clip, 45, 60RPM	1
<b>51</b>	90011-146	Screw, Motor Clip, 8-32 X .25	1
<b>52</b>	90007-515	Bushing, J-Box Connector, Alum.	1
<b>53</b>	76001-029	Junction Box, Valox	1
<b>54</b>	90011-129	Screw, 6-32 X .25 S Black	2
<b>55</b>	71000-133	Cover, J-Box w/Gasket & Label	1
<b>56</b>	70000-656	J-Box Assembly, Complete	1
<b>N/S</b>	90008-151	J-box Hole Plug .75 Dia Blk	1
<b>57</b>	A-022	Power Switch	1
<b>N/S</b>	A-030	Push button prime switch	1
<b>58</b>	A-032	Knob, adjustment	1
<b>59</b>	90011-023	Screw, Motor, 8-32 x .50 Phill	2
<b>60</b>	C-1814N-2	Motor brush set, 90VDC motor	1

## A-100NE Replacement Parts



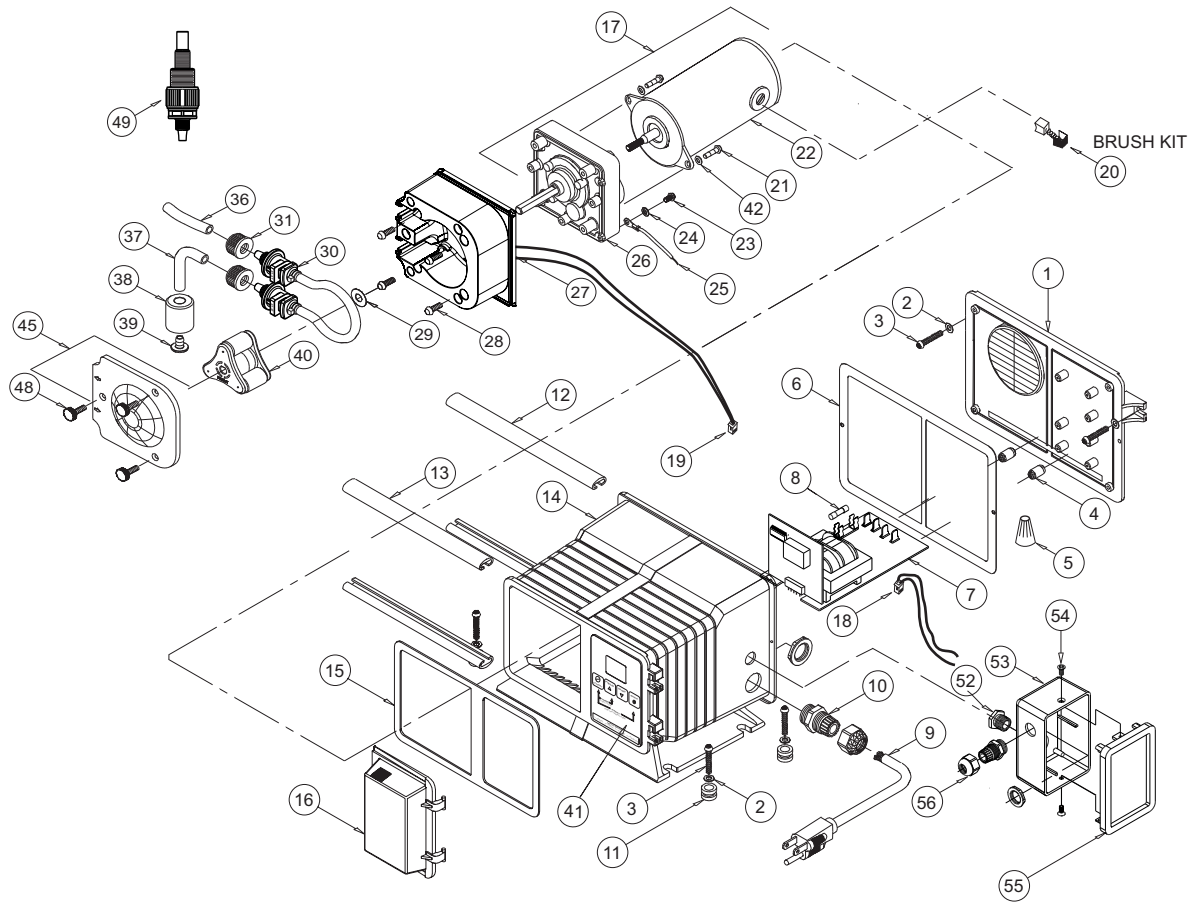


## A-100NE Replacement Parts

Item	Part No.	Product Name	Qty. Req.
<b>1</b>	71000-214	Enclosure Back Plate With Gasket, Valox	1
<b>2</b>	90011-094	Washer, Mounting, #10 Stainless	2
<b>3</b>	90011-091	Mounting Screw, #10 X 1.0" Phillips Steel	4
<b>4</b>	76001-001	Tubing Spacer A-100N digital	2
<b>5</b>	90010-036	Wire Nut, Blue	1
<b>6</b>	90006-580	Gasket, Enclosure Back Plate	1
<b>7</b>	A-023N-E-115	Timer 115V w/ external control	1
	A-023N-E-220	Timer 220V w/ external control	1
	A-023N-E-230	Timer 230V w/ external control	1
<b>8</b>	90010-223	Fuse, Digital Timer, 2A 250VAC	1
<b>9</b>	71000-175	Power Cord, 115v60hz, Digital Models	1
	71000-176	Power Cord, 220v50hz, Digital Models	1
	71000-177	Power Cord, 230v60hz, Digital Models	1
<b>10</b>	70000-589	Cord Inlet Bushing	1
<b>11</b>	90003-559	Mounting Feet, Rubber	4
<b>12</b>	76001-000	Slide Clamp, Enclosure Rear	1
<b>13</b>	76000-999	Slide Clamp, Enclosure Front	1
<b>14</b>	76001-169	Enclosure A-100N Ext. Input	1
<b>15</b>	90006-579	Gasket, Enclosure Front	1
<b>16</b>	90002-191	Door, Electronic Controls Cover	1

Item	Part No.	Product Name	Qty. Req.
<b>17</b>	70002-146	Gearmotor, 14 Rpm, 115v60hz	1
	70002-147	Gearmotor, 30 Rpm, 115v60hz	1
	70002-156	Gearmotor, 45 Rpm, 115v60hz	1
	70002-159	Gearmotor, 60 Rpm, 115v60hz	1
	70002-148	Gearmotor, 14 Rpm, 220v50hz	1
	70002-149	Gearmotor, 30 Rpm, 220v50hz	1
	70002-157	Gearmotor, 45 Rpm, 220v50hz	1
	70002-160	Gearmotor, 60 Rpm, 220v50hz	1
	70002-150	Gearmotor, 14 Rpm, 230v60hz	1
	70002-151	Gearmotor, 30 Rpm, 230v60hz	1
	70002-158	Gearmotor, 45 Rpm, 230v60hz	1
	70002-161	Gearmotor, 60 Rpm, 230v60hz	1
<b>18</b>	90006-581	Fan, Motor, 2.25" Diameter, Aluminum	1
<b>19</b>	C-612PB	Bearing Bracket With Bearing	2
<b>20</b>	C-616PN	Rotor 14RPM, 30RPM With Spacers	1
	C-616PN-32	Rotor 45RPM, 60RPM With Spacers	1
<b>21</b>	C-625	Screw, Motor, 14RPM, 30RPM Phil ST	2
	C-621-32	Screw, Motor, 45RPM, 60RPM Phil ST	2
<b>22</b>	71000-211	Stator 14, 30RPM, 115v Blu-White/Yellow	1
	71000-213	Stator 14, 30RPM, 220v Brn-White/yellow	1
	71000-212	Stator 14, 30RPM, 230v Red-White/Yellow	1

## A-100NV Replacement Parts

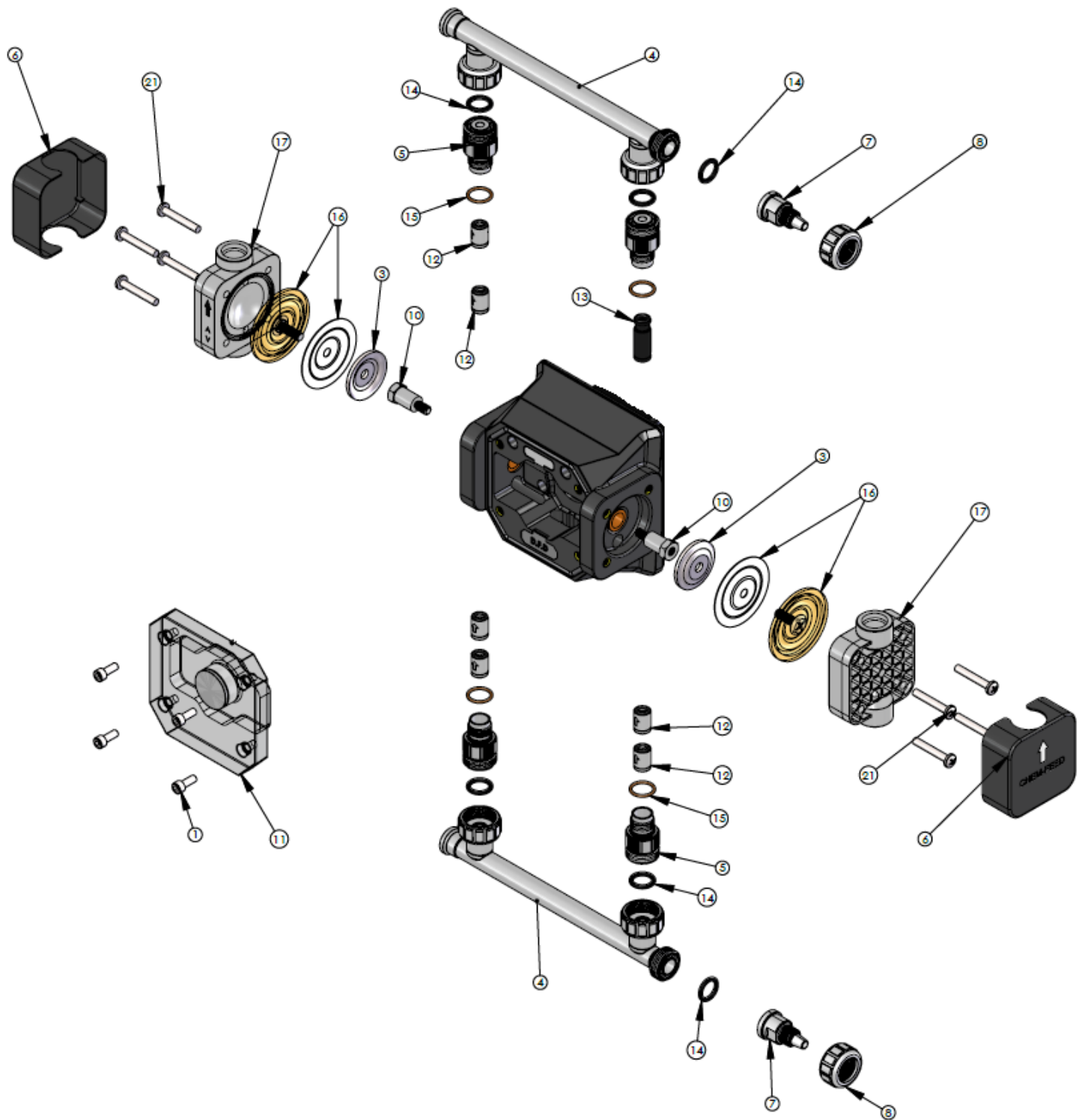


## A-100NV Replacement Parts

Item	Part No.	Product Name	Qty. Req.
1	71000-489	Enclosure Back Plate With Gasket, Valox	1
2	90011-094	Washer, Mounting, #10 Stainless	2
3	90011-091	Mounting Screw, #10 X 1.0" Phillips Steel	4
4	76001-001	Tubing Spacer A-100N digital	2
5	90010-036	Wire Nut, Blue	1
6	90006-580	Gasket, Enclosure Back Plate	1
7	A-023N-V-115	Circuit board A-100NV 115V	1
	A-023N-V-230	Circuit board A-100NV 220V/230V	1
8	90010-235	Fuse, A-100NV Circuit Board, 1A 250VAC	1
9	71000-175	Power Cord, 115v60hz, Digital Models	1
	71000-176	Power Cord, 220v50hz, Digital Models	1
	71000-177	Power Cord, 230v60hz, Digital Models	1
10	70000-589	Cord Inlet Bushing	1
11	90003-559	Mounting Feet, Rubber	4
12	76001-000	Slide Clamp, Enclosure Rear	1
13	76000-999	Slide Clamp, Enclosure Front	1
14	76001-253	Enclosure A-100NV	1
15	90006-579	Gasket, Enclosure Front	1
16	90002-191	Door, Electronic Controls Cover	1
17	70002-250	Gearmotor, 14 Rpm, 24V DC	1
	70002-251	Gearmotor, 30 Rpm, 24V DC	1
	70002-252	Gearmotor, 45 Rpm, 24V DC	1
	70002-253	Gearmotor, 60 Rpm, 24V DC	1
	70002-254	Gearmotor, 125 Rpm, 24V DC	1
18	90010-246	Wire set w/plug, Alarm relay	1
19	90010-245	Wire set w/plug, TFD sensor	1
N/S	90010-247	Wire set w/plug, input signals	1
20	C-1814N-4	Motor Brush kit (2 ea), 24V DC	1
21	90011-023	Screw, Motor, 8-32 x .50	2
22	90010-244	Motor, 24V DC	1
23	90011-024	Screw, Green Ground, 8-32 x .25	1
24	90011-078	Washer, Ground Screw, #8 Star	1
25	90010-222	Wire, Motor ground, Digital Timers, Green	1

Item	Part No.	Product Name	Qty. Req.
26	A-008-1	Gearbox, 14 Rpm	1
	A-008-2	Gearbox, 30 Rpm	1
	A-008-3	Gearbox, 45 Rpm	1
	A-008-4	Gearbox, 60 Rpm	1
	A-008-5	Gearbox, 125 Rpm	1
27	71000-488	Pumphead, A-100N w/TFD sensors	1
28	C-324N	Screw, Pumphead, 10-32 X .50 Phil Pan Black	4
29	A-031	Spacer, Rotor	1
30	A1-4T	Tube, A-100N S/A -4T Flex-A-Prene®	1
	A1-6T	Tube, A-100N S/A -6T Flex-A-Prene®	1
	A1-7T	Tube, A-100N S/A -7T Flex-A-Prene®	1
	A1-8T	Tube, A-100N S/A -8T Flex-A-Chem®	1
	A1-1T	Tube, A-100N S/A -1T Flex-A-Thane®	1
	A1-2T	Tube, A-100N S/A -2T Flex-A-Thane®	1
	A1-3T	Tube, A-100N S/A -3T Flex-A-Thane®	1
	A1-5T	Tube, A-100N S/A -5T Viton	1
31	C-330-6	Nut, Tube Compression Type, .37 O.D. Tubing	2
36	C-335-6	Tubing, Outlet, .37 O.D. X 5ft, Polyethylene	1
37	C-334-6	Tubing, Inlet, .37 O.D. X 5ft, Clear PVC	1
38	C-346	Weight, Inlet Tubing, Ceramic	1
39	C-342-6	Strainer, Inlet Tube, Polypropylene	1
40	71000-159	Roller Assembly -4, -6 tubes	1
	71000-350	Roller Assembly -1, -2, -3, -7 tubes	1
41	90012-245	Label, A-100NV front panel controls	1
42	90011-074	Washer, #8 splitlock	2
45	A1-SXX-C	Cover, Pumphead With Sleeve Bearing	1
48	90011-160	Screw, Pumphead Cover, 8-32 X .62 Cap	3
49	A-014N-6A	InjValve Assy, .5-.25 MPT X .37 OD Tube	1
52	90007-515	Bushing, Junction Box Connector, Alum.	1
53	76001-254	Junction Box A-100NV	1
54	90011-129	Screw, Cover, 6-32 X .25 Phil Pan SS Black	2
55	71000-133	Cover, Junction Box with Gasket and Label	1
56	90008-199	Connector Liquid-tight	1

## CD1 Replacement Parts

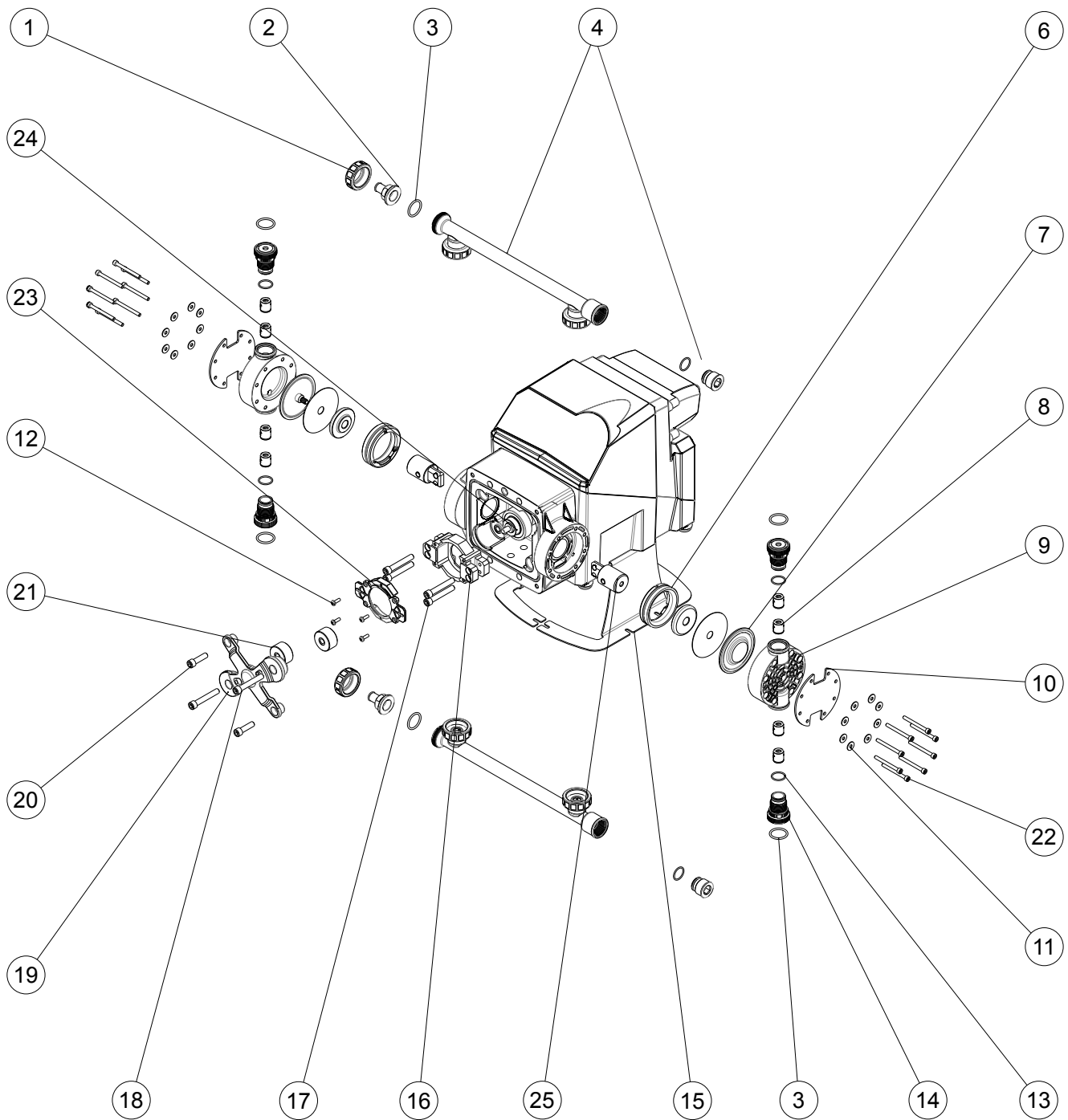


## CD1 Replacement Parts

Item	Part No.	Product Name	Qty. Req.
<b>1</b>	90011-150	Screw 10-32 x .50 SOC Cap SS	4
<b>3</b>	90006-600	Back-Up Washer HD .100" Thick	2
<b>4</b>	71010-730	Manifold, PVDF	2
<b>5</b>	90002-707	Adapter Cart	4
<b>6</b>	70004-539	P/Head Cover CHEM-FEED®	2
<b>7</b>	90002-708	.37T Adapter	2
	KIT-C5M	1/2" MNPT Adapter Kit (includes 2 adapter/nut sets)	2
	KIT-C5B	1/2" Hose Barb Adapter Kit (includes 2 adapter/nut sets)	2
<b>8</b>	90002-712	Nut, Union, PVDF	2
<b>10</b>	76001-966	Standoff Threaded	2
<b>11</b>	71010-837	Cover, Front	1

Item	Part No.	Product Name	Qty. Req.
<b>12</b>	71010-926	Cartridge Bullet, PVDF, Aflas O-rings	6
	71010-928	Cartridge Bullet, PVDF, EP O-rings	6
<b>13</b>	71010-944	Cartridge Bullet De-Gas, PVDF, Aflas	1
<b>14</b>	90003-581	O-Ring, Aflas	6
	90003-633	O-Ring, EP	6
<b>15</b>	90003-014	O-Ring, Aflas	4
	90003-600	O-Ring, EP	4
<b>16</b>	KIT-CDV	Diaphragm PVDF	2
	KIT-CDE	Diaphragm Flex-A-Prene®	2
<b>17</b>	70004-096	Pump/HD HDN LG PVDF V Stamp	2
	70004-097	Pump/HD HDN LG PVDF E Stamp	2
<b>21</b>	90011-141	Screw 10-32 X 1.25 Pan Phil SS	8
<b>N/S</b>	C-330-6	Tube Nut, 1/4" x 3/8"	2
	KIT-CCDGA*	Cart. Valve Kit, De-Gas, Aflas	1
	KIT-CCDGE*	Cart. Valve Kit, De-Gas, EP	1
	KIT-CCDGSA*	Cart. Valve Kit, De-Gas w/ standoffs, Aflas	1
	KIT-CCDGSE*	Cart. Valve Kit, De-Gas w/ standoffs, EP	1
* Includes Qty 6 Cart. Bullet and Qty 1 De-Gas Cart.			

## CD3 Replacement Parts



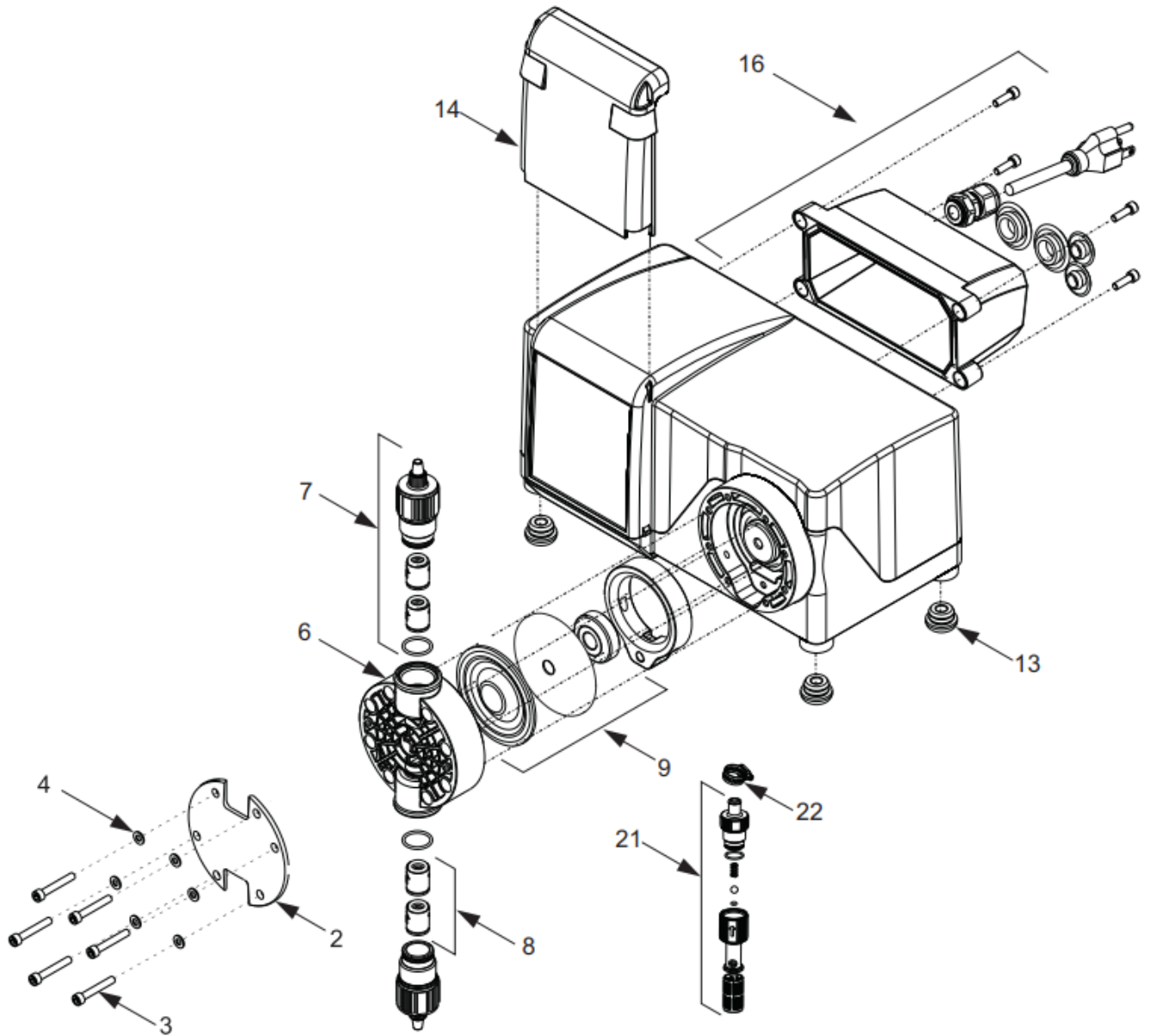
## CD3 Replacement Parts

Item	Model No.	Product Name	Qty. Req.
<b>1</b>	91001-301	NUT UNION CD3 MOLDED PVDF	6
<b>2</b>	91001-295	.50" BARB ADAPTER	2
	91001-296	.50" BARB ADAPTER ELBOW	2
	91001-288	.50" M/NPT ADAPTER ELBOW	2
	91001-287	.50" M/NPT ADAPTER	2
<b>3</b>	90003-577	O-RING 2-119 (AFLAS 75)	6
	90003-627	O-RING 2-119 (EP)	6
<b>4</b>	70001-504	MANIFOLD PVDF (Aflas)	2
	70001-505	MANIFOLD PVDF (EP)	2
<b>6</b>	90002-350	DRIVE HEAD INSERT	2
<b>7</b>	72000-583	KIT DIAPHRAGM DIAFLEX® MD-3	2
	72000-601	KIT DIAPHRAGM FLEX-A-PRENE® MD3	2
<b>8</b>	70001-500	CARTRIDGE VALVE KIT (TFE/P)	4
	70001-501	CARTRIDGE VALVE KIT (EP)	4
<b>9</b>	90002-272	PUMP HEAD	2
<b>10</b>	70004-541	PUMP HEAD FACE PLATE	2

Item	Model No.	Product Name	Qty. Req.
<b>11</b>	90011-094	WASHER #10	16
<b>12</b>	90011-063	SCREW 8-32 X .37 RD PH SS	4
<b>13</b>	90003-141	O-RING 2-018 (TFE/P)	4
	90003-610	O-RING 2-018 (EP)	4
<b>14</b>	90002-353	ADAPTER CART CD3	4
<b>15</b>	90008-651	MOUNTING BRACKET	2
<b>16</b>	90007-675	HYPER-DRIVE YOKE	1
<b>17</b>	90011-229	SCREW 5/16 X 3/4 SHOULDER	6
<b>18</b>	90011-221	SCREW 5/16-18 X 1.25L SOC HD SS	2
<b>19</b>	76001-824	DRIVE FRONT LOAD SUPPORT ASSY	1
<b>20</b>	90011-222	SCREW 5/16-18 X 2.00L SOC HD SS	2
<b>21</b>	76001-373	FRONT LOAD SUPPORT SPACER	2
<b>22</b>	90011-063	SCREW 8-32 X .37 RD PH SS	16
<b>23</b>	90002-368	HYPER DRIVE CAM COVER	1
<b>24</b>	71010-369	CAM DRIVE ASSEMBLY	1
<b>25</b>	71010-372	PISTON ASSEMBLY	2

\* Items 16-23 not for sale. Contact customer service or local repair center for support.

## C2 Replacement Parts



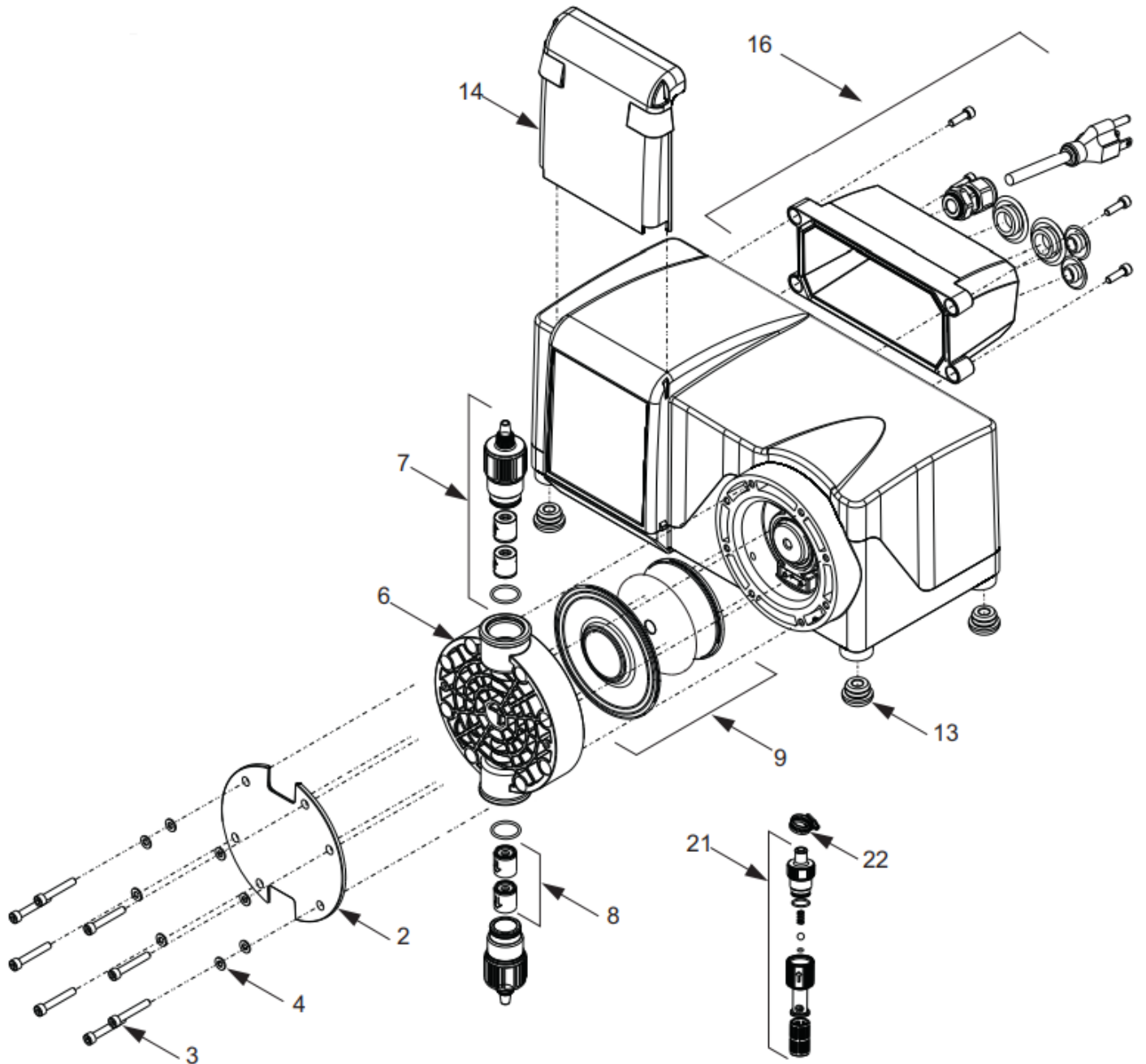


## C2 Replacement Parts

Item	Model No.	Product Name	Qty. Req.
<b>2</b>	70004-541	COVER P/H C2	1
<b>3</b>	90011-149	SCREW	8
<b>6</b>	90002-273	P/HEAD SM C2 PVDF	1
	90002-272	P/HEAD LG C2 PVDF	1
	71010-446	P/HEAD MICRO PVDF	1
<b>7</b>	70001-349	VALVE .5 M/NPT VIT	2
	70001-350	VALVE .5 M/NPT EP	2
	70001-351	VALVE .5 F/NPT VIT	2
	70001-352	VALVE .5 F/NPT EP	2
	70001-347	VALVE .5 T-BARB VIT	2
	70001-348	VALVE .5 T-BARB EP	2
	70001-372	VALVE .375 TUBE VIT	2
	70001-373	VALVE .375 TUBE EP	2
<b>8</b>	20000-194	KIT 4 EA. VALVE VIT	1
	20000-195	KIT 4 EA. VALVE EP	1
<b>9</b>	72000-551	MICRO DIAPHRAGM KIT	1
	72000-296	SMALL DIAPHRAGM KIT	1
	72000-297	LARGE DIAPHRAGM KIT	1
	72000-606	MICRO DIA KIT FLEX-A-PRENE®	1
	72000-607	SM DIA KIT FLEX-A-PRENE®	1
	72000-605	LG DIA KIT FLEX-A-PRENE®	1

Item	Model No.	Product Name	Qty. Req.
<b>11</b>	90001-173	P/HEAD LG. SPACER	1
	90001-172	P/HEAD SM. SPACER	1
<b>13</b>	90003-561	BUMPER FEET	4
<b>14</b>	90002-326	UV LCD CVR PLYCRB	1
<b>16</b>	71010-027	J-BOX KIT W/ 115V	1
	71010-028	J-BOX KIT W/ 230V	1
	71010-029	J-BOX KIT W/ 220V	1
<b>21</b>	See Accessory Page for Foot Valve Options		
<b>22</b>	90008-043	CLAMP SS .5"	1
<b>N/A</b>	72000-378	BRUSH KIT MC2/MC3 90VDC MOTOR	1

## C3 Replacement Parts

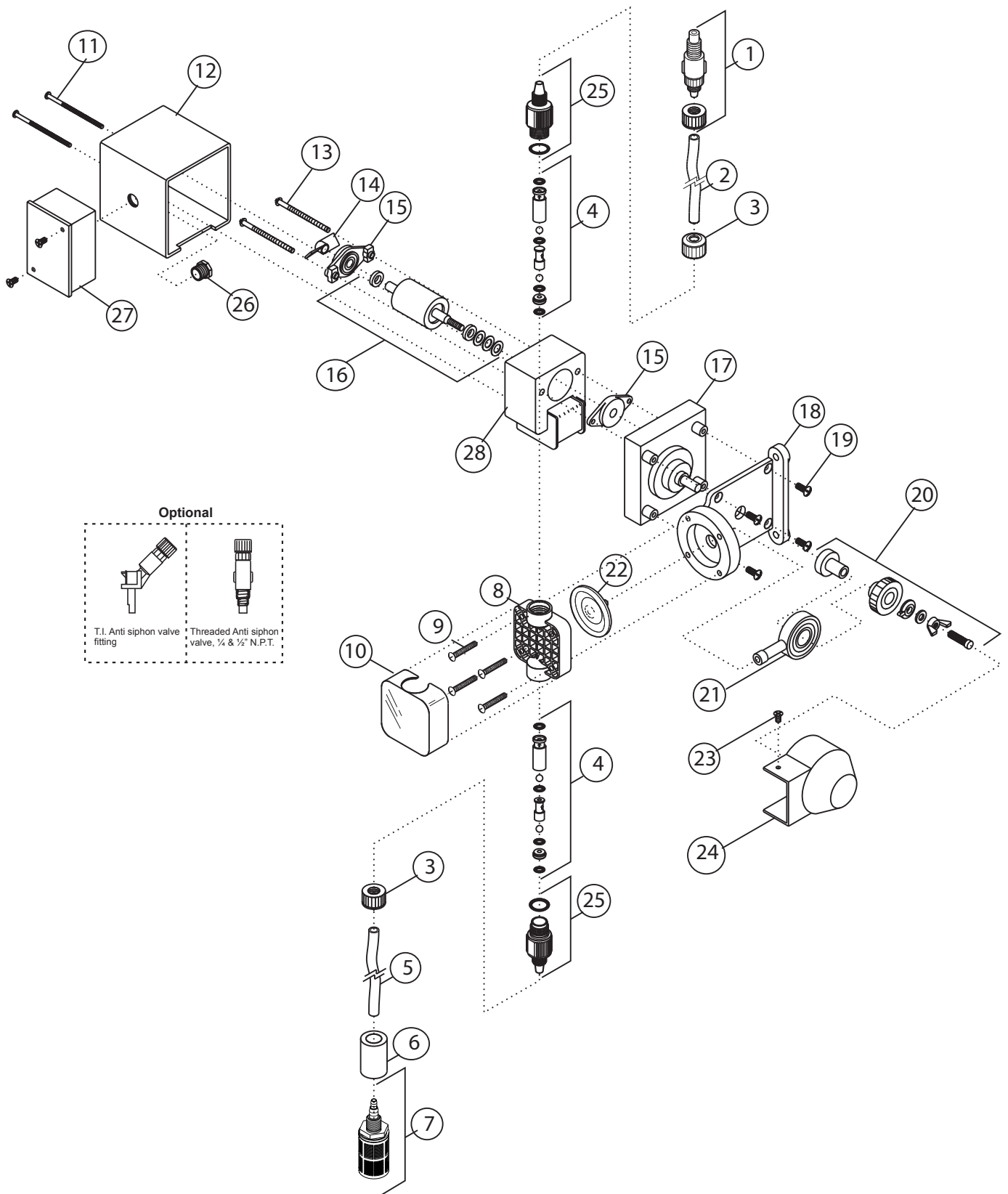


## C3 Replacement Parts

Item	Model No.	Product Name	Qty. Req.
<b>2</b>	70004-540	COVER P/H C3	1
<b>3</b>	90011-149	SCREW	8
<b>4</b>	90011-094	WASHER #10 P/H SS	8
<b>6</b>	90002-258	P/HEAD LG C3 PVDF	1
<b>7</b>	70001-349	VALVE .5 M/NPT VIT	2
	70001-350	VALVE .5 M/NPT EP	2
	70001-351	VALVE .5 F/NPT VIT	2
	70001-352	VALVE .5 F/NPT EP	2
	70001-347	VALVE .5 T-BARB VIT	2
	70001-348	VALVE .5 T-BARB EP	2
<b>8</b>	20000-194	KIT 4 EA. VALVE VIT	1
	20000-195	KIT 4 EA. VALVE EP	1
<b>9</b>	72000-295	DIAPHRAGM KIT C3	1
	72000-604	DIAPHRAGM KIT FLEX-A-PRENE®	1

Item	Model No.	Product Name	Qty. Req.
<b>13</b>	90003-561	BUMPER FEET	4
<b>14</b>	90002-326	UV LCD CVR PLYCRB	1
<b>16</b>	71010-027	J-BOX KIT W/ 115V	1
	71010-028	J-BOX KIT W/ 220V	1
	71010-029	J-BOX KIT W/ 220V	1
<b>21</b>	See Accessory page for Foot Valve Options		
<b>22</b>	90008-043	CLAMP SS .5"	1
<b>23</b>	76001-361	TUBE SUCTION .5 D, 8' L	1
<b>24</b>	71000-579	INJECTION .5 BARB	1
	71000-577	INJECTION .5 M/NPT	1
<b>N/A</b>	72000-378	Brush Kit MC2/MC3 90VDC Motor	1

## C-600P Replacement Parts

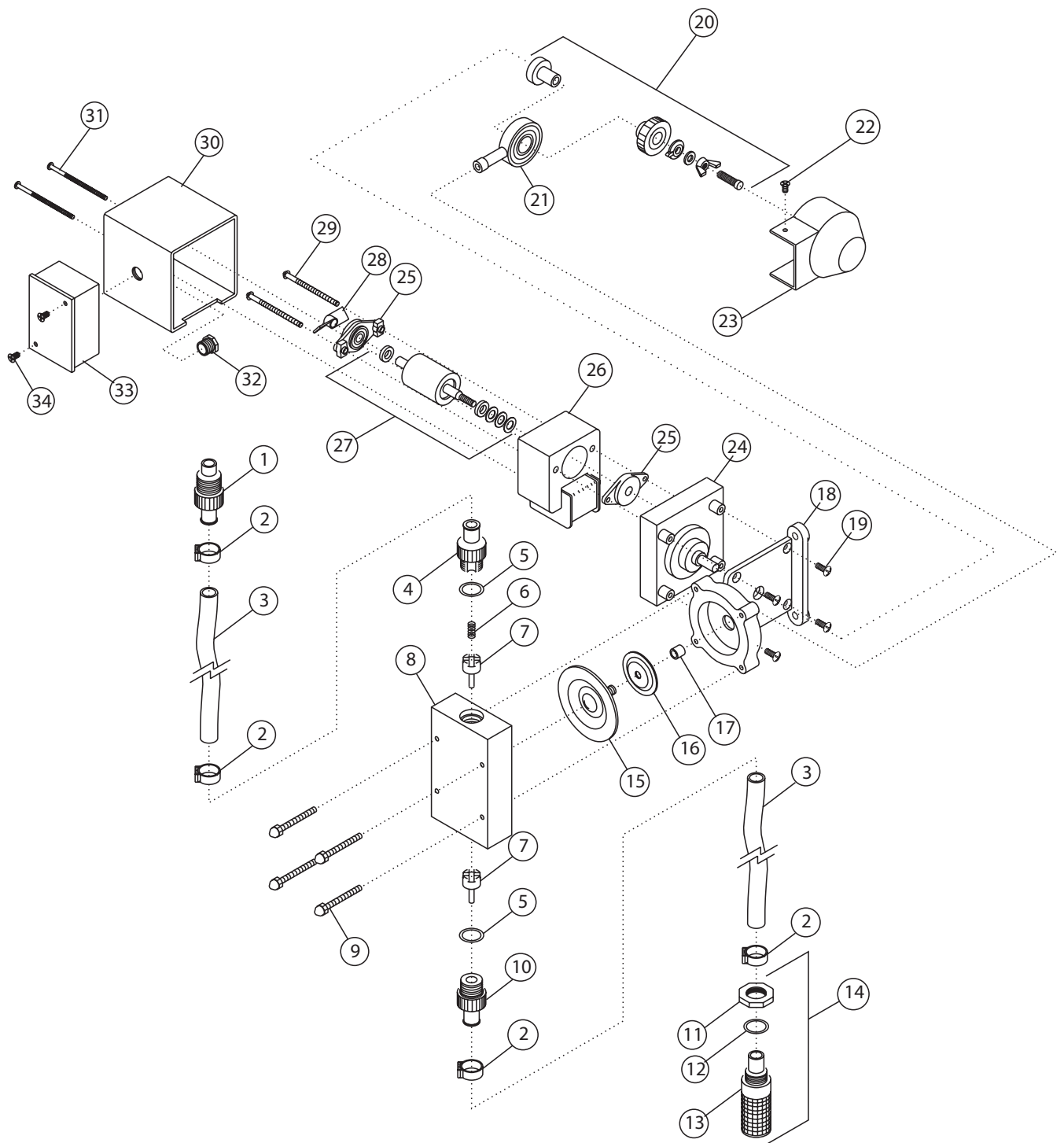


## C-600P Replacement Parts

Item	Model No.	Product Name	Qty. Req.
<b>1</b>	C-395N-6A	Injection Valve 6 Psi, Aflas	1
	C-395N-6E	Injection Valve 6 Psi, Ep (Optional)	1
<b>2</b>	C-335-6	Discharge Tubing 3/8 Od, 5ft. Opaque Poly-E	1
<b>3</b>	C-330-6	Tube Nut	2
<b>4</b>	K-568A-4	Bullet Valve (Double Ball), Aflas, 4 Pack Set	2
	K-568A-10	Bullet Valve (Double Ball), Aflas, 10 Pack Set	2
	K-568E-4	Bullet Valve (Double Ball), Ep, 4 Pack Set (Optional)	2
	K-568E-10	Bullet Valve (Double Ball), Ep, 10 pack Set(Optional)	2
<b>5</b>	C-334-6	Suction Tubing 3/8' Od, 5ft. Clear Pvc W/ Indicator	1
<b>6</b>	C-346	Ceramic Weight	1
<b>7</b>	C-340A	Foot Valve / Strainer Poly-Pro, Aflas	1
	C-340E	Foot Valve / Strainer Poly-Pro, Ep (Optional)	1
<b>8</b>	C-535	Heavy Duty Machined Pump Head	1
<b>9</b>	C-504HD	Screw, Hd Pump Head 10-32 X 1-1/4'	4
<b>10</b>	C-535FC	Pump Head Cover, CHEM-FEED Logo	1
<b>11</b>	C-628	Cover Screw 6-32 X 2-3/4' Steel	2
<b>12</b>	C-608P	Motor Cover	1
<b>13</b>	C-625	Motor Screw 8-32 X 2-1/2'	2
<b>14</b>	C-612F	Rotor Fan 1	1
<b>15</b>	C-612PB	Rotor Bearing	2
<b>16</b>	C-616PN	Rotor W/ Spacer	1
<b>17</b>	C-618P-14	Gearbox Assembly, 14 Rpm	1
	C-618P-30	Gearbox Assembly, 30 Rpm	1
	C-618P-45	Gearbox Assembly, 45 Rpm	1
	C-618P-60	Gearbox Assembly, 60 Rpm	1
	C-618P-125	Gearbox Assembly, 125 Rpm	1
	C-618P-250	Gearbox Assembly, 250 Rpm	1
<b>18</b>	C-301	Motor Mount	1
<b>19</b>	C-624	Motor Mount Screw 10-32 X 1/2'	4
<b>20</b>	C-325	Cam S/A C-600	1
<b>21</b>	C-304	Yoke W/Bearings	1
<b>22</b>	C-406T	Diaphragm Ptfе Coated, Ep	1
<b>23</b>	90011-155	Screw 6-332 X 3/8'	1
<b>24</b>	90002-201	Cam Cover	1
<b>25</b>	C-560-6E	Bullet Valve Adapter, Ep O-Ring	2
<b>26</b>	90007-515	1/2" Aluminum Chase Nipple	1

Item	Model No.	Product Name	Qty. Req.
<b>27</b>	C-308J	Junction Box Complete W/ Cover and Gasket	1
<b>28</b>	C-615P-1	Stator S/A 115v/60hz, Blue-Black (Lead Wires)	1
	C-615P-2	Stator S/A 230v/60hz, Red-Black (Lead Wires)	1
	C-615P-3	Stator S/A 220v/50hz, Brown-Blue (Lead Wires)	1
	C-615P-4	Stator S/A 24v/60hz, Blue-White (Lead Wires)	1
	C-615P-5	Stator S/A 24v/50hz, White-White (Lead Wires)	1
	C-615P-6	Stator S/A 230v/60hz, Red-Yellow (Lead Wires)	1
	C-615P-8	Stator S/A 220v/50hz, Brown-Yellow (Lead Wires)	1
	C-615P-9	Stator S/A 115v/60hz, Blue-Yellow (Lead Wires)	1
	C-615P-10	Stator S/A 240v/50hz, Orange-Yellow (Lead Wires)	1
	C-615P-11	Stator S/A 240v/50hz, Orange-White (Lead Wires)	1

## C-600HV Replacement Parts

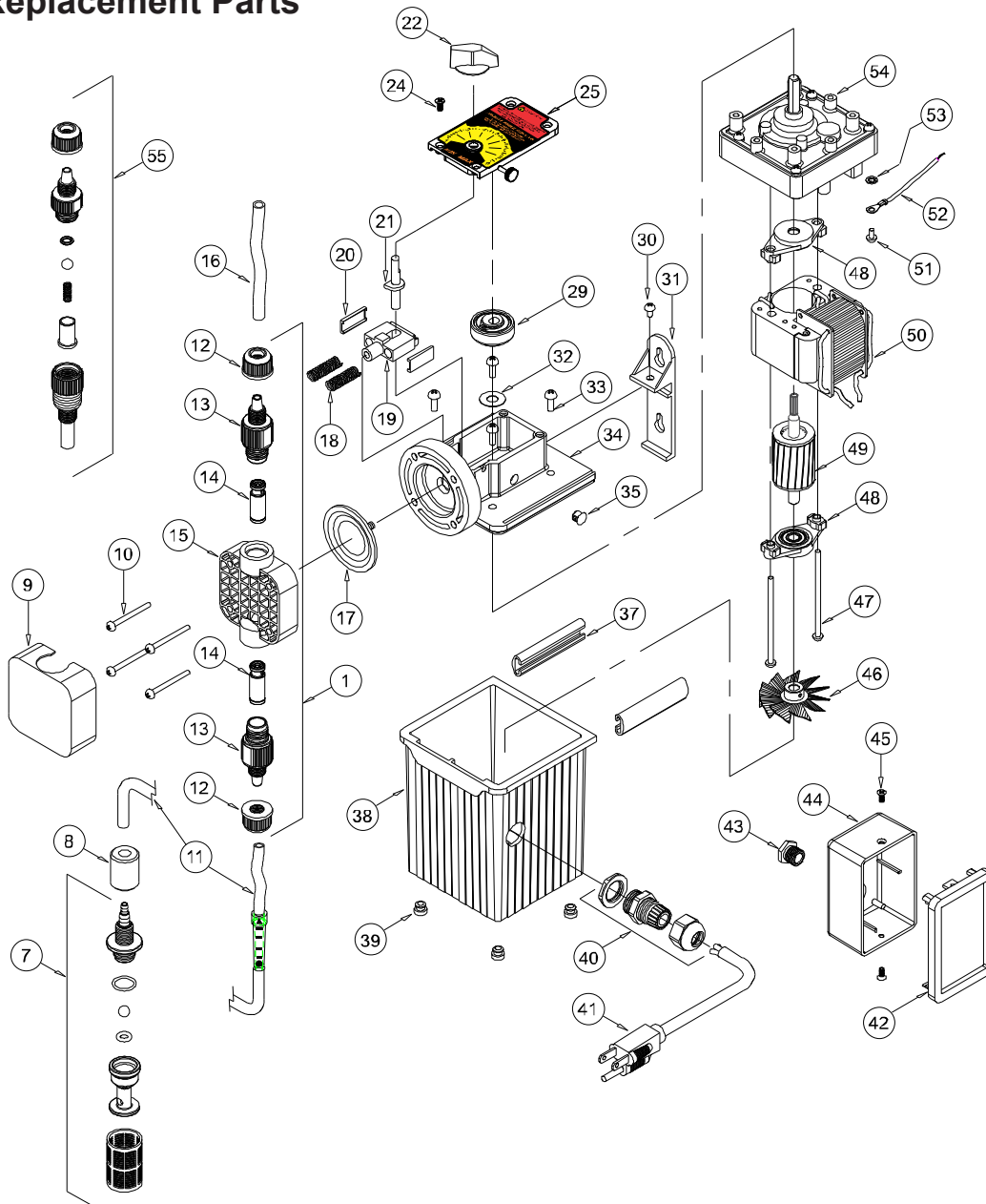


## C-600HV Replacement Parts

Item	Model No.	Product Name	Qty. Req.
1	C-3391-10	Injection Fitting	1
2	C-3330	Clamp	4
3	C-334-10	Tubing 5/8" O.D. , 5FT	2
4	C-428N-10	Top Adaptor, 5/8" Tube	1
5	90003-033	O-ring (EP) (Aflas)	1
6	C-354-2	Spring	1
7	C-926E	Check Valve (Hypalon)	1
	C-926V	Check Valve (Aflas)	1
8	C-3203	Headblock(Clear) (Polyethylene)	1
9	C-3504	Screw, (Headblock) #8-32 X 1 1/2	4
10	C427N-10	Bottom Adaptor, 5/8" Tube	1
11	C-3345B	Lock Nut	1
12	C-3345C	O-ring	1
13	C-3373-10	Foot Strainer	1
14	C-3393-10	Combination Foot Strainer Bulkhead	1
15	C-3106NH	Diaphragm (Hypalon)	1
	C-3106NV	Diaphragm (Aflas)	1
16	90006-526	Aluminum Backup Washer	1
17	76000-514	H.V. Aluminum Spacer	1
18	C-3301	Motor Mount	2
19	C-624	Screw 10-32 X 1/2	4
20	C-3325	Cam Set	1
21	C-3304	Yoke and Bearing	1
22	90011-155	Screw 6-32 X 3/8"	1
23	90002-201	Cam Cover	1
24	C-618P-60	Gearbox Assembly (60 RPM)	1
	C-618P-125	Gearbox Assembly (125 RPM)	1
	C-618P-250	Gearbox Assembly (250 RPM)	1
25	C-612PB	Armature Bearing	2
26	C-615P-1	Motor Winding (115V-60hz)	1
	C-615P-2	Motor Winding (230V-60hz)	1
	C-615P-3	Motor Winding (220V-50hz)	1
27	70000-027	Rotor w/ Spacers	1
28	C-612F	Armature Fan	1
29	C-625	Motor Screw 8-32 X 2 3/4	2

Item	Model No.	Product Name	Qty. Req.
30	C-608P	Motor Cover (Zinc)	1
	C-608P(AL)	Motor Cover (Aluminum)	1
31	C-628	Cover Screw 6-32 X 2 3/4	2
32	90007-515	1/2" Aluminum Chase Nipple	1
33	C-308J	Junction Box	1
34	90011-129	Junction Box screw 8-32 X 5/16	2

# C-1500N Replacement Parts



Item	Model No.	Product Name	Qty. Req.
<b>1</b>	C-535A6-6	Pumphead Kit, HDN Viton	1
	C-535A6-6E	Pumphead Kit, HDN EP	1
<b>7</b>	C-340A	FootValve S/A, Aflas	1
	C-340E	FootValve S/A, EP	1
<b>8</b>	C-346	Ceramic weight	1
<b>9</b>	C-535FC	Cover P/Head, HD CHEM-FEED logo	1
	C-535F	Cover P/Head, HD Noir logo	1
	S-535F	Cover P/Head, HD Micro logo	1
<b>10</b>	C-504HD	Screw I 0-32 x 1.25	4
<b>11</b>	70000-638	Tube Indicator Glass 3/8 x 5 FT	1
	C-334-4	Tube Suction 1/4 x 5 FT	1

Item	Model No.	Product Name	Qty. Req.
<b>12</b>	C-330-4	Tube Nut, .25T, PVDF	2
	C-330-6	Tube Nut, .37T, PVDF	2
<b>13</b>	C-560-4E	Adapter S/A Bullet .25T EP	2
	C-560-4V	Adapter S/A Bullet .25T Viton	2
	C-560-6A	Adapter S/A Bullet .37T AFLAS	2
	C-560-6E	Adapter S/A Bullet .37T EP	2
	C-560-6S	Adapter S/A Bullet .37T Silicon	2
	C-560-6V	Adapter S/A Bullet .37T Viton	2



## C-1500N Replacement Parts

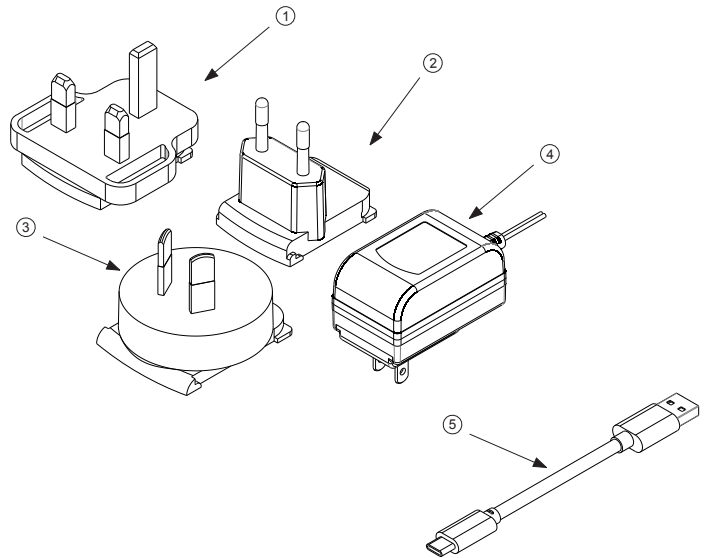
Item	Model No.	Product Name	Qty. Req.
14	71000-392	Cart Bullet Double AFLAS PVDF	2
15	C-535V	Pumphead, PVDF	1
16	C-335-6	Tubing D/Charge, 3/8 x 5 FT	1
	C-335-4	Tubing D/Charge, 1/4 x 5 FT	1
17	C-406VT-15N	Diaphragm S/A 2.0 15N, Viton/TFE	1
	C-406T-15N	Diaphragm S/A 2.0 15N, EP/TFE	1
	R-106VT-15N	Diaphragm S/A 1.6 15N, Viton/TFE	1
	R-106T-15N	Diaphragm S/A 1.6 15N, EP/TFE	1
18	C-1514N	Return Spring	2
19	71010-185	Stirrup	1
20	C-1504	Slide Bearing	2
21	C-1505N	Offset Cam #1 .125"	1
	R-1505N	Offset Cam #2 .055"	1
	C-1505N-3	Offset Cam #3 .187"	1
	C-1505N-4	Offset Cam #4 .100"	1
22	C-1502	Dial Knob	1
24	90011-168	Screw #6 x .62 PH oval 'A'	4
25	C-1503N-3	Top Cover Assembly with bearing	1
29	C-1507A	Drive Cam S/A #1 .125"	1
	R-1507A	Drive Cam S/A #2 .055"	1
	C-1507-3A	Drive Cam S/A #3 .187"	1
	C-1507-4A	Drive Cam S/A #4 .100"	1
30	C-624N	Screw 10-32 x .50 PHL PAN	1
31	90002-106	Bracket Wall Mount	1
32	90011-014	Spacer, Rotor	1
33	C-624N	Screw 10-32 x .50 PHL PAN	4
34	C-1501N	Motor Mount, Large Diaphragm	1
	C-1501N-S	Motor Mount, Small Diaphragm	1
35	90008-138	Plug .312 Hole Black	1
36	90006-597	Gasket, Motor Mount	1
37	C-628NG	Slide Clamp	2
38	90002-212	Motor cover for power cord models	1
	C-1508PN-2	Motor cover for junction box models	1
39	C-1517	Bumper Feet	4
40	A-033N	Connector Liq-Tite w/nut	1

Item	Model No.	Product Name	Qty. Req.
41	C-1523UL	Cord 18/3 SJTW/A 115V, U.S., NEMA 5/15 plug	1
	90010-196	Cord 18/3 SJTW/A 220V, Euro, CEE 7NII (A) plug	1
	C-823-230	Cord 18/3 SJTW/A 230V, U.S., NEMA 6/15 plug	1
42	C-052	Cover, Junction Box with Gasket and Label	1
43	C-649	Bushing, Junction Box Connector, Alum.	1
44	76000-522	Junction Box, Valox	1
45	F-7013	Screw, Cover, 6-32 X .25 Phil Pan SS Black	2
46	90006-598	Fan, 1.80" Diameter, Alum.	1
47	C-625	Screw, Motor, 8-32 X 2.5" Phillips Steel	2
48	C-612PB	Bearing Bracket With Bearing	2
49	C-616PN	Rotor Assembly With Shaft and Spacers	1
50	70000-018	Stator S/A, 115V60Hz Standard Blue-Black	1
	70000-019	Stator S/A, 115V60Hz Thermal Brown-Blue	1
	71000-019	Stator S/A, 220V50Hz Standard Brown-Black	1
	71000-020	Stator S/A, 220V50Hz Thermal Brown-Yellow	1
	70000-020	Stator S/A, 230V60Hz Standard Red-Black	1
	70000-021	Stator S/A, 230V60Hz Thermal Red-Yellow	1
	C-615P-4	Stator S/A, 24V60Hz Standard Blue-White	1
51	90011-024	Ground Screw 8-32 x .25 Hex SL ST	1
52	90010-127	Lead Wire, ground, Green	1
53	90011-078	Washer, Ground Screw, #8 Intrl/Star	1
54	C-618N-14	Gearbox, 14 RPM	1
	C-618N-30	Gearbox, 30 RPM	1
	C-618N-45	Gearbox, 45 RPM	1
	C-618N-60	Gearbox, 60 RPM	1
	C-618N-125	Gearbox, 125 RPM	1
	C-618N-250	Gearbox, 250 RPM	1
55	C-395N-6A	Injection Valve S/A 37T VIT 6 PSI	1

## S6A Replacement Parts

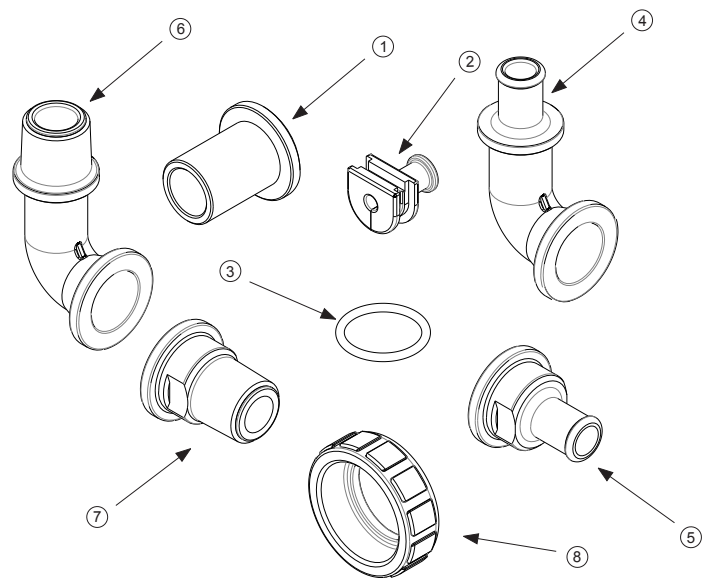
### S6A Power Supply Kit 72000-594

Item	Model No.	Product Name	Qty. Req.
1	90008-723	U.K. Blade Power Supply	1
2	90008-513	Europe Blade Power Supply	1
3	90008-724	Australian Blade Power Supply	1
4	90008-743	Power Supply 120AC/5VDC 2000MA	1
5	90010-597	USB A-C Cable	1



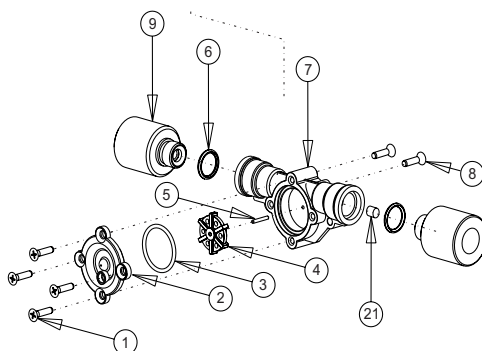
### S6A Adapter Kit 72000-588

Item	Model No.	Product Name	Qty. Req.
1	76001-855	Adapter S6A PVC	2
2	90003-565	Cable Gland	2
3	90003-577	O-Ring 2-119 AFLAS	2
3*	90003-153	O-Ring 2-119 EP	2
4	91001-296	Adapter Elbow, .50 MNPT	2
5	91001-295	.50" Barb Adapter	2
6	91001-288	Adapter Elbow SM .50 M/NPT	2
7	91001-287	Adapter, SM.50 M/NPT	2
8	91001-301	Nut Union Molded PVDF	2

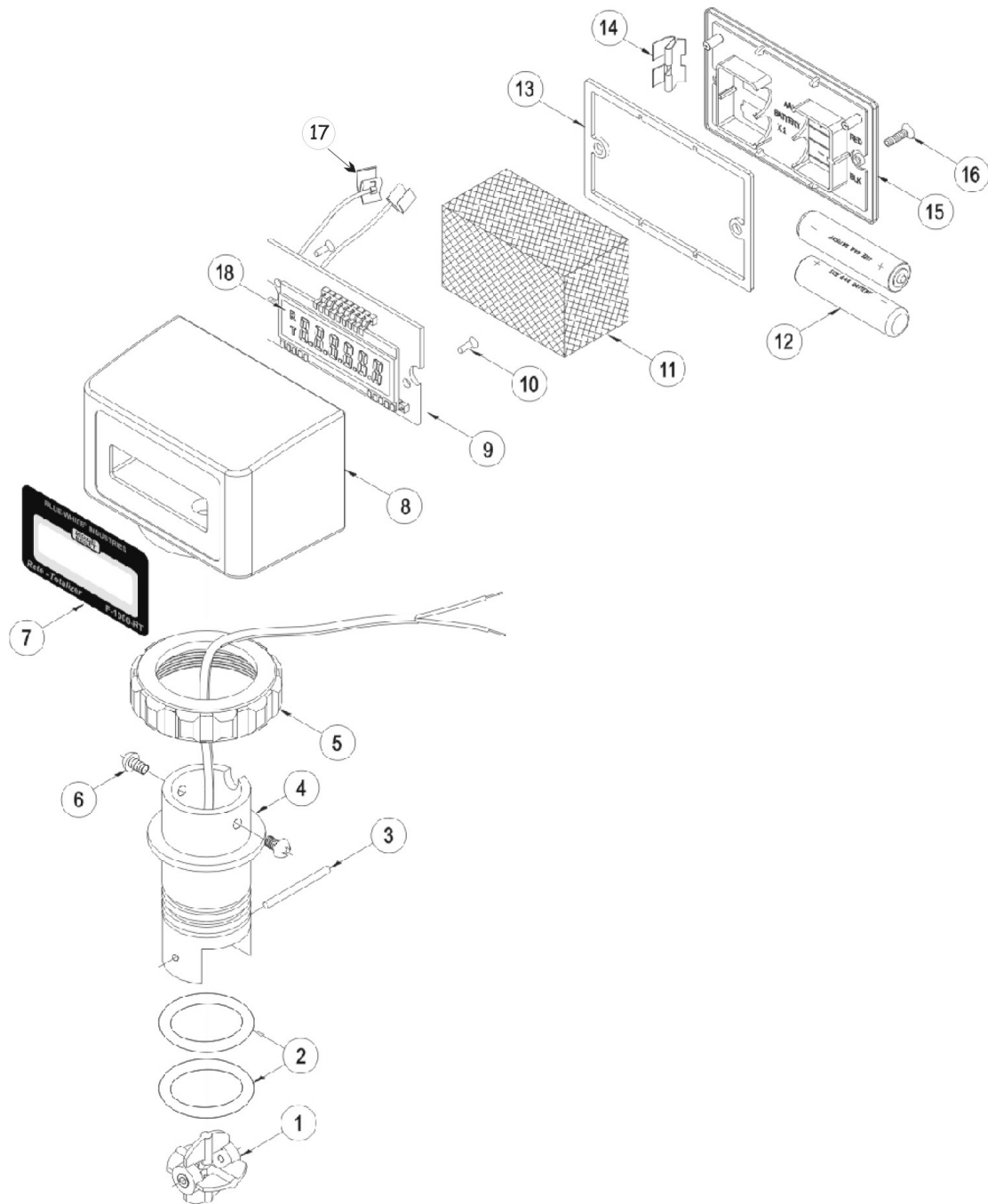


## MICRO-FLO Replacement Parts

Item	Model No.	Product Name	Qty. Req.
<b>1</b>	90011-190	Screw 6-32 x .50 Phil Flt SS	4
<b>2</b>	90002-228	Lens Cap Opaque PVDF	1
<b>3</b>	90003-143	O-Ring FKM	1
	90003-146	O-Ring EP	1
<b>4</b>	90002-229	Paddle PVDF	1
<b>5</b>	90007-592	Axle PVDF	1
<b>6</b>	90003-012	O-Ring FKM	2
	90003-599	O-Ring EP	2
<b>7</b>	76001-705	Body S1 PVDF (30-300ml/min)	1
	76001-301	Body S2 PVDF (100-1000ml/min)	1
	76001-302	Body S3 PVDF (200-2000ml/min)	1
	76001-706	Body S4 PVDF (300-3000ml/min)	1
	76001-304	Body S5 PVDF (500-5000ml/min)	1
	76001-305	Body S6 PVDF (700-7000ml/min)	1
<b>8</b>	90011-178	Screw #4 x .50 Phil Blk	2
<b>9</b>	76000-137	Adapter .250" F/NPT PVC	2
	76000-456	Adapter .125" F/NPT PVC	2
	90002-038	Adapter .375" OD Tubing Connection, PVDF	2
	90002-042	Adapter .250" OD Tubing Connection, PVDF	2
	76001-360	Adapter .500" ID Hose Barb, PVC	2
	76001-359	Adapter .500 F/NPT, PVC	2
	76001-358	Adapter .500 M/NPT, PVC	2



## F-1000 Replacement Parts

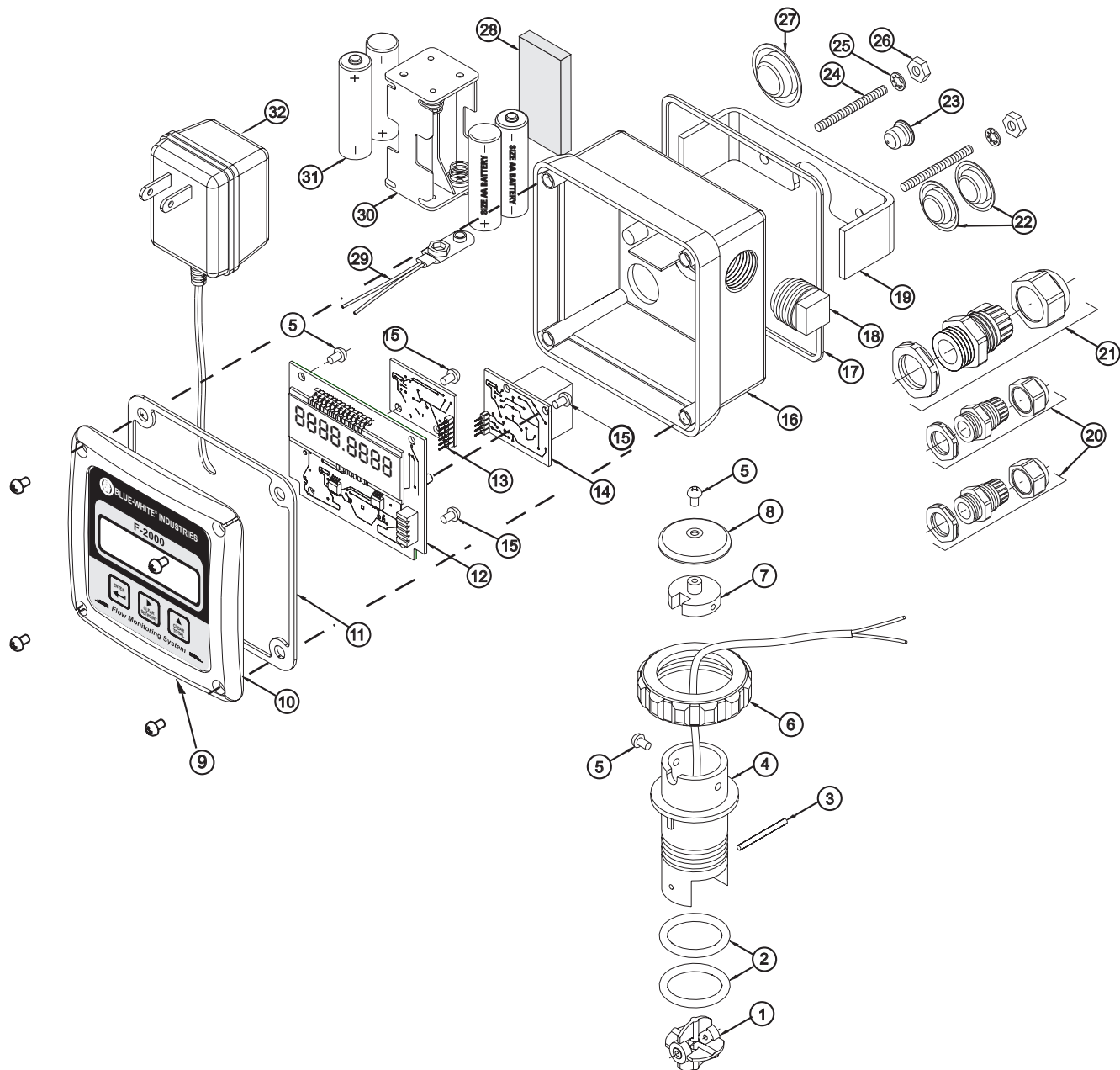


## F-1000 Replacement Parts

Item	Model No.	Product Name	Qty. Req.
<b>1</b>	70000-783	Paddle assembly PVDF	1
<b>2</b>	90003-021	O-ring 022 Viton E60	2
<b>3</b>	90007-589	Axle PVDF	1
	90007-567	Axle Hastelly	1
<b>4</b>	71000-238	Sensor body assembly F-100 no paddle	1
<b>5</b>	91001-280	Union Nut	1
	90011-080	Screw #6 x .37 PH Pan B 18/8	2
<b>7</b>	90012-198	Label F-1000-RB GPM	1
	90012-199	Label F-1000-RB GPH	1
	90012-200	Label F-1000-RB LPM	1
	90012-201	Label F-1000-RB LPH	1
	90012-202	Label F-1000-RB M3H	1
	90012-221	Label F-1000-TB overlay	1
	90012-222	Label F-1000-RT overlay	1

Item	Model No.	Product Name	Qty. Req.
<b>8</b>	76001-187	Housing F-1000	1
	RBC-pipe-units	Circuit board for model RB. Must specify pipe	1
	TBC-pipe-units	Circuit board for model TB. Must specify pipe	1
	RTC-pipe-units	Circuit board for model RT. Must specify pipe	1
	90011-169	Screw #4 .25 Phil Pan "A"	1
	90013-260	Foam pad 1.25 x 1.25 x 2.25	1
	90008-318	Battery each AAA	2
<b>13</b>	90006-590	Gasket F-1000	1
<b>14</b>	90008-319	Battery clip F-1000	1
<b>15</b>	90002-203	Rear plate F-1000	1
<b>16</b>	90011-113	Screw #4 .50 Phil oval "A"	2
<b>17</b>	90010-241	Battery Connector	1

# F-2000 Replacement Parts



## F-2000 Replacement Parts

Item	Model No.	Product Name	Qty. Req.
<b>1</b>	70000-783	Paddle Assembly Kynar	1
<b>2</b>	90003-021	O-Ring 022 Viton E60	2
<b>3</b>	90007-589	Axle PVDF	1
<b>4</b>	71000-238	Sensor Body Ac Coil 1' Cable	1
	71000-285	Sensor Body Ac Coil 25' Cable	1
	70000-806	Sensor Body Hall Effect 25' Cable	1
<b>5</b>	90011-080	Screw #6-32 X .37 Ph Pan B 18/8	5
<b>6</b>	91001-280	Union Nut	1
<b>7</b>	76002-023	Retainer Sensor Cap	1
<b>8</b>	90006-550	Cap Sensor Body SS	1
<b>9</b>	90012-208	Switch Overlay F-2000	1
<b>10</b>	71000-356	Cover F-2000 W/ Switch Overlay	1
<b>11</b>	90006-592	Gasket F-2000 Housing Neoprene	1
<b>12</b>	90010-227	Circuit Board F-2000 Rt	1
<b>13</b>	71000-311	Kit Circuitry Model F-2000 AO	1
<b>14</b>	71000-316	Kit Circuitry Model F-2000 PC	1
<b>15</b>	90011-155	Screw #6-32 X .31 Ph Pan SS	4
<b>16</b>	76001-150	Enclosure F-2000 Panel Mount	1

Item	Model No.	Product Name	Qty. Req.
<b>17</b>	90006-593	Gasket F-2000 1/4 Din Panel Mount	1
<b>18</b>	90008-331	Cap Plug P-48 1/2 Npt Red F-2000	1
<b>19</b>	71000-294	Kit F-2000 1/4 Din Panel Mount	1
<b>20</b>	71000-730	Connector Liquid-Tight 1/2 In.	2
<b>21</b>	70000-589	Connector Liquid-Tight 3/4 In.	1
<b>22</b>	90008-332	Plug 1/2 In.	2
<b>23</b>	90008-340	Cap Plug Vtp-25 Red	1
<b>24</b>	90011-038	Stud Screw #10-32 1.62 Long	2
<b>25</b>	90011-092	Star Washer #10-32	2
<b>26</b>	90011-026	Hex Nut #10-32	2
<b>27</b>	90008-333	Plug 7/8 In.	1
<b>28</b>	90013-261	Foam Pad 1/4 In. Thick	1

## F-1000 & F-2000 Pipe Fittings

### Polypropylene Molded In-Line Pipe Fittings -

Pipe Size	GPM Range	LPM Range	Max. PSI Drop	Model Number	
				American M/NPT	British Pipe M/BSPT
3/8"	.8 - 8	3 - 30	2.3	38M1	38MB1
3/8"	.4 - 4	1 - 10	8.7	38M2	38MB2
1/2"	2 - 20	7 - 70	3.5	50M1	50MB1
3/4"	3 - 30	11 - 110	1.9	75M1	75MB1
1"	5 - 50	20 - 200	1.6	10M1	10MB1
1 1/2"	6 - 60	25 - 250	1.0	15M2	15MB2
2"	10 - 100	40 - 400	0.9	20M3	20MB3
2"	20 - 200	70 - 700	1.0	20M4	20MB4

### Pipe sizes: 3/8" - 2" M/NPT

#### MOLDED IN-LINE FEATURES

- One piece injection molded construction
- Male pipe thread In-line installation
- Polypropylene fittings for standard applications

#### MOLDED IN-LINE SPECIFICATIONS

- Max PSI** - 300 psi (20 bar) @ 70F (21C)
- Max Temp** - 200F (93C) @ 0 psi

20M3  
Polypropylene



### Standard Saddle Mount Pipe Fittings -

Pipe Size	GPM Range	LPM Range	Material	Model Number	
				Schedule 40	Schedule 80
1 1/2"	15 - 150	60 - 600	PVDF	15K4/S4	15K8/S8
2"	30 - 300	100 - 1000	PVDF	20K4/S4	20K8/S8
2 1/2"	40 - 400	150 - 1500	PVC	25A4/S4	25A8/S8
3"	60 - 600	250 - 2500	PVDF	30K4/S4	30K8/S8
4"	100 - 1000	400 - 4000	PVC	40A4/S4	40A8/S8
6"	250 - 2500	900 - 9000	PVC	60A4/S4	60A8/S8
8"	400 - 4000	1600 - 16000	PVC	80A4/S4	80A8/S8
10"	600 - 6000	2400 - 24000	PVC	100A4/S4	100A8/S8
12"	800 - 8000	3200 - 32000	PVC	120A4/S4	120A8/S8

### Pipe sizes: 1-12" (50-315mm)

#### SADDLE FEATURES

- 1 1/2" - 3" (50-90mm) injection molded PVDF
- 4" - 12" (110 - 315mm) machined PVC
- Installs on existing pipe - no other fittings required
- No added pressure drop to system

#### SADDLE SPECIFICATIONS

- Max PSI** - 300 psi (20 bar) @ 70F (21C)
- Max Temp** - (PVDF) 200F (93C) @ 0 psi  
(PVC) 140F (60C) @ 0 psi

### Metric Saddle Mount Pipe Fittings -

DIN 8062	LPM Range	Material	Model Number	
			METRIC PN10	METRIC PN16
50mm	70 - 700	PVDF	05K0/P0	05K6/P6
63mm	110 - 1100	PVDF	06K0/P0	06K6/P6
75mm	150 - 1500	PVC	07A0/P0	07A6/P6
90mm	230 - 2300	PVDF	09K0/P0	09K6/P6
110mm	350 - 3500	PVC	11A0/P0	11A6/P6
160mm	720 - 7200	PVC	16A0/P0	16A6/P6
200mm	1150 - 11500	PVC	20A0/P0	20A6/P6
250mm	1700 - 17000	PVC	25A0/P0	
315mm	2700 - 27000	PVC	31A0/P0	

15K8  
PVDF



80A4  
PVC

### PVC TEE Pipe Fittings -

Pipe Size	GPM Range	LPM Range	Material	Model Number
1"	6 - 60	25 - 250	PVC	10AT
1 1/2"	15 - 150	60 - 600	PVC	15AT
2"	30 - 300	100 - 1000	PVC	20AT
3"	60 - 600	230 - 2300	PVC	30AT



20AT  
PVC

### Pipe sizes: 1-3"

#### TEE FEATURES

- Easy to install
- No added pressure drop to system

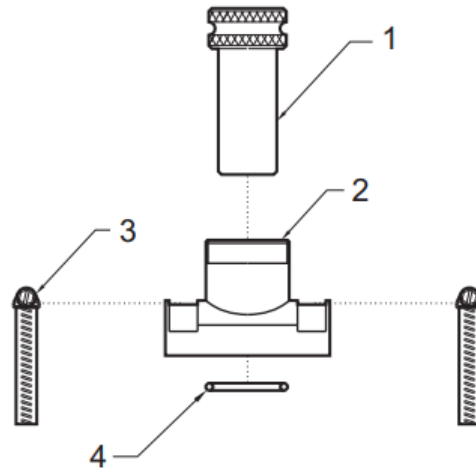
#### TEE SPECIFICATIONS

- Max PSI** - 200 psi (13.8 bar) @ 70F (21C)
- Max Temp** - 140F (60C) @ 0 psi



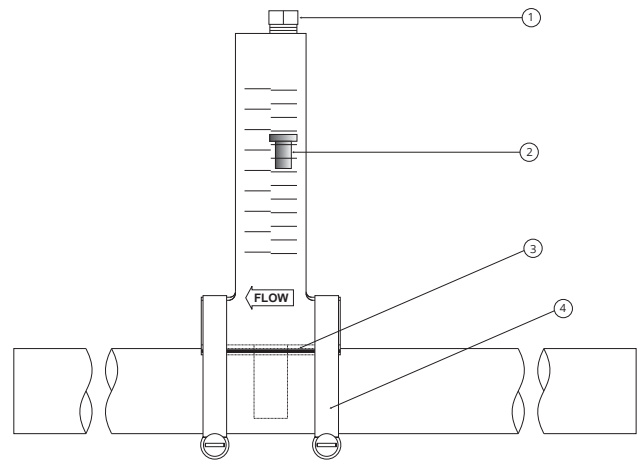
## F-1000/F-2000 Fittings Replacement Parts

Item	Model No.	Product Name	Qty. Req.	Price Ea.
<b>1</b>	76000-830	Alignment/Service Tool	1	
<b>2</b>		See Pipe Fitting Kits, page 40	1	
<b>3</b>	90008-010	Clamp #28, for 1.5" pipe	2	
	90008-137	Clamp #40, for 2" pipe	2	
	90008-014	Clamp #48, for 2.5" pipe	2	
	90008-015	Clamp #52, for 3" pipe	2	
	90008-018	Clamp #72, for 4" pipe	2	
	90008-019	Clamp #116, for 6" pipe	2	
	90008-020	Clamp #152, for 8" pipe	2	
	90008-348	Clamp #188, for 10" pipe	2	
	90008-349	Clamp #224, for 12" pipe	2	
<b>4</b>	90003-108	O-ring / FKM for 1.5", 2", 3"	1	
	90003-114	O-ring / FKM for 2.5", 4", 6", 8", 10", 12"	1	
	90003-109	O-ring / EP for 1.5", 2", 3"	1	
	90003-1135	O-ring / EP for 2.5", 4", 6", 8", 10", 12"	1	



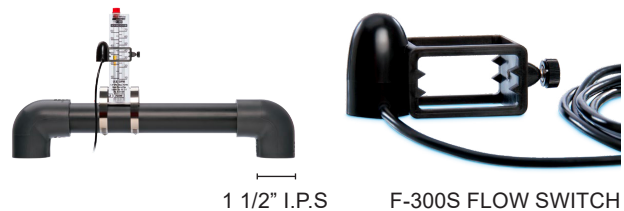
## F-300 Replacement Parts

Item	Model No.	Product Name	Qty. Req.
<b>1</b>	F-3005	Cap Plug for all F-300, D-300 & U-300	1
<b>2</b>	F-3020	Long Float, red PVDF 1" through 1.25"	1
	F-3022	Short Float, red PVDF 1.5" through 8"	1
<b>3</b>	F-3003	Gasket Seal 1" through 4"	1
	F-3004	Gasket Seal 6" through 8"	1
<b>4</b>	90008-667	Mounting Clamp F-30100P, F-30125P	2
	90008-652	Mounting Clamp F-30200P, F-30150P	2
	90008-668	Mounting Clamp F-30250P	2
	90008-015	Mounting Clamp D-30200P, U-30200P D-30150P, U-30150P	2
	90008-669	Mounting Clamp F-30300P	2
	90008-673	Mounting Clamp F-30400P	2
	90008-674	Mounting Clamp F-30600P	2
	90008-675	Mounting Clamp F-30800P	2



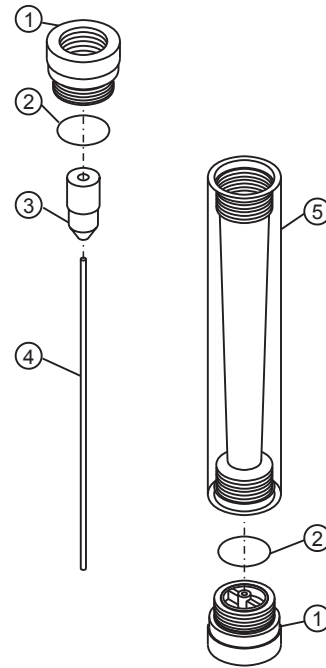
## F-300S Flow Switch

MODEL NO.	PIPE SIZES
F-300S	1" - 2"
F-300SL	2-1/2" - 4"



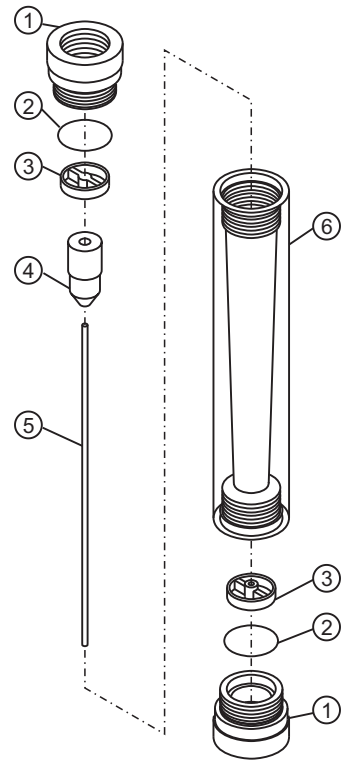
## F-400 Replacement Parts

Item	Model No.	Product Name	Qty. Req.
<b>1</b>	F-4019	1/4" FPT Adapter (PP)	2
	F-4001NS	3/8" FPT Adapter (PP)	2
	F-4003NS	1/2" FPT Adapter (PP)	2
<b>2</b>	90003-119	O-ring, 117, (Viton)	2
<b>3</b>	-	Float (SS)	1
<b>4</b>	F-4004	Guide wire, (SS)	1
<b>5</b>	-	Meterbody (Acrylic)	1



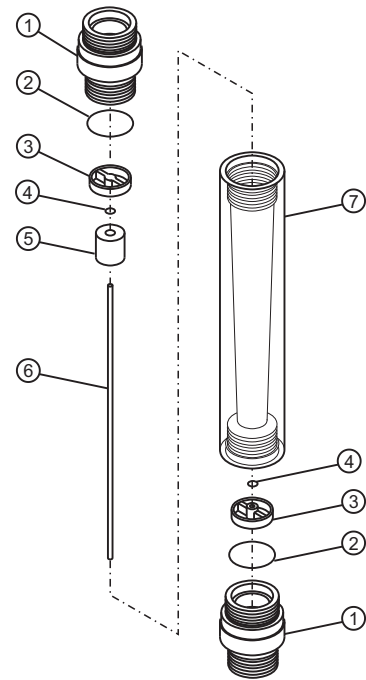
## F-410 Replacement Parts

Item	Model No.	Product Name	Qty. Req.
<b>1</b>	F-4009N	3/4" FPT Adapter (PP)	2
	F-4011	1" FPT Adapter (PP)	2
<b>2</b>	F-4010K	O-ring, 127 (Viton)	2
<b>3</b>	F-4013PP	Wire holder (PP)	2
<b>4</b>	-	Float (SS)	1
<b>5</b>	F-4012	Guide Wire (SS)	1
<b>6</b>	-	Meterbody (Acrylic)	1



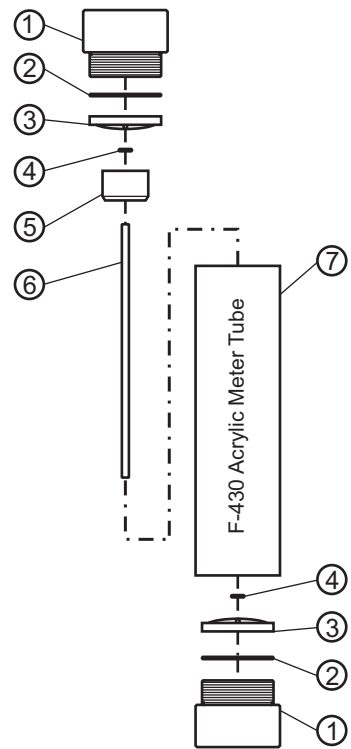
## F-420 Replacement Parts

Item	Model No.	Product Name	Qty. Req.
<b>1</b>	76001-028	1.0" FPT Adapter (PVC)	2
	76001-026	1.5" MPT Adapter (PVC)	2
<b>2</b>	2-127V	O-ring (Viton)	2
<b>3</b>	91001-159	Wire holder (PSF)	2
<b>4</b>	2-006A	O-ring (Aflas)	2
<b>5</b>	-	Float (SS)	1
<b>6</b>	F-4212	Guide Wire (SS)	1
<b>7</b>	-	Meterbody (Acrylic)	1



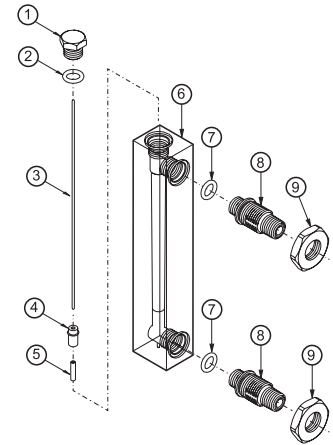
## F-430 Replacement Parts

Item	Model No.	Product Name	Qty. Req.
<b>1</b>	76001-226	1.5" female NPT adapter (PVC)	2
	76001-216	2" female NPT adapter (PVC)	2
<b>2</b>	90003-118	O-ring (Viton)	2
<b>3</b>	91001-198	Wire Holder (PSF)	2
<b>4</b>	90003-140	O-ring (Aflas)	2
<b>5</b>	-	Float (SS)	1
<b>6</b>	90007-626	Guidewire (SS)	1
<b>7</b>	-	Meterbody (Acrylic)	1

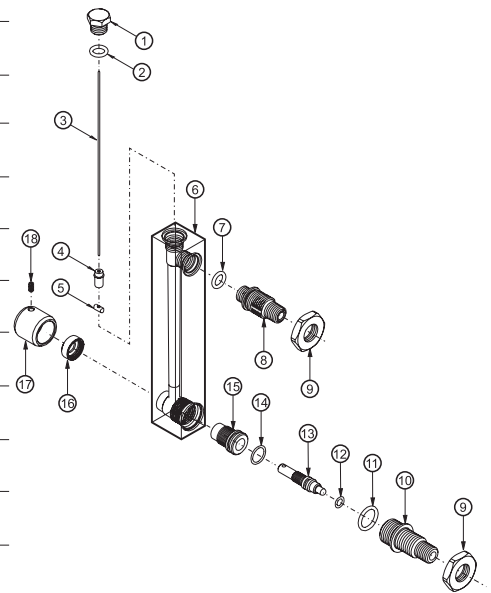


## F-550 Replacement

Item	Product Name	F-55250L	F-5537-5L F-5537-6L	F-55500L	F-55750L	F-55005L	Qty. Req.
						F-55010L F-55015L F-55200L	
1	Cap	76001-080	91001-032	91001-032	91001-033	91001-160	1
2	O-ring (cap)	90003-072	90003-081	90003-081	90003-082	90003-079	1
3	Guide wire	90007-634	90007-534	90007-534	90007-535	90007-606	1
4	Float	-	-	-	-	-	1
5	Float stop bottom	-	-	-	-	-	1
6	Body	-	-	-	-	-	1
7	O-ring (adapter)	90003-072	90003-034	90003-034	90003-081	90003-110	2
8	Adapter	76001-079	91001-141	91001-142	91001-143	91001-144	2
9	Lock nut	91001-153	91001-153	91001-154	91001-171	91001-172	2

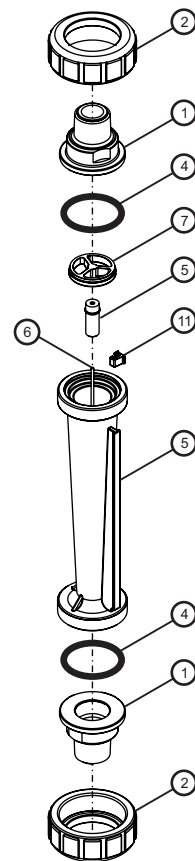


Item	Product Name	F-55250LA	F-55375LA F-55376LA	F-55500LA	F-55750LA	F-55005LA	Qty. Req.
						F-55010LA F-55015LA F-55200LA	
1	Cap	76001-080	91001-032	91001-032	91001-033	91001-160	1
2	O-ring (cap)	90003-072	90003-081	90003-081	90003-082	90003-079	1
3	Guide wire	76001-108	76001-109	76001-109	76001-110	76000-111	1
4	Float	-	-	-	-	-	1
5	Float stop bottom	-	-	-	-	-	1
6	Body	-	-	-	-	-	1
7	O-ring (adapter)	90003-072	90003-034	90003-034	90003-081	90003-110	1
8	Adapter	76001-079	91001-141	91001-142	91001-143	91001-144	1
9	Lock nut	91001-153	91001-153	91001-154	91001-171	91001-172	2
10	Inlet Adapter	76001-153	91001-173	91001-174	91001-175	91001-176	1
11	O-ring, inlet adapter	90003-034	90003-045	90003-045	90003-110	90003-082	1
12	O-ring, valve stem	90003-004	90003-010	90003-010	90003-072	90003-113	1
13	Valve stem	76001-082	76001-088	76001-088	76001-094	76001-104	1
14	O-ring, valve body	90003-014	90003-081	90003-081	90003-017	90003-021	1
15	Valve body	76001-081	76001-086	76001-086	76001-093	76001-103	1
16	Retainer cap	76001-084	76001-090	76001-090	76001-095	76001-106	1
17	Knob valve	76001-083	76001-089	76001-089	76001-097	76001-105	1
18	Set screw	90011-056	90011-117	90011-117	90011-117	90011-117	1



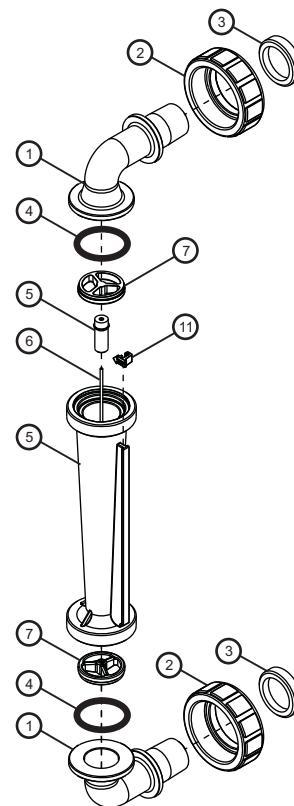
## F-440 (In-Line) Replacement Parts

Item	Model No.	Product Name	Qty. Req.
<b>1</b>	F-44N07	3/8" Male NPT in-line adapter, Polysulfone	2
	F-44N08	1/2" Male NPT in-line, Polysulfone	2
	F-44N09	3/4" Male NPT in-line, Polysulfone, large body	2
	F-45N013	1/2" Male NPT in-line, Polysulfone, large body	2
<b>2</b>	F-44N05	3/8" and 1/2" Half Union, Nylon	2
	F-44N06	3/4" Half Union, Nylon	2
<b>4</b>	90003-152	3/8" and 1/2" O-ring seal, Viton	2
	90003-082	3/4" O-ring seal, Viton	2
<b>5</b>	N/A	Meterbody and Float not sold separately	1
<b>6</b>	F-44N14	3/8" and 1/2" Guide Rod, 316 Stainless Steel	1
	F-44N15	3/4" Guide Rod, 316 Stainless Steel	1
<b>7</b>	F-45N007	1/2" Guide Rod holder, Polysulfone	2
	F-45N019	3/4" Guide Rod holder, Polysulfone	2
<b>11</b>	F-45N043	Indicator, Red	1



## F-440E Elbow (Panel Mount) Replacement Parts

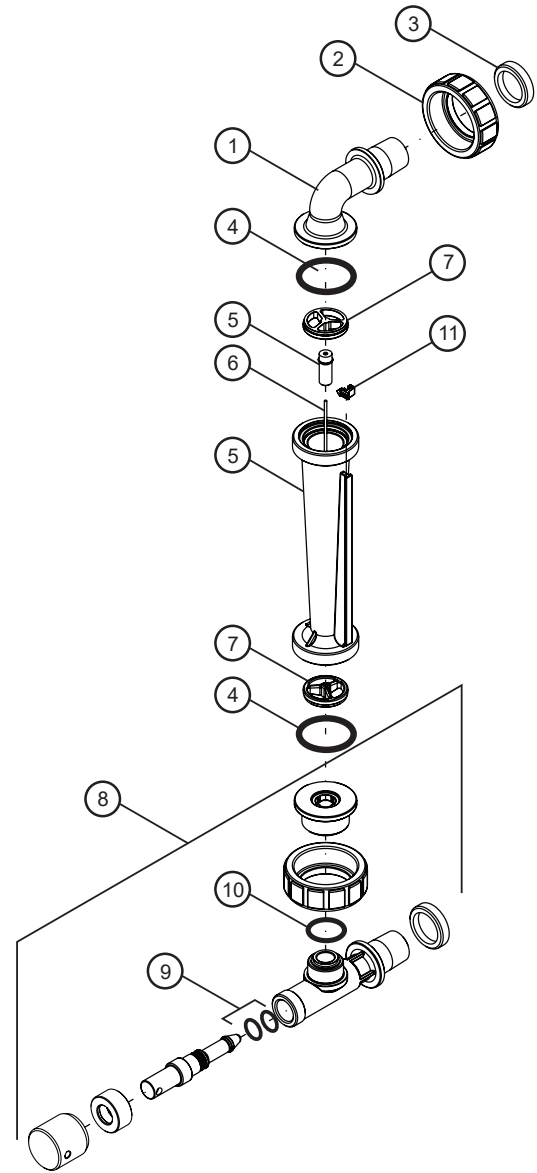
Item	Model No.	Product Name	Qty. Req.
<b>1</b>	F-44N40	3/8" Male NPT 90° Elbow, Polysulfone	2
	F-44N20	1/2" Male NPT 90° Elbow, Polysulfone	2
	F-44N21	3/4" Male NPT 90° Elbow, Polysulfone	2
	F-44N42	1/2" Male NPT 90° Elbow, Polysulfone	2
<b>2</b>	F-44N05	3/8" and 1/2" Half Union, Nylon	2
	F-44N06	3/4" Half Union, Nylon	2
<b>3</b>	F-4427A	3/8" and 1/2" Panel mount lock nut	2
	F-4428A	3/4" Panel mount lock nut	2
<b>4</b>	90003-152	3/8" and 1/2" O-ring seal, FKM	2
	90003-082	3/4" O-ring seal, FKM	2
<b>5</b>	N/A	Meterbody and Float (sold together)	1
<b>6</b>	F-44N14	3/8" & 1/2" Guide Rod, 316 SS	1
	F-44N15	3/4" Guide, 316 SS	1
<b>7</b>	F-45N007	1/2" Guide Rod holder, Polysulfone	2
	F-45N019	3/4" Guide Rod holder, Polysulfone	2
<b>11</b>	F-45N043	Indicator, Red	1





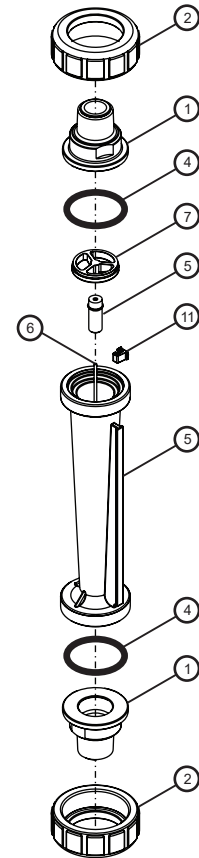
## F-440A - Adjustable (Panel Mount)

Item	Model No.	Product Name	Qty. Req.
<b>1</b>	F-44N40	3/8" Male NPT 90° Elbow, Polysulfone	2
	F-44N20	1/2" Male NPT 90° Elbow, Polysulfone	2
	F-44N21	3/4" Male NPT 90° Elbow, Polysulfone	2
	F-44N42	1/2" Male NPT 90° Elbow, Polysulfone	2
<b>2</b>	F-44N05	3/8" and 1/2" Half Union, Nylon	2
	F-44N06	3/4" Half Union, Nylon	2
<b>3</b>	F-4427A	3/8" and 1/2" Panel mount lock nut	2
	F-4428A	3/4" Panel mount lock nut	2
<b>4</b>	90003-152	3/8" and 1/2" O-ring seal, FKM	2
	90003-082	3/4" O-ring seal, FKM	2
<b>5</b>	N/A	Meterbody and Float (sold together)	1
<b>6</b>	F-44N14	3/8" & 1/2" Guide Rod, 316 SS	1
	F-44N15	3/4" Guide Rod, 316 SS	1
<b>7</b>	F-45N007	1/2" Guide Rod holder, Polysulfone	2
	F-45N019	3/4" Guide Rod holder, Polysulfone	2
<b>8</b>	F-44N40-1	3/8" M/NPT Valve Assm. Sm, Poly, FKM seal	1
	F-44N40-2	1/2" M/NPT Valve Assm. Sm, Poly, FKM seal	1
	F-45N031-1	3/8" M/NPT Valve Assm. Lg, Poly, FKM seal	1
	F-45N031-2	1/2" M/NPT Valve Assm. Lg, Poly, FKM seal	1
	F-45N031-3	3/4" M/NPT Valve Assm. Lg, Poly, FKM seal	1
<b>9</b>	90003-010	O-Ring, FKM	2
<b>10</b>	90003-071	O-Ring, FKM	1
<b>11</b>	F-45N043	Indicator, Red	1



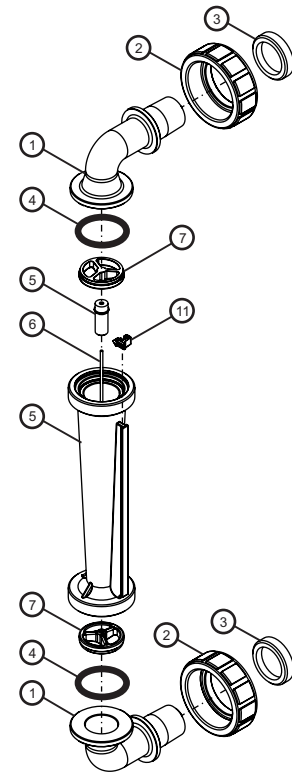
## F-450 (In-Line) Replacement Parts

Item	Model No.	Product Name	Qty. Req.
<b>1</b>	F-45N011-2	3/8" Male NPT in-line adapter, Polysulfone	2
	F-45N013	1/2" Male NPT in-line, Polysulfone	2
	F-44N09	3/4" Male NPT in-line, Polysulfone	2
<b>2</b>	F-44N06	3/4" Half Union, Nylon	2
<b>4</b>	90003-082	3/4" O-ring seal, Viton	2
<b>5</b>	N/A	Meterbody and Float not sold separately	1
<b>6</b>	F-45N005	F-45375, F-45376, F-45500 Guide Rod 316 SS	1
	F-45N021	F-45750 Guide Rod, 316 SS	1
<b>7</b>	F-45N019	Guide Rod holder, Polysulfone	2
<b>11</b>	F-45N043	Indicator, Red	1



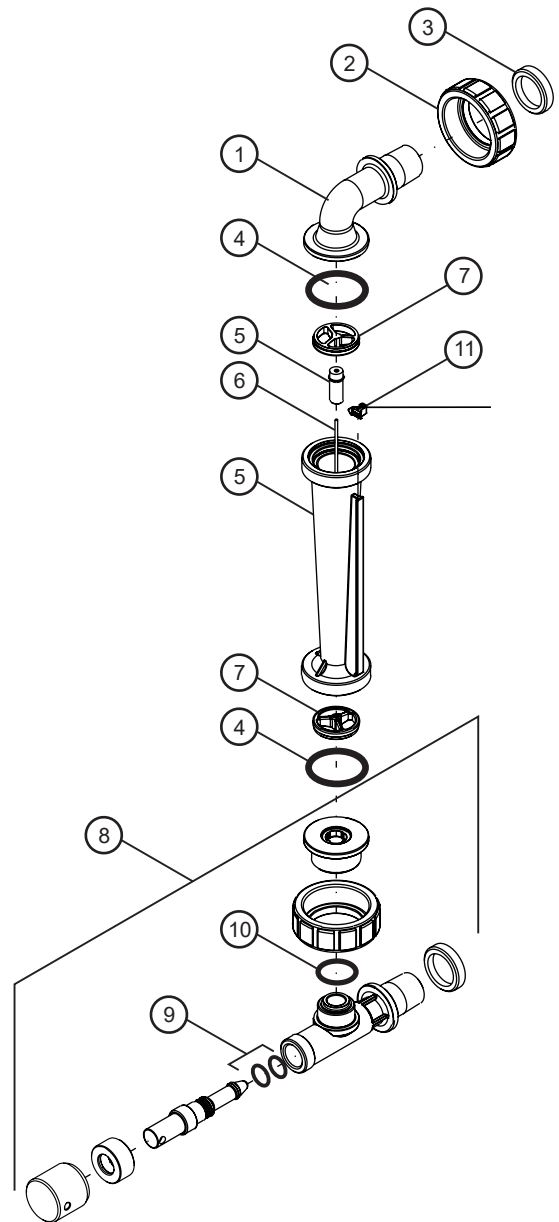
## F-450NE Elbow (Panel Mount) Replacement Parts

Item	Model No.	Product Name	Qty. Req.
<b>1</b>	F-44N41	3/8" Male NPT 90° Elbow, Polysulfone	2
	F-44N42	1/2" Male NPT 90° Elbow, Polysulfone	2
	F-44N21	3/4" Male NPT 90° Elbow, Polysulfone	2
<b>2</b>	F-44N06	3/4" Half Union, Nylon	2
<b>3</b>	F-4427A	3/8" and 1/2" Panel mount lock nut	2
	F-4428A	3/4" Panel mount lock nut	2
<b>4</b>	90003-082	O-ring seal, Viton	2
<b>5</b>	N/A	Meterbody and Float not sold separately	1
<b>6</b>	F-45N005	45375, F-45376, F-45500 Guide Rod 316 SS	1
	F-45N021	F-45750 Guide Rod, 316 SS	1
<b>7</b>	F-45N007	3/8" and 1/2" Guide Rod holder, Polysulfone	1
<b>7</b>	F-45N019	3/4" Guide Rod holder, Polysulfone	2
<b>11</b>	F-45N043	Indicator, Red	1



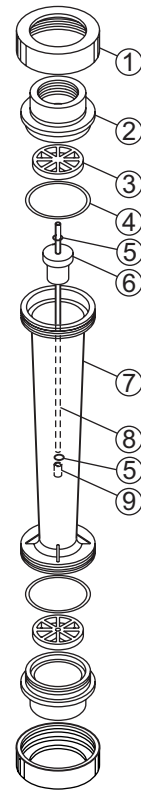
## F-450NA Adjustable (Panel Mount)

Item	Model No.	Product Name	Qty. Req.
<b>1</b>	F-44N41	3/8" Male NPT 90° Elbow, Polysulfone	1
	F-44N42	1/2" Male NPT 90° Elbow, Polysulfone	1
	F-44N21	3/4" Male NPT 90° Elbow, Polysulfone	1
<b>2</b>	F-44N06	3/4" Half Union, Nylon	1
<b>3</b>	F-4427A	3/8" and 1/2" Panel mount lock nut	1
	F-4428A	3/4" Panel mount lock nut	1
<b>4</b>	90003-082	O-ring seal, Viton	2
<b>5</b>	N/A	Meter body and Float not sold separately	1
<b>6</b>	F-45N005	F-45375, F-45376, F-45500 Guide Rod, 316 SS	1
	F-45N021	F-45750 Guide Rod, 316 SS	1
<b>7</b>	F-45N019	Guide Rod holder, Polysulfone	2
<b>8</b>	F-45N031-1	3/8" M/NPT Valve Assm. large, Poly, Viton Seals	1
	F-45N031-2	1/2" M/NPT Valve Assm. large, Poly, Viton Seals	1
	F-45N031-3	3/4" M/NPT Valve Assm. large, Poly, Viton Seals	1
<b>9</b>	90003-010	O-ring, Viton	2
<b>10</b>	90003-071	O-ring, Viton	2
<b>11</b>	F-45N043	Indicator, Red	1



## F-451 Replacement Parts

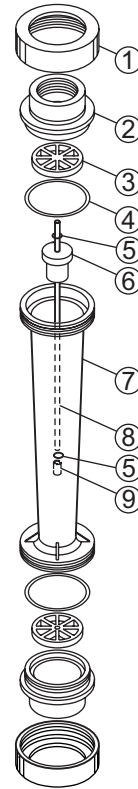
Item	Model No.	Product Name	Qty. Req.
<b>1</b>	F-45038N	Union Nut	2
<b>2</b>	F-45030N	Adapter, vertical, 1" F/NPT (PSF)	2
	F-45036	Adapter, vertical, 1-1/2" M/NPT (PVC)	2
<b>3</b>	F-45025	Wireholder 1-10, 2-20 (PSF)	2
	F-45025-2	LG Wireholder 3-30, 4-40 (PSF)	2
<b>4</b>	2-136V	O-Ring 2-136 (Viton)	2
<b>5</b>	2-006A	Float Stop .5-6, 1-10, 2-20 (Aflas)	1
	2-008V	Large Float Stop, 3-30, 4-40 (Aflas)	2
<b>6</b>	-	Float (SS)	1
<b>7</b>	-	Meterbody (PSF)	1
<b>8</b>	F-45028	Guide Wire, .5-6, 1-10, 2-20, (SS)	1
	F-45028-2	Guide Wire, 3-30, 4-40 (SS)	1
<b>9</b>	F-45046	Wireholder Bottom (PSF)	1



## F-452 Replacement Parts

Item	Model No.	Product Name	Qty. Req.
1	F-452004N	Union Nut (Nylon)	2
2	F-452330N	2.0" FNPT Adapter (PSF)	2
3	F-452002	Wireholder (PSF)	2
4	F-452043N	O-ring (Viton)	2
5	-	Float (SS)	1
6	-	Meterbody (PSF)	1
7	F-452287N	Guide Wire (SS)	1
8	F-452332	Float Stop (Polyethylene)	1

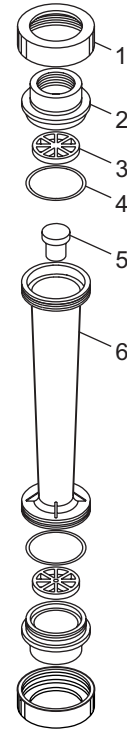
Note: Float and Body only provided with new units.



## F-460 Replacement Parts

Item	Model No.	Product Name	Qty. Req.
<b>1</b>	76001-012	Union Nut (PVC)	2
	90007-158	Union Nut (ALUM)	2
<b>2</b>	76001-037	.50" FPT Adapter (PVC)	2
	76001-004	.50" FPT Adapter (PVDF)	2
	76001-042	.75" FPT Adapter (PVC)	2
	76000-982	.75" FPT Adapter (PVDF)	2
<b>3</b>	91001-146	Float Stop (PSF)	2
<b>4</b>	90003-023	O-ring (Viton)	1
<b>5</b>	-	Float (PTFE)	1
<b>6</b>	-	Body (PSF)	1

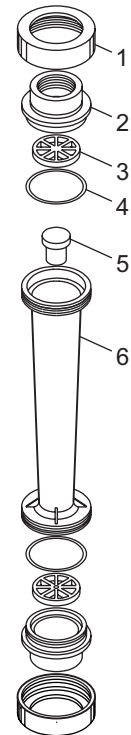
Note: Float and Body only provided with new units.



## F-461 Replacement Parts

Item	Model No.	Product Name	Qty. Req.
<b>1</b>	76001-330	Union Nut (PVC)	2
	90007-640	Union Nut (ALUM)	2
<b>2</b>	76001-260	1.0" FPT Adapter (PVC)	2
	76001-259	1.0" FPT Adapter (PVDF)	2
<b>3</b>	91001-159	Float Stop (PSF)	2
<b>4</b>	90003-134	O-ring (Viton)	1
<b>5</b>	-	Float (PTFE)	1
<b>6</b>	-	Body (PSF)	1

Note: Float and Body only provided with new units.

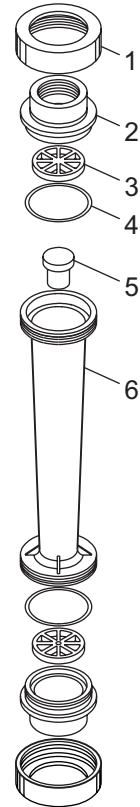




## F-462 Replacement Parts

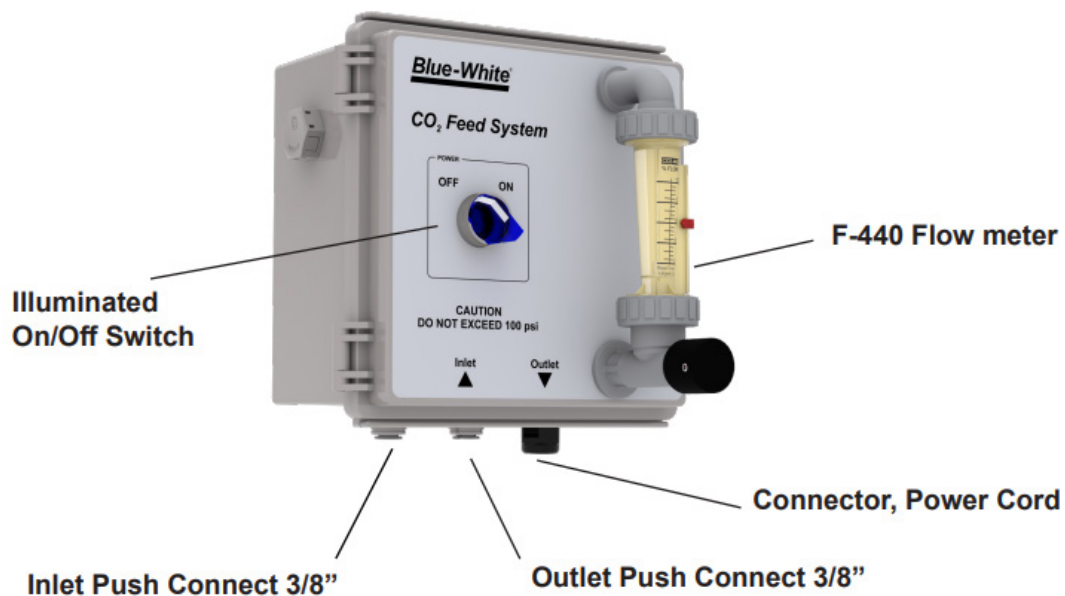
Item	Model No.	Product Name	Qty. Req.
<b>1</b>	F-452004N	Union Nut (Nylon)	2
<b>2</b>	F-452330N	2.0" Adapter FNPT (PSF)	2
<b>3</b>	F-452002	Float Stop (PSF)	2
<b>4</b>	F-452043N	O-Ring (Viton)	2
<b>5</b>	-	Float (PTFE)	2
<b>6</b>	-	Meterbody (PSF)	1

Note: Float and Body only provided with new units.



## CO<sub>2</sub> Feed System Replacement Parts

Item	Part No.	Description	Qty. Req.
1	90010-731	On/Off Switch, Illuminated	1
2	71010-935	F-440 Flow Meter	1
3	90018-022	3/8 in. Polyurethane Tubing, 10 ft	1
4	90018-010	Push Connector, Elbow	2
5	90010-733	Solenoid Valve, SS	1
6	90010-110	Power Cord, 6 ft	1
7	90008-035	Connector, Liquid Tight, Power Cord	1
8	90018-009	Push Connector, Inlet/Outlet	2



**Notes:**

